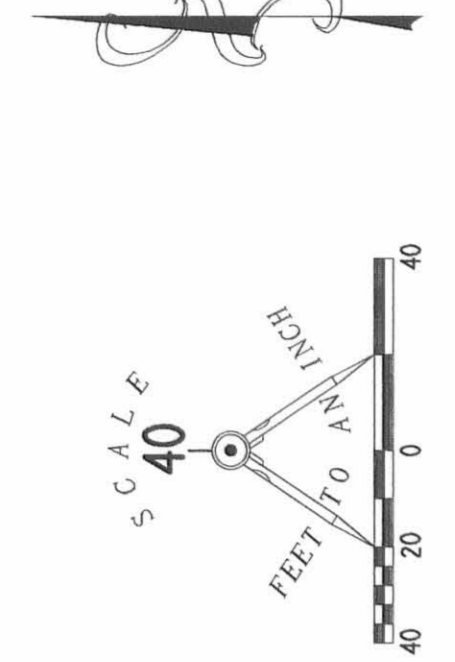




CURVE	DELTA ANGLE	RADIUS	ARC	TANGENT	CHORD	CHORD BEARING
C 1	20°11'35"	120.00'	42.29'	21.37'	42.07'	N 06°51'36"E
C 2	24°03'24"	105.00'	44.09'	22.37'	43.76'	N 04°55'42"E
C 5	24°03'24"	60.00'	25.19'	12.78'	25.01'	N 85°04'18"W
C 6	90°00'00"	25.00'	39.27'	25.00'	35.36'	N 52°06'00"W
C 7	40°00'00"	25.00'	17.45'	9.10'	17.10'	N 27°06'00"W
C 8	40°00'00"	25.00'	17.45'	9.10'	17.10'	N 27°06'00"W
C 9	90°00'00"	25.00'	39.27'	25.00'	35.36'	N 37°54'00"E
C 10	90°00'01"	33.00'	51.84'	33.00'	46.67'	N 52°06'00"W



LEGEND

- 5/8" IRON ROD SET W/ PLASTIC I.D. CAP STAMPED "LEE P56559"
- 5/8" IRON ROD FOUND
- ⊕ 3/4" IRON ROD FOUND
- 1 1/4" METAL PIPE FOUND
- ⊗ 1" IRON BAR FOUND
- 1/2" METAL PIPE FOUND
- ⚡ RAILROAD SPIKE SET
- ⊕ P.K. NAIL W/ SHINER FOUND
- ⊕ MAG NAIL SET
- ⊕ 3/4" SQUARE IRON BAR FOUND
- ⊕ SANITARY SEWER MANHOLE
- ⊕ SANITARY SEWER CLEAN-OUT
- ▨ LIMITED COMMON AREA
- ① UNIT NUMBERS

T & C FARM, INC.
1.35 ACRES
O.R. 74, PG. 948, TRACT III

T & C FARM, INC.
3.00 ACRES
O.R. 74, PG. 948, TRACT II

HARRY R. BROOKS
1.06 ACRES
O.R. 86, PG. 200

BEATRICE W. ARNOLD
0.9 ACRES
O.R. 186, PG. 403

EASEMENTS DRAWING

SNUG HARBOR CONDOMINIUM

AT DUNN'S POND

AMENDMENT NUMBER 3
6.830 ACRES
VIRGINIA MILITARY SURVEY 9925-9946-10121
PLAT CABINET B, SLIDES 49B-50B
WASHINGTON TOWNSHIP
LOGAN COUNTY, OHIO

ALL OF THE
DUNN'S POND ASSOCIATES, LTD.
ORIGINAL 6.830 ACRES
OFFICIAL RECORD 272, PAGE 238