

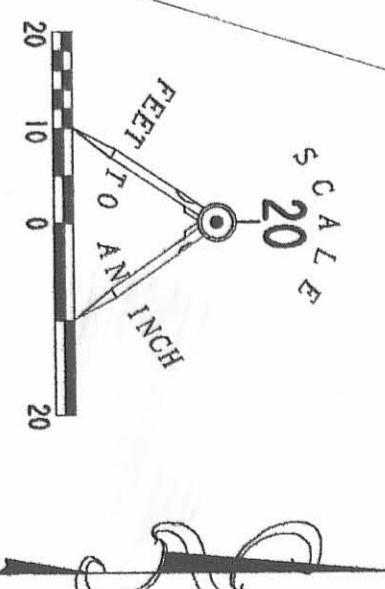
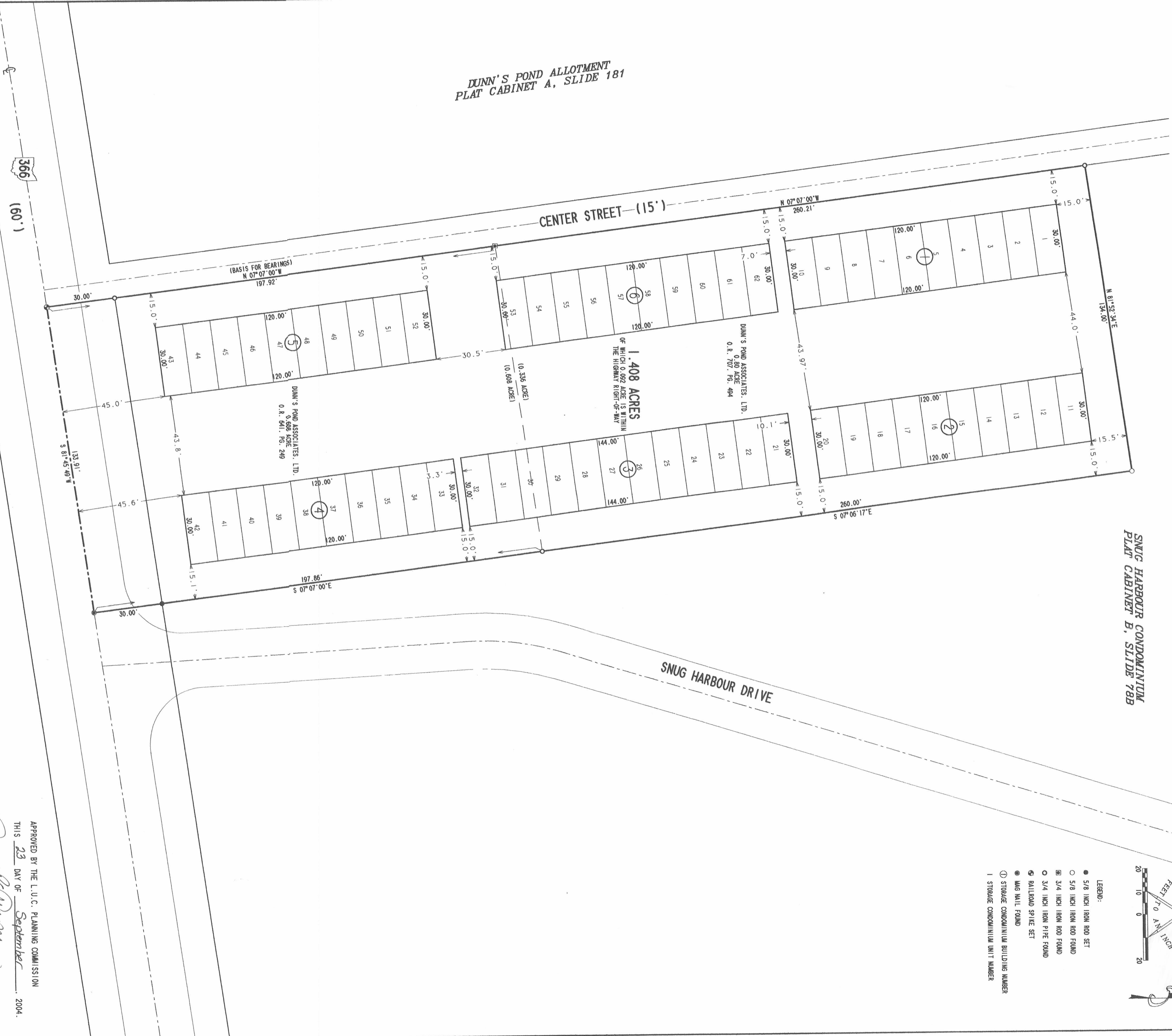
EXHIBIT 'C'

SNUG COVE STORAGE CONDOMINIUM BUILDINGS 1 THROUGH 6 - UNITS 1 THROUGH 62

VIRGINIA MILITARY SURVEY 9925-9946-10121 - WASHINGTON TOWNSHIP - LOGAN COUNTY - OHIO
ALL OF THE DUNN'S POND ASSOCIATES, LTD. 0.608 ACRE TRACT - OFFICIAL RECORD 641, PAGE 249
ALL OF THE DUNN'S POND ASSOCIATES, LTD. 0.80 ACRE TRACT - OFFICIAL RECORD 707, PAGE 494

SNUG HARBOUR CONDOMINIUM
PLAT CABINET B, SLIDE 78B

DUNN'S POND ALLOTMENT
PLAT CABINET A, SLIDE 181



- LEGEND:
- 5/8 INCH IRON ROD SET
 - 5/8 INCH IRON ROD FOUND
 - ⊗ 3/4 INCH IRON ROD FOUND
 - ⊕ 3/4 INCH IRON PIPE FOUND
 - ⊙ RAILROAD SPRKE SET
 - ⊙ MAG NAIL FOUND
 - ① STORAGE CONDOMINIUM BUILDING NUMBER
 - 1 STORAGE CONDOMINIUM UNIT NUMBER

ENGINEER'S CERTIFICATION:
I DO HEREBY CERTIFY THAT THIS PLANNING ACCURATELY REFLECTS THE BUILDINGS AS BUILT OR CONSTRUCTED.

SURVEYOR'S CERTIFICATION:
I DO HEREBY CERTIFY THAT SURVEY OF SNUG COVE STORAGE CONDOMINIUM ACCURATELY REFLECTS THE LOCATION OF IMPROVEMENTS AND RECORDED EASEMENTS.

Michael W. Brou
MICHAEL W. BROW
PROFESSIONAL ENGINEER 38880
SEPTEMBER 3, 2004
THE M. & K. ENGINEERING CO.
STATE OF OHIO
RUSSELLS POINT, OHIO 43348
(937) 642-2698

Jeffrey A. Lee
JEFFREY A. LEE
PROFESSIONAL SURVEYOR 6359
SEPTEMBER 3, 2004
LEE SURVEYING & MAPPING CO., INC.
1717 North Medinger Street
BELLEFONTAINE, OHIO 43311
(937) 593-7355



APPROVED BY THE L.U.C. PLANNING COMMISSION
THIS 23 DAY OF September, 2004.

Janet R. Mann
DIRECTOR, PLANNING COMMISSION
9-17-04

PRE-APPROVAL *Jan. C.H.S.* 9-28-04

PLAT CHECKED *Jan. C.H.S.* 9-28-04

TRANSMITTED THIS 28th DAY OF September, 2004.

AUDITOR: *Michelle E. Greiner*
LOGAN COUNTY, OHIO

RECORDED IN PLAT CABINET B, SLIDE 92B
RECEIVED FOR RECORD AT 8:54 O'CLOCK P.M.
THIS 28th DAY OF September, 2004.

Janet R. Mann
RECORDER, LOGAN COUNTY, OHIO

2 WORKING DAYS
BEFORE YOU DIG 800-362-2764
CALL TOLL FREE

NOTE:
1. THE WORD "CERTIFY" IS INTENDED TO BE AS DEFINED IN OHIO ADMINISTRATIVE CODE 4733-35-04(C).
2. WORKING DAYS BEFORE YOU DIG 800-362-2764

20040928