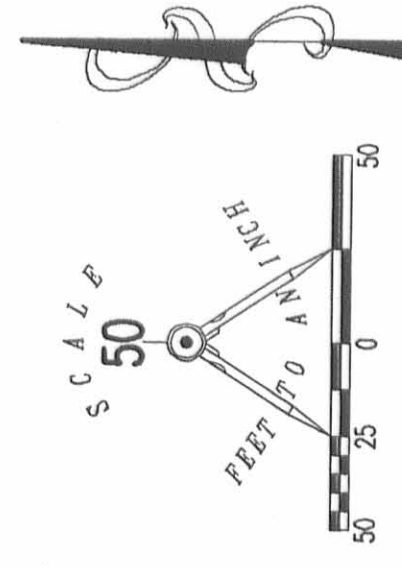
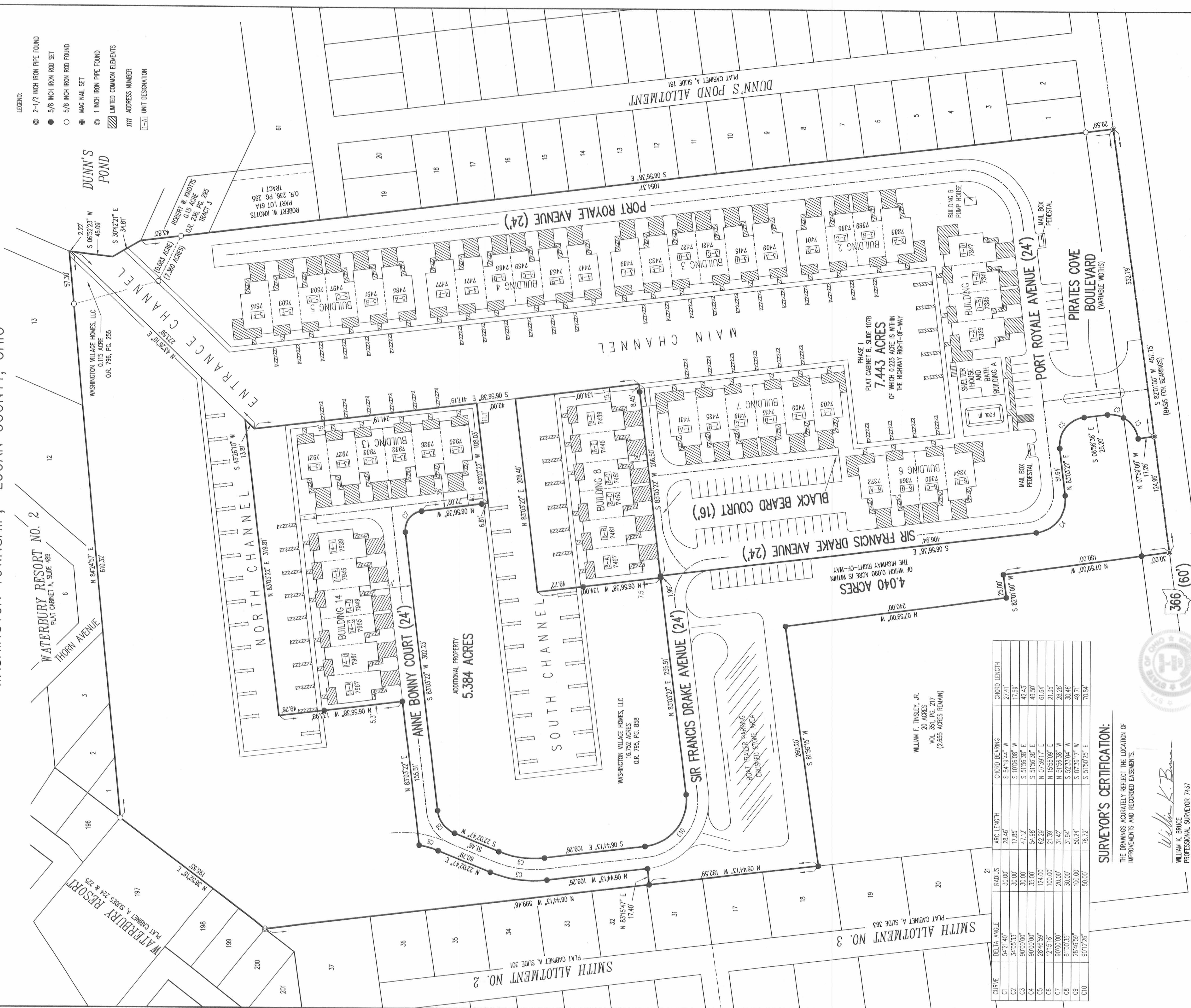


EXHIBIT B TO DECLARATION AND BYLAWS OF PIRATE'S COVE AT INDIAN LAKE CONDOMINIUM PHASE II

16.752 ACRE TRACT, OFFICIAL RECORD 795, PAGE 858
 0.115 ACRE TRACT, OFFICIAL RECORD 796, PAGE 255
 VIRGINIA MILITARY SURVEYS 10121, 9946 AND 9925
 WASHINGTON TOWNSHIP, LOGAN COUNTY, OHIO



- LEGEND:
- 2-1/2 INCH IRON PIPE FOUND
 - 5/8 INCH IRON ROD SET
 - 5/8 INCH IRON ROD FOUND
 - MAG NAIL SET
 - 1 INCH IRON PIPE FOUND
 - ▨ LIMITED COMMON ELEMENTS
 - 1111 ADDRESS NUMBER
 - [-A] UNIT DESIGNATION



CURVE	DELTA ANGLE	RADIUS	ARC LENGTH	CHORD BEARING	CHORD LENGTH
C1	54°21'40"	30.00'	28.46'	S 54°19'44" W	27.41'
C2	34°05'33"	30.00'	17.85'	S 10°06'08" W	17.59'
C3	90°00'00"	30.00'	47.12'	S 51°56'38" E	42.43'
C4	90°00'00"	35.00'	54.95'	S 51°56'38" E	48.50'
C5	28°46'59"	124.00'	62.29'	N 07°39'17" E	61.64'
C6	12°15'16"	100.00'	21.39'	N 15°55'09" E	21.35'
C7	90°00'00"	20.00'	31.42'	N 51°56'38" E	28.28'
C8	81°00'35"	30.00'	50.24'	S 52°33'04" W	30.46'
C9	28°46'59"	100.00'	50.24'	S 07°39'17" W	48.71'
C10	90°12'26"	50.00'	78.72'	S 51°50'25" E	70.84'

SURVEYOR'S CERTIFICATION:

THE DRAWINGS ACCURATELY REFLECT THE LOCATION OF IMPROVEMENTS AND RECORDED EASEMENTS.

William K. Bruce
 WILLIAM K. BRUCE
 PROFESSIONAL SURVEYOR 7437
 SEPTEMBER 14, 2007

COPYRIGHT 2007 BY:
 LEE SURVEYING & MAPPING CO., INC.
 BELLEFONTAINE, OHIO 43311
 (937) 583-7335

ARCHITECT'S CERTIFICATION:

THE DRAWINGS ACCURATELY SHOW EACH BUILDING AS-BUILT OR CONSTRUCTED.

Alexander Lique
 ALEXANDER LIQUE
 PROFESSIONAL ARCHITECT OHIO 5082
 SEPTEMBER 14, 2007

2 WORKING DAYS
BEFORE YOU DIG
 CALL TOLL FREE 800-362-2764
OHIO UTILITIES PROTECT OR SERVICE.

NOTES:

1. EASEMENTS IF SHOWN ARE AS PROVIDED BY DEVELOPER. THE SURVEYOR DID NOT SEARCH FOR ADDITIONAL EASEMENTS.
2. THE WORD "CERTIFY" IS INTENDED TO BE AS DEFINED IN OHIO ADMINISTRATIVE CODE 4133-35-04(C).
3. BUILDING HEIGHT FROM PEAK OF ROOF TO GROUND:
 BUILDING 8 IS 32.0'
 BUILDING 13 IS 30.7'
 BUILDING 14 IS 28.7'

PRE-APPROVAL *John C. L...* 10-3-07
 PLAT CHECKED *John C. L...* 10-10-07
 TRANSFERRED THIS 10th DAY OF October, 2007
Nicholas E. Groden
 AUDITOR, LOGAN COUNTY, OHIO
 RECORDED IN PLAT CABINET B, SLIDE 111B
 RECEIVED FOR RECORD AT 10:21 O'CLOCK A.M.
 THIS 10th DAY OF October, 2007
Sandra Hanson
 RECORDER, LOGAN COUNTY, OHIO