

SCALE 1" TO 10'  
 SURVEY NOTES LOGAN  
 COUNTY SURVEYORS  
 BOOK 479  
 SURVEYED JUNE 1929  
 W. F. Wright C.E.

B.M. TOP OF FIRE PLUG  
 S.E. COR. HAYES & COLUMBUS.  
 G.M. ELEV. 1305.54

(1122) 1P  
 INDEXED ON MAP

KNIGHT SURVEY  
 BELLEFONTAINE OHIO

SEE FRONT COUNTER DRAWER FOR ORIGINAL

REV'D 9-11-12 SMJ OK

# Lee Surveying and Mapping Co., Inc.

Land Surveys • Topography • Subdivisions • Construction Layout

117 N. Madriver St.  
Bellefontaine OH 43311



Phone: (937) 593-7335  
Fax: (937) 593-7444  
surveys@lsminc.us

## NULL REVISED INGRESS/EGRESS EASEMENT AND RIGHT-OF-WAY

Lying in Virginia Military Survey 4990, City of Bellefontaine, Lake Township, Logan County, Ohio.

Being a revised ingress/egress easement and right-of-way over a portion of the Susie N. Null 0.620 acre tract as deeded and described in Official Record 770, Page 413 of the Logan County Records of Deeds and being more particularly described as follows:

Commencing on a 5/8 inch iron rod found on the intersection of the north right-of-way of Columbus Avenue (60 feet wide) and the east right-of-way of Hayes Street (40 feet wide).

THENCE, with the north right-of-way of Columbus Street, S 82°-39'-24"E, a distance of 77.99 feet to a 5/8 inch iron rod found.

THENCE, with the west line of the Citizens Federal Savings and Loan Association of Bellefontaine 0.04 acre tract (O.R. 1076, Pg. 905, Tract II), N 04°-47'-44"E, a distance of 195.00 feet to a point at the TRUE POINT OF BEGINNING.

THENCE, with the lines of the previous right-of-way (O.R. 770, Pg. 413, Tract III), the following three courses:

N 04°-47'-44"E, a distance of 10.00 feet to a point.

N 84°-56'-15"W, a distance of 80.72 feet to a point on the east right-of-way of Hayes Street.

THENCE, with the east right-of-way of Hayes Street, N 04°-00'-00"E, a distance of 8.00 feet to a point.

THENCE, with the north line of the said previous right-of-way and said line extended, S 84°-56'-15"E, a distance of 126.09 feet to a point.

THENCE, with the west line extended and the west line of the Charles A. Collings Jr. one-half acre tract (Vol. 383, Pg. 442, first tract), S 07°-11'-19"W, a distance of 19.89 feet to a 1 inch iron bar found.

THENCE, with the north line of the said 0.04 acre tract, N 82°-30'-42"W, a distance of 44.48 feet to the point of beginning.

Property is subject to any and all previous easements and rights-of-way of record.

The basis for bearings is the north line of Columbus Avenue, being S 82°-39'-24"E, and all other bearings are from angles and distances measured in a field survey by Lee Surveying and Mapping Co., Inc. on August 27, 2012.

Description prepared by:

William K. Bruce  
Professional Surveyor 7437  
September 10, 2012

INDEXED ON MAP  
1122 27



ORIGINAL STAMP IN GREEN

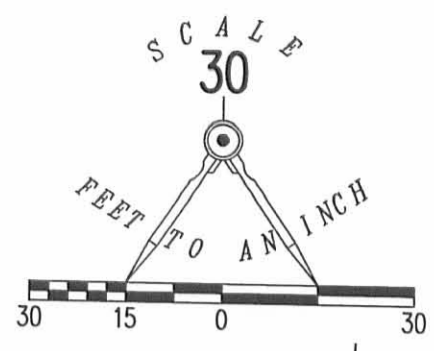
15080812

REC'D 9-11-12 SWY OK

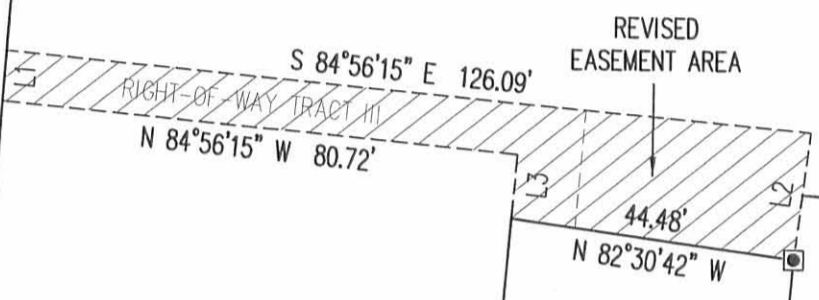
LEGEND:

- 5/8 INCH IRON ROD FOUND
- 1 INCH IRON BAR FOUND

LINE	BEARING	DISTANCE
L1	N 04°00'00" E	8.00'
L2	S 07°11'19" W	19.89'
L3	N 04°47'44" E	10.00'



HAYES STREET (40')



SUSIE N. NULL  
0.620 ACRE  
O.R. 770, PG. 413

N 04°47'44" E 195.00'

0.04 ACRE TRACT II

CITIZENS FEDERAL SAVINGS AND LOAN ASSOCIATION OF BELLEFONTAINE  
O.R. 1076, PG. 905

0.16 ACRE TRACT I

CHARLES A. COLLINGS JR.  
ONE-HALF ACRE  
VOL. 383, PG. 442  
FIRST TRACT

MAP PREPARED OF A REVISED INGRESS/EGRESS EASEMENT AND RIGHT-OF-WAY OVER A PORTION OF THE SUSIE N. NULL 0.620 ACRE TRACT OFFICIAL RECORD 770, PAGE 413 VIRGINIA MILITARY SURVEY 4990 CITY OF BELLEFONTAINE LAKE TOWNSHIP LOGAN COUNTY, OHIO

77.99'  
S 82°39'24" E  
(BASIS FOR BEARINGS)

COLUMBUS AVENUE (60')

REFERENCE:

PLAT OF SURVEY BY LESLIE H. GEESLIN, PROFESSIONAL SURVEYOR 5248, ENTITLED " SURVEY OF 0.620 ACRES IN THE CITY OF BELLEFONTAINE, VIRGINIA MILITARY SURVEY 4990, LAKE TOWNSHIP, LOGAN COUNTY, OHIO FOR CITIZENS FEDERAL SAVINGS AND LOAN ASSOC." DATED NOVEMBER 5, 1998.

SURVEYED BY:

*William K. Bruce*  
WILLIAM K. BRUCE  
PROFESSIONAL SURVEYOR 7437  
AUGUST 27, 2012



COPYRIGHT 2012 BY:  
**LEE SURVEYING & MAPPING CO., INC.**  
117 North Madriver Street  
BELLEFONTAINE, OHIO 43311  
(937) 593-7335  
WWW.LSMINC.US  
surveys@lsminc.us  
KSS D0812 15080812 L-1508-3

2 WORKING DAYS  
**BEFORE YOU DIG**  
CALL TOLL FREE **800-362-2764**  
OHIO UTILITIES PROTECTION SERVICE

INDEXED ON MAP  
1122 2P