

MOLITOR DESCRIPTION
(April, 1966)

Being situated in Section 33, Town 4, Range 14 of Lake Township, Logan County, Ohio.

Beginning at the northwest corner of said Section 33. Thence with the north line of Section 33 (also County Road #11) N89°-29'E 442.8 feet to an iron.

Thence S 0°-24'E 681.8 feet to an iron.

Thence N89°-28'W 449.0 feet to an iron in the west line of Section 33.

Thence with the west line of Section 33 (also County Road #216) North 673.8 feet to the place of beginning.

Containing 6.94 acres more or less.

Surveyed from a 50.00 acre tract.

6130 1D

INDEXED ON MAP

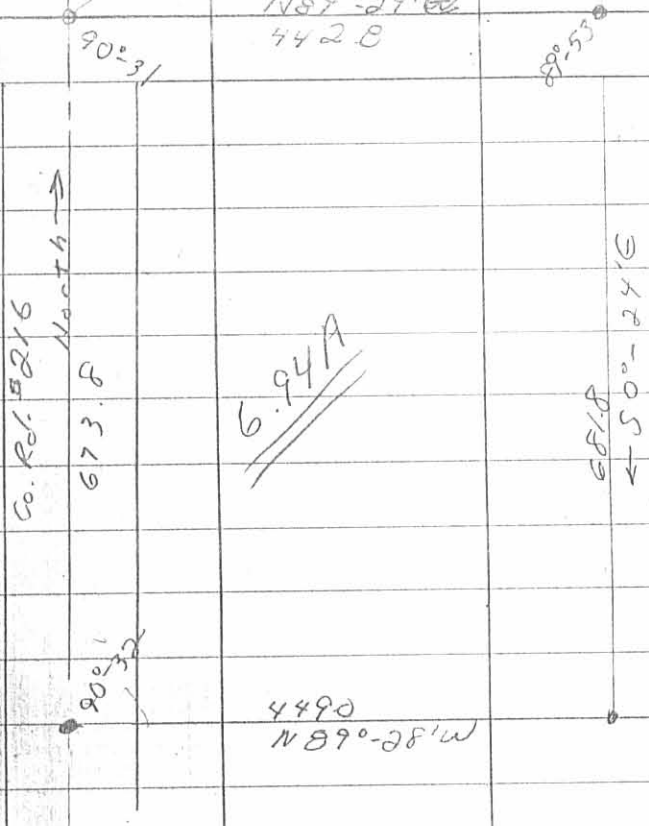
Owen K. Shirk
Surveyor 4271

Fred Molitor
Sec. 33, T-4, R-14
Laka. Twp

Apr. 16, 63

O.K.S. Book 9, pg. 22

R.R.S. place on Mon
N.W. Cor. of Sec. 33
Co. Rd 11
1489-29' ~~00~~
442 B



6.94A

6130 IP
INDEXED ON MAP

BELLETECH CORP.
26.030 Ac.
O.R. VOL. 11 PG. 249

LEWIS L. LENHART
3.864 Ac.
O.R. VOL. 218 PG. 91

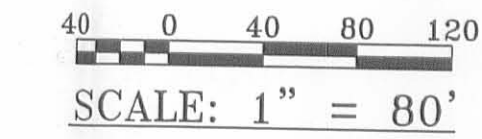
LAWRENCE J. THOBE
2.940 Ac.
D.B. VOL. 339 PG. 933

EX. BELLEFONTAINE CORP. LIMIT
COUNTY ROAD 11 - LAKE AVE. (60')
N. 89°57'08" E. 1185.52' (0.817 Ac.)

RICHARD E. GROVES JR.
2.530 Ac.
O.R. VOL. 21 PG. 932

SECTION 34 T4 R14 N. 89°57'08" E.
SECTION 33 T4 R14 442.69'

THE CITY OF BELLEFONTAINE
43.075 Ac. (43.060 Ac. DEED)
O.R. VOL. 349 PG. 806



- LEGEND**
- A = RAILROAD SPIKE FOUND
 - B = 1" DIA. IRON BAR FOUND
 - C = CONCRETE MONUMENT FOUND
 - D = 1" AXLE FOUND
 - E = 5/8" DIA. IRON BAR SET

SOUTHVIEW PARK SURVEY

SITUATED IN THE STATE OF OHIO, COUNTY OF LOGAN AND TOWNSHIP OF LAKE, AND BEING A PART OF THE NORTH HALF OF THE NORTHWEST QUARTER OF SECTION 33, TOWN 4, RANGE 14 OF THE BETWEEN THE MIAMI RIVERS SURVEY AND BEING MORE PARTICULARLY DESCRIBED AS FOLLOWS:

BEGINNING AT A RAILROAD SPIKE FOUND IN THE CENTERLINE OF COUNTY ROAD NO. 11 (ALSO BEING KNOWN AS LAKE AVENUE) AND IN THE NORTH LINE OF SAID SECTION 33 AT THE NORTHEAST CORNER OF EDWARD R. DELAIR JR. AND REBECCA S. DELAIR'S 6.940 ACRE TRACT AS DESCRIBED IN O. R. VOL. 333, PAGE 615, SAID RAILROAD SPIKE BEING N.89°-57'-08"E. (THIS BEARING IS ASSUMED AND ALL OTHER BEARINGS AND DISTANCES ARE ASSUMED AS A PART OF THIS SURVEY) 442.69 FEET FROM A CONCRETE MONUMENT FOUND AT THE NORTHWEST CORNER OF SECTION 33 IN THE WEST LINE OF LAKE TOWNSHIP ROAD NO. 216 (ALSO KNOWN AS TROY ROAD).

THENCE WITH THE CENTERLINE OF COUNTY ROAD NO. 11 AND THE NORTH LINE OF SECTION 33, N.89°-57'-08"E. 1185.52 FEET TO A ONE INCH DIAMETER IRON BAR FOUND AT THE NORTHWEST CORNER OF GERALD L. PRICE'S 17.890 ACRE TRACT AS DESCRIBED IN O. R. VOL. 199, PAGE 837.

THENCE WITH THE WEST LINE OF SAID PRICE TRACT AND THE WEST LINE OF THE GERALD L. PRICE AND JILL C. THOMPSON'S 3.438 ACRE TRACT AS DESCRIBED IN O. R. VOL. 351, PAGE 440, S.00°-25'-00"W. 1347.64 FEET TO A 5/8 INCH DIAMETER IRON BAR SET IN THE NORTH LINE OF LLOYD AND HILDA JEAN HARMAN'S 57.820 ACRE TRACT AS DESCRIBED IN O. R. VOL. 312, PAGE 861 AND PASSING A 5/8 INCH DIAMETER IRON BAR SET IN THE SOUTH RIGHT-OF-WAY OF SAID COUNTY ROAD NO. 11 AT 30.00 FEET.

THENCE WITH SAID HARMAN'S NORTH LINE AND THE NORTH LINE OF STEVE AND TERI AULT'S 1.000 ACRE TRACT AS DESCRIBED IN O. R. VOL. 193, PAGE 541, N.89°-18'-02"W. 1629.86 FEET TO A RAILROAD SPIKE FOUND IN THE CENTERLINE OF SAID TOWNSHIP ROAD NO. 216, SAID POINT BEING THE WEST LINE OF SECTION 33 AND THE WEST LINE OF LAKE TOWNSHIP, PASSING A ONE INCH DIAMETER IRON BAR FOUND IN THE EAST RIGHT-OF-WAY OF SAID ROAD AT 1612.36 FEET.

THENCE WITH SAID ROAD CENTERLINE, THE WEST SECTION LINE AND THE WEST LINE OF LAKE TOWNSHIP N.00°-29'-22"E. 652.64 FEET TO A RAILROAD SPIKE FOUND IN SAID ROAD CENTERLINE, WEST SECTION LINE AND WEST LINE OF LAKE TOWNSHIP AT THE SOUTHWEST CORNER OF SAID DELAIR TRACT.

THENCE WITH SAID DELAIR SOUTH LINE S.89°-02'-32"E. 447.67 FEET TO A 5/8 INCH DIAMETER IRON BAR SET AT DELAIR'S SOUTHWEST CORNER AND PASSING A 5/8 INCH DIAMETER IRON BAR SET IN THE EAST LINE OF SAID TOWNSHIP ROAD AT 17.50 FEET.

THENCE WITH SAID DELAIR'S EAST LINE N.00°-04'-16"E. 681.58 FEET TO THE PLACE OF BEGINNING, PASSING A 5/8 INCH DIAMETER IRON BAR SET IN THE SOUTH RIGHT-OF-WAY OF SAID COUNTY ROAD NO. 11 AT 651.58 FEET.

CONTAINING 43.075 ACRES MORE OR LESS OF WHICH 0.262 ACRES ARE IN THE RIGHT-OF-WAY OF TOWNSHIP ROAD NO. 216 AND 0.817 ACRES ARE WITHIN THE RIGHT-OF-WAY OF COUNTY ROAD NO. 11. THE ABOVE DESCRIBED 43.075 ACRE TRACT BEING ALL OF THE CITY OF BELLEFONTAINE'S 43.060 ACRE TRACT AS DESCRIBED IN O. R. VOL. 349 PAGE 806.

THIS DESCRIPTION PREPARED BY TIMOTHY L. NOTESTINE, P.E., P.S. #S-7815 FROM AN ACTUAL FIELD SURVEY PERFORMED FEBRUARY 6, 1996.

TROY ROAD (60')

HARRISON TOWNSHIP

ANDREW G. DETRICK
130.000 Ac.
D.B. VOL. 401 PG. 293 & 297

LAKE TOWNSHIP

EDWARD R. DELAIR JR. & REBECCA S. DELAIR
6.940 Ac.
O.R. VOL. 333 PG. 615

17.50'

S. 89°02'32" E. 447.62'

TOWNSHIP RD. 216 - TROY ROAD (35')

N. 00°29'22" E. 673.76'

N. 00°29'22" E. 652.64'

N. 00°29'22" E. 652.64'

N. 00°29'22" E. 652.64'

(0.262 Ac.)

17.50'

A B

STEVE R. & TERI L. AULT
1.000 Ac.
O. R. VOL. 193 PG. 541

WILLIAM LEE WARD
1.000 Ac.
D.B. VOL. 339 PG. 933

LLOYD & HILDA JEAN HARMAN
57.820 Ac.
O.R. VOL. 312 PG. 861

85' ROW



TIMOTHY L. NOTESTINE P.E., P.S. #S-7815
135 N. DETROIT ST.
BELLEFONTAINE, OHIO 43311
SURVEY DATE: 2-6-98

SOUTHVIEW PARK SURVEY

LAKE TOWNSHIP, LOGAN COUNTY
SECTION 33, TOWN 4, RANGE 14 B.M.R.S.

INDEXED ON MAP
6130 2P

CLIFFORD E. KELLY, et al.
214.240 Ac.
O. R. VOL. 125 PAGE 653

BELLETECH CORP.
26.030 Ac.
O.R. VOL. 11 PG 249

LEWIS L. LENHART
3.864 Ac.
O.R. VOL. 218 PG.91

LAWRENCE J. THOBE
2.940 Ac.
D.B. VOL. 339 PG. 933

SECTION 4 T3 R14
SECTION 3 T3 R14

SECTION 34 T4 R14
SECTION 33 T4 R14

N. 89°57'08" E. 1628.21' COUNTY ROAD 11 - LAKE AVE. (60')

HARRISON TOWNSHIP

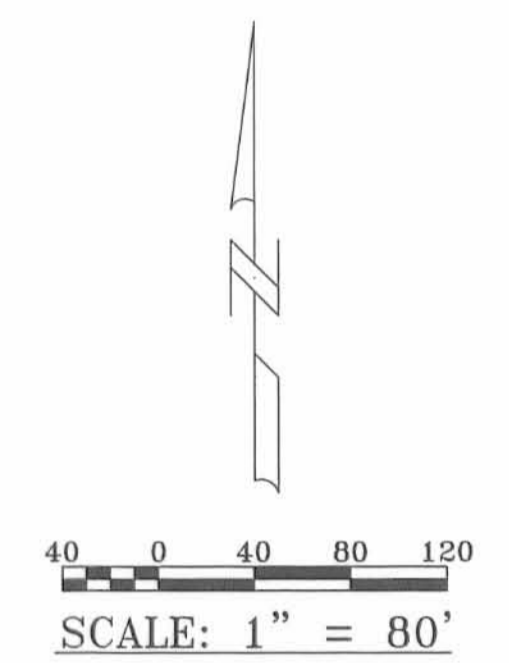
LAKE TOWNSHIP

ANDREW G. DETRICK
130.000 Ac.
D.B. VOL. 401 PG. 293 & 297

EDWARD R. DELAIR JR. & REBECCA S. DELAIR
6.940 Ac. DEED (6.925 Ac. ACTUAL)
O.R. VOL. 333 PG. 615

THE CITY OF BELLEFONTAINE
43.075 Ac. (43.060 Ac. DEED)
O.R. VOL. 349 PG. 806

RICHARD E. GROVES JR.
2.530 Ac.
O.R. VOL. 21 PG. 932



- LEGEND**
- A = RAILROAD SPIKE FOUND
 - B = 1" DIA. IRON BAR FOUND
 - C = CONCRETE MONUMENT FOUND
 - D = 1" AXLE FOUND
 - E = 5/8" DIA. IRON BAR SET

SOUTHVIEW PARK ANNEXATION SURVEY

SITUATED IN THE STATE OF OHIO, COUNTY OF LOGAN AND TOWNSHIP OF LAKE, AND BEING A PART OF THE NORTH HALF OF THE NORTHWEST QUARTER OF SECTION 33, TOWN 4, RANGE 14 OF THE BETWEEN THE MIAMI RIVERS SURVEY AND BEING MORE PARTICULARLY DESCRIBED AS FOLLOWS:

BEGINNING AT A CONCRETE MONUMENT FOUND AT THE INTERSECTION OF THE CENTERLINES OF COUNTY ROAD NO. 11 (ALSO KNOWN AS LAKE AVENUE) AND TOWNSHIP ROAD NO. 216 (ALSO KNOWN AS TROY ROAD) AT THE NORTHWEST CORNER OF SAID SECTION 33 AND A 6.940 ACRE TRACT IN THE NAME OF EDWARD R. DELAIR JR. & REBECCA S. DELAIR AS DESCRIBED IN O. R. VOL. 333, PAGE 615, AND IN THE WEST LINE OF LAKE TOWNSHIP,

THENCE WITH THE NORTH LINE OF SECTION 33 AND THE CENTERLINE OF COUNTY ROAD NO. 11 N.89°-57'-08"E. (THIS BEARING IS ASSUMED AND ALL OTHER BEARINGS AND DISTANCES ARE AS MEASURED AS A PART OF THIS SURVEY) 1628.21 FEET TO A ONE INCH DIAMETER IRON BAR FOUND AT THE NORTHWEST CORNER OF GERALD L. PRICE'S 17.890 ACRE TRACT AS DESCRIBED IN O. R. VOL. 199, PAGE 837, PASSING A RAILROAD SPIKE FOUND AT THE NORTHEAST CORNER OF SAID DELAIR TRACT AT 442.69 FEET,

THENCE WITH THE WEST LINE OF SAID PRICE TRACT AND THE WEST LINE OF THE GERALD L. PRICE AND JILL C. THOMPSON'S 3.438 ACRE TRACT AS DESCRIBED IN O. R. VOL. 351, PAGE 440, S.00°-25'-00"W. 1347.64 FEET TO A 5/8 INCH DIAMETER IRON BAR SET IN THE NORTH LINE OF LLOYD AND HILDA JEAN HARMAN'S 57.820 ACRE TRACT AS DESCRIBED IN O. R. VOL. 312, PAGE 861, PASSING A 5/8 INCH DIAMETER IRON BAR SET IN THE SOUTH RIGHT-OF-WAY OF SAID COUNTY ROAD NO. 11 AT 30.00 FEET,

THENCE WITH SAID HARMAN'S NORTH LINE AND THE NORTH LINE OF STEVE AND TERI AULT'S 1.000 ACRE TRACT AS DESCRIBED IN O. R. VOL. 193, PAGE 541, N.89°-18'-02"W. 1629.86 FEET TO A RAILROAD SPIKE FOUND IN THE CENTERLINE OF SAID TOWNSHIP ROAD NO. 216, SAID SPIKE BEING IN THE WEST LINE OF SECTION 33 AND THE WEST LINE OF LAKE TOWNSHIP, PASSING A ONE INCH DIAMETER IRON BAR FOUND IN THE EAST RIGHT-OF-WAY OF SAID ROAD AT 1612.36 FEET,

THENCE WITH SAID ROAD CENTERLINE, THE WEST SECTION LINE AND THE WEST LINE OF LAKE TOWNSHIP N.00°-29'-22"E. 1326.40 TO THE PLACE OF BEGINNING, PASSING A RAILROAD SPIKE FOUND IN SAID ROAD CENTERLINE AT 652.64 FEET AT THE SOUTHWEST CORNER OF SAID DELAIR TRACT.

CONTAINING 50.000 ACRES MORE OR LESS OF WHICH 0.519 ACRES ARE IN THE RIGHT-OF-WAY OF TOWNSHIP ROAD NO. 216 AND 1.119 ACRES ARE WITHIN THE RIGHT-OF-WAY OF COUNTY ROAD NO. 11. THE ABOVE DESCRIBED 50.000 ACRE TRACT BEING ALL OF THE CITY OF BELLEFONTAINE'S 43.060 ACRE TRACT AS DESCRIBED IN O. R. VOL. 349 PAGE 806 AND EDWARD R. DELAIR JR. & REBECCA S. DELAIR'S 6.940 ACRE TRACT AS DESCRIBED IN O. R. VOL. 333 PAGE 615.

THIS DESCRIPTION PREPARED BY TIMOTHY L. NOTESTINE, P.E., P.S. #S-7815 FROM AN ACTUAL FIELD SURVEY PERFORMED FEBRUARY 6, 1998.

- LOGAN COUNTY COMMISSIONERS: George W. Clayton 8-6-98
John Baylas 8-6-98
Russell Fungler 8-6-98
- LOGAN COUNTY ENGINEER: Jimmie Co 2-17-99
- CHAIRMAN, TOWNSHIP TRUSTEE: Chester R. Kurtz 2-11-99
- L.U.C. PLANNING DIRECTOR: Quincy Scott 2-12-99
- MAYOR OF BELLEFONTAINE: Paul E. Hanifan 2-12-99
- PRESIDENT OF COUNCIL: William Patterson 2-11-99
- CLERK, CITY COUNCIL: Licki Yookam 2-12-99
- PLAT PRE-APPROVED: Jon C. Hines 6-3-98
- PLAT CHECKED: Jon C. Hines 6-1-99
- CITY ORDINANCE NUMBER: 99-10 1-26-99
- TRANSFERRED THIS 6th DAY OF July, 1999
- AUDITOR, LOGAN COUNTY, OHIO: Michael E. Godwin
- RECORDED IN PLAT CABINET: B, SLIDE 41B
- RECEIVED FOR RECORD AT 2:24:01 O'CLOCK P.M.
- THIS 6th DAY OF July, 1999
- RECORDER, LOGAN COUNTY, OHIO: Carolyn Collins

GERALD L. PRICE & JILL C. THOMPSON
3.438 Ac.
O.R. VOL. 351 PG. 440

GERALD L. PRICE
17.890 Ac.
O.R. VOL. 199 PG. 837

TROY ROAD (60')
TOWNSHIP RD. 216 - TROY ROAD (35')
N. 00°29'22" E. 1326.40'
(0.519 Ac.)
652.64'

17.50'

PROPOSED CORPORATION LINE

N. 89°18'02" W. 1629.86'

STEVE R. & TERI L. AULT
1.000 Ac.
O. R. VOL. 193 PG. 541

LLOYD & HILDA JEAN HARMAN
57.820 Ac.
O.R. VOL. 312 PG. 861

WILLIAM LEE WARD
1.000 Ac.
D.B. VOL. 339 PG. 933

SOUTHVIEW PARK ANNEXATION SURVEY

LAKE TOWNSHIP, LOGAN COUNTY
SECTION 33, TOWN 4, RANGE 14 B.M.R.S.



TIMOTHY L. NOTESTINE P.E., P.S. #S-7815
135 N. DETROIT ST.
BELLEFONTAINE, OHIO 43311
SURVEY DATE: 2-6-98