

LOT 1054

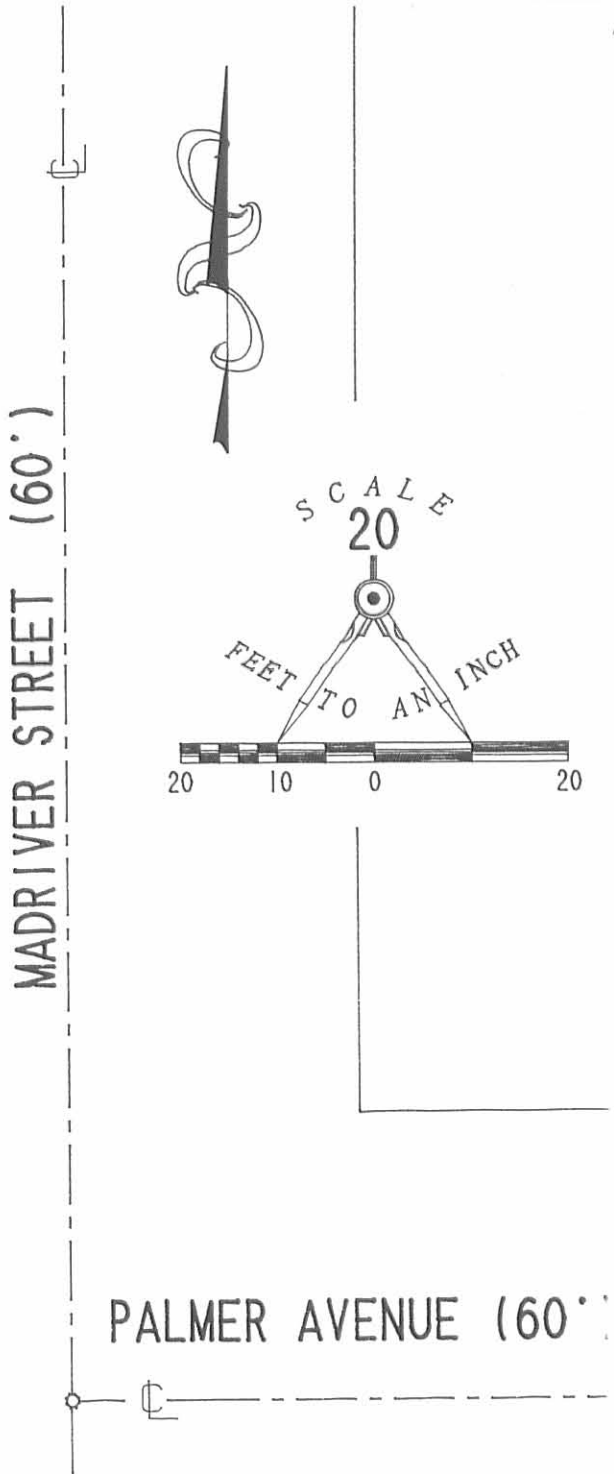
REFERENCES:

1. PLAT OF STAATS 2ND ADDITION TO BELLEFONTAINE. PLAT BOOK A. PPS. 108.109.
2. LOGAN COUNTY ENGINEER'S F.B. 479. PG. 18 AND F.B. 549. PG. 66
3. LOGAN COUNTY ENGINEER'S RECORD OF SURVEYS DRAWER "R". FILE NO. 1098.

LOT 1045

LEGEND:

- 5/8" IRON ROD SET
- P.K. NAIL FOUND



RETRACEMENT SURVEY OF LOT 1044
 IN STAATS SECOND ADDITION TO
 THE CITY OF BELLEFONTAINE
 LAKE TOWNSHIP
 LOGAN COUNTY, OHIO

INDEXED ON MAP
8080 1P



SURVEYED BY:
Jeffrey I. Lee
 JEFFREY I. LEE
 PROFESSIONAL SURVEYOR 6359
 OCTOBER 29, 1993

LEE SURVEYING & MAPPING CO.
 143 East Columbus Avenue
 BELLEFONTAINE, OHIO 43311
 (513) 593-7335
 D 215 MRHOSPBI L-530-3

LEGEND:

• 5/8" IRON ROD SET

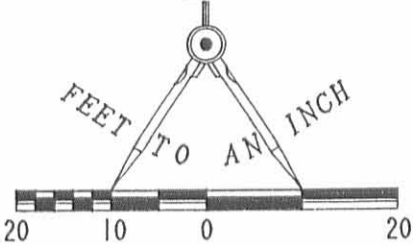
⊙ P.K. NAIL SET



VACATED ALLEY, CITY OF BELLEFONTAINE, ORDINANCE NUMBER 90-54, DATED JUNE 26, 1990.

LOT 1039

SCALE
20



16.5' ALLEY

LINE BEARING DISTANCE
L 1 N 89° 55' 14" E 8.25'



RUSH AVENUE (60')

ANTHONY D. EATON
VOL. 379, PG. 620

LOT 1058

S 63° 20' 26" E
55.66'

0.067 ACRE

MARY RUTAN HOSPITAL
O.R. 197, PG. 676

N 33° 28' 40" E
60.00'

91.13'
S 89° 57' 04" W

L1

25.00
S 00° 04' 46" E

LOT 1040

LOT 1041

LOT 1042

LOT 1057

REFERENCES:

1. PLAT OF STAATS 2ND ADDITION TO BELLEFONTAINE, PLAT BOOK A, PPS. 108, 109.
2. LOGAN COUNTY ENGINEER'S F.B. 479, PG. 18 AND F.B. 549, PG. 66
3. LOGAN COUNTY ENGINEER'S RECORD OF SURVEYS DRAWER "R", FILE NO. 1098.
4. O.D.O.T. R/W PLAN OF S.R. 47, STA. 738+62.35 TO STA. 748+20.58, LOGAN COUNTY, SHEETS 3 AND 4 OF 11.

L2

RETRACEMENT SURVEY OF THE SOUTH PART LOT 1058
 MARY RUTAN HOSPITAL, OFFICIAL RECORD 197, PAGE 676
 STAATS SECOND ADDITION TO
 THE CITY OF BELLEFONTAINE
 LAKE TOWNSHIP
 LOGAN COUNTY, OHIO

SURVEYED BY:

Jeffrey I. Lee
 JEFFREY I. LEE
 PROFESSIONAL SURVEYOR 6359
 NOVEMBER 1, 1993

INDEXED ON MAP
8080 2P



LEE SURVEYING & MAPPING CO.
 143 East Columbus Avenue
 BELLEFONTAINE, OHIO 43311
 (513) 593-7335

2 WORKING DAYS
BEFORE YOU DIG
 CALL TOLL FREE **800-362-2764**
 OHIO UTILITIES PROTECTION SERVICE.

ORIGINAL STAMP IN GREEN

D 215 MRHOSPB2

L-530-4