

REC'D 4-4-01 Survey

Lee Surveying and Mapping Co., Inc.

Land Surveys • Topography • Subdivisions • Construction Layout

117 N. Madriver St.
Bellefontaine OH 43311



Phone: (937) 593-7335
Fax: (937) 593-7444

DALLY 115.159 ACRES

Lying in Virginia Military Surveys 3437 and 3436, Jefferson Township, Logan County, Ohio.

Being the remainder of the original 64.0 acre and 48.48 acre tracts as deeded and described in Official Record 346, Page 833, Tract III of the Logan County Records of Deeds and being more particularly described as follows:

Beginning at a 5/8 inch iron rod found at the intersection of the center-lines of Ohio Route 540 and Township Road 126 at Station 151 + 54.00 of the Logan County Engineer's Field Book 588, Page 15.

THENCE, with the center-line of Ohio Route 540 (60 feet wide), the following two courses:

S 51°-16'-44" W, a distance of 753.26 feet to a 5/8 inch iron rod found at Station 144 + 00.00 of the Logan County Engineer's Field Book 588, Page 15.

S 66°-36'-00" W, a distance of 140.60 feet to a railroad spike set at the TRUE POINT OF BEGINNING.

THENCE, with the west line of the New Salem Lutheran Church 0.64 acre tract (Vol. 310, Pg. 268) and the New Salem Lutheran Church tract (Vol. 6, Pg. 247), S 38°-57'-00" E, a distance of 310.20 feet to a 5/8 inch iron rod set, passing a 5/8 inch iron rod set at 31.14 feet.

THENCE, with the south line of the New Salem Lutheran Church tract (Vol. 6, Pg. 247) and the Michael David Jackson 5.62 acre tract (O.R. 21, Pg. 511), N 85°-35'-08" E, a distance of 563.68 feet to a 5/8 inch iron rod set.

THENCE, with the east line of the said 5.62 acre tract, N 3°-10'-50" W, a distance of 93.97 feet to a 5/8 inch iron rod found.

THENCE, with the lines of the Jerry M. Abbott et al 35.53 acre tract (Vol. 311, Pg. 570), the following two courses:

S 89°-29'-09" E, a distance of 605.12 feet to a 5/8 inch iron rod found.

S 3°-41'-39" E, a distance of 1238.26 feet to a 5/8 inch iron rod found.

THENCE, with the lines of the Georgia M. Pauling 120.0 acre tract (Vol. 320, Pg. 466) the following four courses:

INDEXED ON MAP
3566 10-1

Lee Surveying and Mapping Co., Inc.

Land Surveys • Topography • Subdivisions • Construction Layout

117 N. Madriver St.
Bellefontaine OH 43311



Phone: (937) 593-7335
Fax: (937) 593-7444

S 64°-22'-16" W, a distance of 688.21 feet to a 5/8 inch iron rod set.

S 5°-30'-30" E, a distance of 201.65 feet to a stone found.

S 76°-13'-24" W, a distance of 1119.91 feet to a stone found.

S 3°-53'-50" E, a distance of 449.28 feet to a 5/8 inch iron rod set.

THENCE, with the south line of Virginia Military Survey 3437 and the north line of the Jerome E. Bettinger, Trustee 57.527 acre tract (O.R. 380, Pg. 396, Parcel 1) and the Roger D. Brown 82.923 acre tract (O.R. 416, Pg.395, Tract I), S 85°-24'-34" W, a distance of 925.55 feet to a 5/8 inch iron rod set.

THENCE, with the east line of the Roger D. Brown 82.923 acre tract (O.R. 416, Pg. 395, Tract I) and the Joe C. and Linda M. Hughes, Trustees 3.177 acre tract (O.R. 406, Pg. 662), N 3°-53'-50" W, a distance of 2260.50 feet to a 1 inch square iron bolt found, passing a 5/8 inch iron rod set at 2230.49 feet.

THENCE, with the center-line of Ohio Route 540, the following two courses:


N 84°-08'-52" E, a distance of 561.10 feet to a railroad spike found at Station 134+51.40 of the Logan County Engineer's Field Book 588, Page 14.

N 66°-36'-00" E, a distance of 805.95 feet to the point of beginning.

Containing 115.159 acres of which 0.948 acre is within the highway right-of-way. 12.786 acres are in Virginia Military Survey 3436 and 102.373 acres are in Virginia Military Survey 3437.

The basis for bearings is the center-line of Ohio Route 540 being N 66°-36'-00" E, and all other bearings are from angles and distances measured in a field survey by Lee Surveying and Mapping Co., Inc. on March 5, 2001.

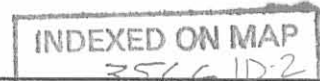
Description prepared by:

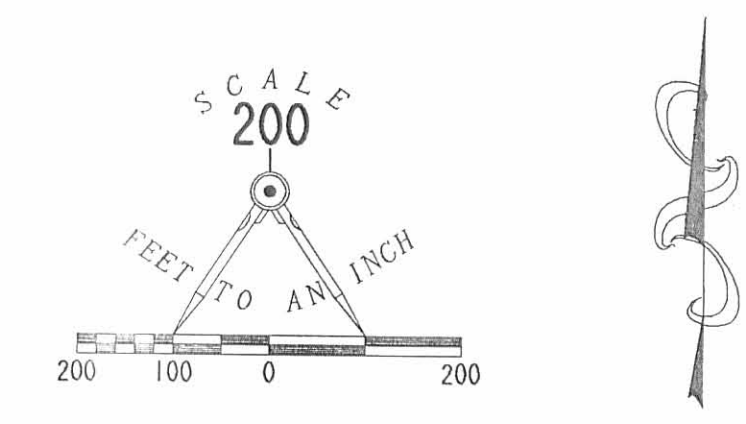

Jeffrey I. Lee
Professional Surveyor 6359
March 14, 2001



ORIGINAL STAMP IN GREEN

L-3104

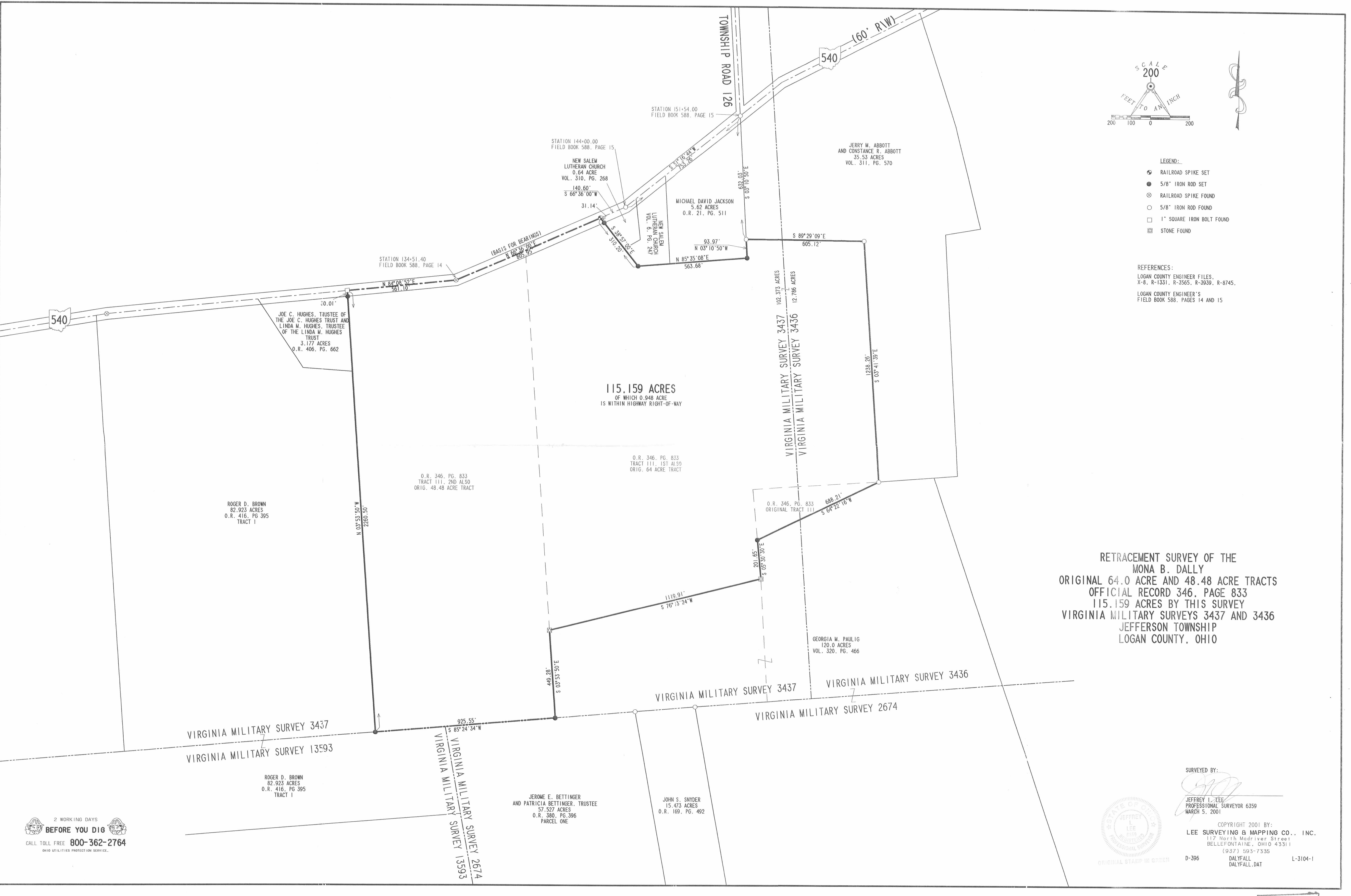




- LEGEND:
- ⊕ RAILROAD SPIKE SET
 - 5/8" IRON ROD SET
 - ⊗ RAILROAD SPIKE FOUND
 - 5/8" IRON ROD FOUND
 - 1" SQUARE IRON BOLT FOUND
 - ⊠ STONE FOUND

REFERENCES:
 LOGAN COUNTY ENGINEER FILES,
 X-8, R-1331, R-3565, R-3939, R-8745,
 LOGAN COUNTY ENGINEER'S
 FIELD BOOK 588, PAGES 14 AND 15

RETRACEMENT SURVEY OF THE
 MONA B. DALLY
 ORIGINAL 64.0 ACRE AND 48.48 ACRE TRACTS
 OFFICIAL RECORD 346, PAGE 833
 115.159 ACRES BY THIS SURVEY
 VIRGINIA MILITARY SURVEYS 3437 AND 3436
 JEFFERSON TOWNSHIP
 LOGAN COUNTY, OHIO



SURVEYED BY:

 JEFFREY L. LEE
 PROFESSIONAL SURVEYOR 6359
 MARCH 5, 2001



COPYRIGHT 2001 BY:
 LEE SURVEYING & MAPPING CO., INC.
 117 North Madriver Street
 BELLEFONTAINE, OHIO 43311
 (937) 593-7335
 D-396 DALYFALL DALYFALL.DAT L-3104-1

2 WORKING DAYS
BEFORE YOU DIG
 CALL TOLL FREE 800-362-2764
 OHIO UTILITIES PROTECTION SERVICE.

INDEXED ON MAP
 3566 IP