

Received 5-10-89 O.R. (C.R.)

Lee Surveying and Mapping Co.



Farm Surveys • Lot Surveys • Topography • Subdivisions • Construction Layout

855 EAST SANDUSKY AVENUE
BELLEFONTAINE, OHIO 43311

(513) 593-5780

CLAYTON M. LEE, P.S.
JEFFREY I. LEE, P.S.

PHILIP STANLEY SURVEY (3.176 ACRES)

Lying in V.M.S. 3442, Jefferson Township, Logan County, Ohio.

Being out of that original 106.8 acre tract in the name of Stanley as deeded and described in Volume 402, Page 648 of the Logan County Records of Deeds and being more particularly described as follows:

Beginning at a 5/8" iron rod set on the east right-of-way line of County Highway 9, marking the northwest corner of the J. Greene 3.043 acre tract (O.R. 49, Page 85) and being S 62°-50' E, 52.72 feet from center-line Station 67+42.61.

THENCE, with the said east right-of-way line, N 33°-53'-27" E, a distance of 450.00 feet to a 5/8" iron rod (set).

THENCE, S 87°-47'-58" E, a distance of 188.44 feet to a 5/8" iron rod (set).

THENCE, S 13°-03'-30" E, a distance of 182.90 feet to a 5/8" iron rod (set).

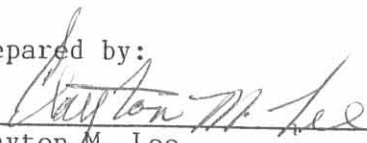
THENCE, S 35°-10' W, a distance of 390.59 feet to a 5/8" iron rod found at the northeast corner of the aforesaid 3.043 acre tract.

THENCE, with the north line of said 3.043 acre tract, N 62°-50' W, a distance of 287.28 feet to the point of beginning.

Containing 3.176 acres.

This description prepared from an actual field survey.
Basis for bearings: Center-line County Highway 9 = N 35°-10' E.

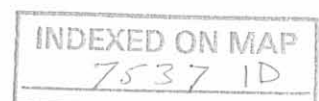
Prepared by:

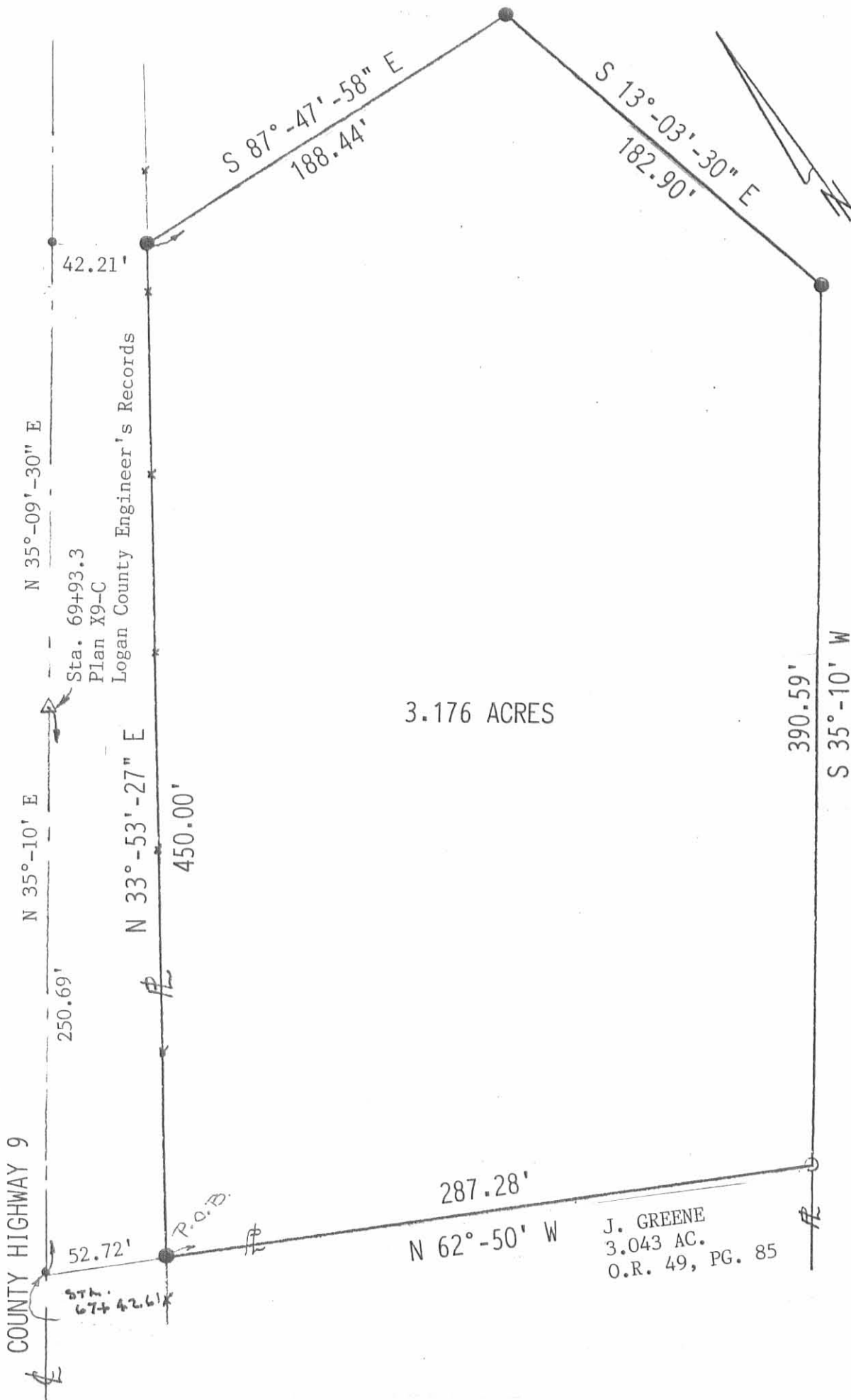

Clayton M. Lee
Registered Professional Surveyor No. 6181
May 9, 1989



ORIGINAL STAMP IN GREEN

L-1416





3.176 ACRES

P. STANLEY
 ORIG. 106.8 AC.
 Vol. 402, Pg. 648

J. GREENE
 3.043 AC.
 O.R. 49, PG. 85

SURVEY OF 3.176 ACRES OUT OF THE
 PHILLIP STANLEY
 ORIGINAL 106.8 ACRE TRACT
 VOL. 402, PG. 648
 VMS 3442, JEFFERSON TOWNSHIP
 LOGAN COUNTY, OHIO

- PK NAIL SET
- 5/8" I. ROD SET
- 5/8" I. ROD FOUND
- △ RAILROAD SPIKE FOUND

SCALE 1" = 60'

INDEXED ON MAP
 7537 IP

STATE OF OHIO
 BY: *Jeffrey I. Lee*
 JEFFREY I. LEE
 6359
 REGISTERED SURVEYOR
 May 2, 1989

Lee Surveying & Mapping Co.
 855 E. Sandusky Ave.
 BELLEFONTAINE, OHIO 43311
 (513) 593-5780



Lee Surveying and Mapping Co., Inc.

Farm Surveys • Lot Surveys • Topography • Subdivisions • Construction Layout

117 NORTH MADRIVER STREET
BELLEFONTAINE, OHIO 43311

(937) 593-7335
FAX (937) 593-7444

GRABER 2.072 ACRES

Lying in Virginia Military Survey 3442, Jefferson Township, Logan County, Ohio.

Being out of the Rodney C. Graber, Lela Faye Graber and Roberta Graber original 14.809 acre tract as deeded and described in Official Record 261, Page 691, Parcel No. 3 of the Logan County Records of Deeds and being more particularly described as follows:

Beginning at a MAG nail set on the center-line of County Highway 9, also Sandusky Road, at Station 73+00 per the Logan County Engineer's file X-9C.

THENCE, S 56°-03'-36" E, a distance of 40.00 feet to a 5/8 inch iron rod found on the easterly right-of-way of County Highway 9 at the TRUE POINT OF BEGINNING.

THENCE, with the easterly right-of-way of County Highway 9, N 38°-58'-51" E, a distance of 182.06 feet to a 5/8 inch iron rod found.

THENCE, with the southerly line of the Rodney C. Graber, etal 1.53 acre tract (O.R. 261, Pg. 691, Par. I, Tract 2), S 57°-11'-55" E, a distance of 400.22 feet to a 5/8 inch iron rod found.

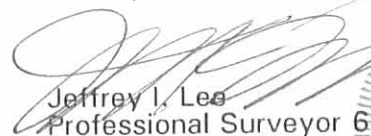
THENCE, with the westerly line of the Rodney C. Graber, etal 48.16 acre tract (O.R. 261, Pg. 691, Par. I, Tract 1), S 5°-20'-17" E, a distance of 244.56 feet to a 5/8 inch iron rod set.

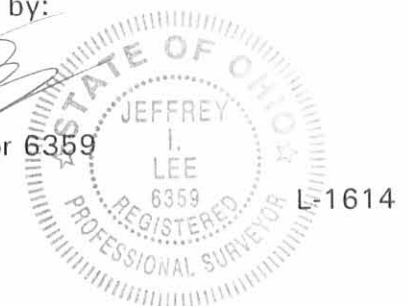
THENCE, N 56°-03'-36" W, a distance of 570.96 feet to the point of beginning, passing a 5/8 inch iron rod found at 410.62 feet.

Containing 2.072 acres.

The basis for bearings is the center-line of County Highway 9, being S 35°-10'-00" W, and all other bearings are from angles and distances measured in a field survey by Lee Surveying and Mapping Co., Inc, on January 16, 1998.

Description prepared by:


Jeffrey I. Lee
Professional Surveyor 6359
January 19, 1998

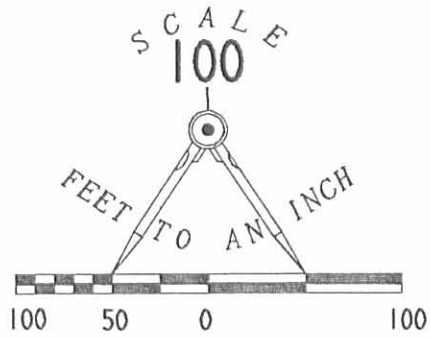


ORIGINAL STAMP IN GREEN

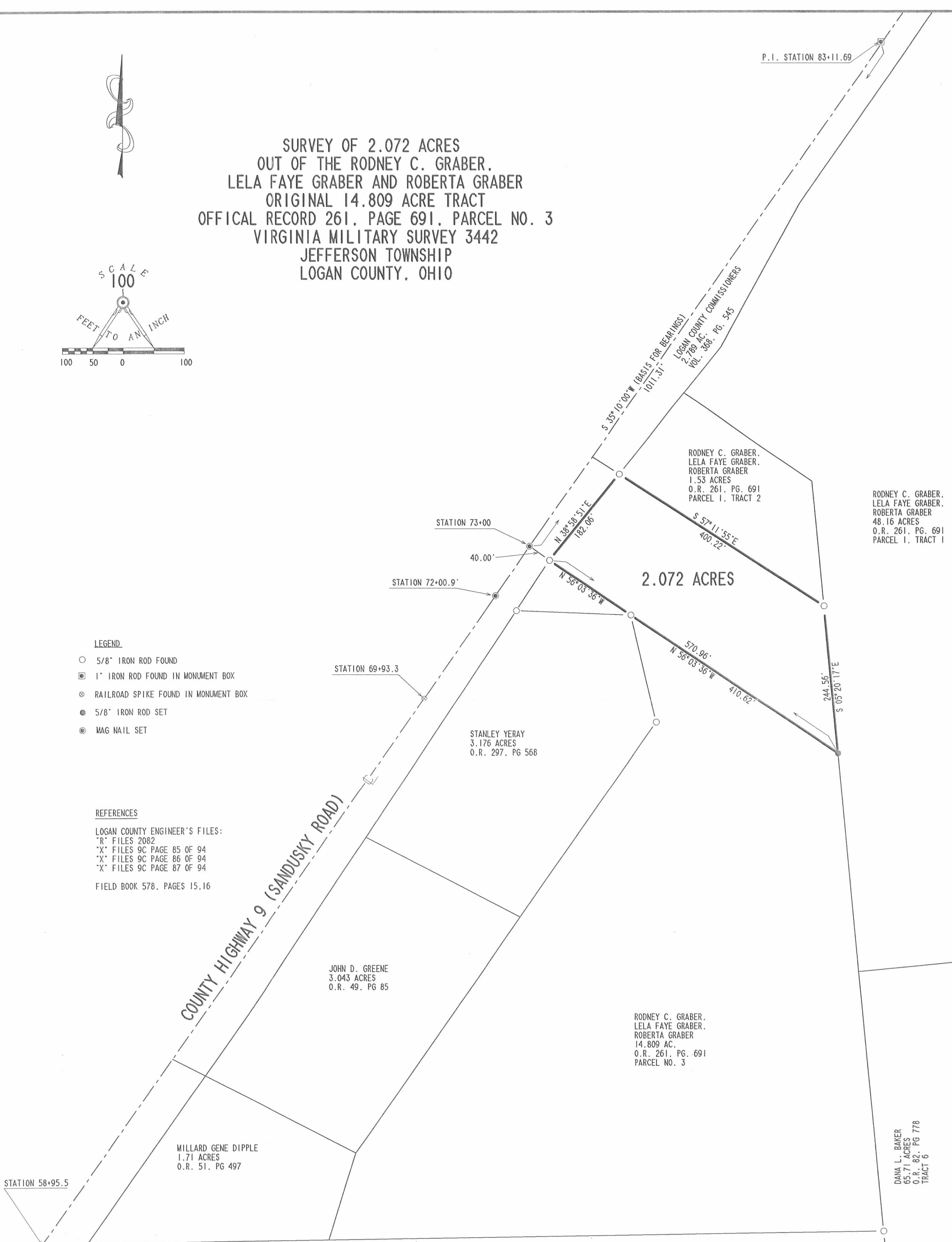
INDEXED ON MAP
7537 2D



SURVEY OF 2.072 ACRES
 OUT OF THE RODNEY C. GRABER,
 LELA FAYE GRABER AND ROBERTA GRABER
 ORIGINAL 14.809 ACRE TRACT
 OFFICAL RECORD 261, PAGE 691, PARCEL NO. 3
 VIRGINIA MILITARY SURVEY 3442
 JEFFERSON TOWNSHIP
 LOGAN COUNTY, OHIO



P. I. STATION 83+11.69



LEGEND

- 5/8" IRON ROD FOUND
- ◻ 1" IRON ROD FOUND IN MONUMENT BOX
- ⊗ RAILROAD SPIKE FOUND IN MONUMENT BOX
- 5/8" IRON ROD SET
- ⊙ MAG NAIL SET

REFERENCES

LOGAN COUNTY ENGINEER'S FILES:
 "R" FILES 2082
 "X" FILES 9C PAGE 85 OF 94
 "X" FILES 9C PAGE 86 OF 94
 "X" FILES 9C PAGE 87 OF 94
 FIELD BOOK 578, PAGES 15.16

MAX E. VARNER
 79.91 ACRES
 VOL 329, PG 179
 TRACT 3

INDEXED ON MAP
 7537 2P



SURVEYED BY:

Jeffrey V. Lee
 JEFFREY V. LEE
 PROFESSIONAL SURVEYOR 6359
 JANUARY 16, 1998

COPYRIGHT 1998 BY:
 LEE SURVEYING & MAPPING CO., INC.
 117 North Madriver Street
 BELLEFONTAINE, OHIO 43311
 (937) 593-7335

D 322 JSTANLY2 L-1416-2

2 WORKING DAYS
BEFORE YOU DIG
 CALL TOLL FREE 800-362-2764
 OHIO UTILITIES PROTECTION SERVICE.

ORIGINAL STAMP IN GREEN

RECID 11-20-03 8MM dk

Lee Surveying and Mapping Co., Inc.

Land Surveys • Topography • Subdivisions • Construction Layout

117 N. Madriver St.
Bellefontaine OH 43311



Phone: (937) 593-7335
Fax: (937) 593-7444

GRABER 8.392 ACRES

Lying in Virginia Military Survey 3442, Jefferson Township, Logan County, Ohio.

Being out of the Lela Faye Graber original 14.809 acre tract as deeded and described in Official Record 421, Page 913, Parcel No. 3 of the Logan County Records of Deeds and being more particularly described as follows:

Beginning at a railroad spike found in the center-line of County Highway 9 at Station 69+93.3.

THENCE, with the center-line of County Highway 9, S 35°-10'-00"W, a distance of 1097.80 feet to a point at Station 58+95.5.

THENCE, with the north line of the Marlene R. Varner 119.91 acre tract (O.R. 556, Pg. 163, Tract II), N 89°-08'-39"E, a distance of 472.70 feet to a 5/8 inch iron rod found at the TRUE POINT OF BEGINNING.

THENCE, with the east line of the Michael A. Henman 1.71 acre tract (O.R. 516, Pg. 478), N 17°-23'-36"E, a distance of 149.46 feet to a 5/8 inch iron rod found.

THENCE, with the east line of the John D. Greene 3.043 acre tract (O.R. 49, Pg. 85), N 35°-10'-00"E, a distance of 408.58 feet to a 5/8 inch iron rod set.

THENCE, N 89°-08'-39"E, a distance of 592.05 feet to a 5/8 inch iron rod set.

THENCE, with the west line of Pines Lake II, Ltd. 65.71 acre tract (O.R. 557, Pg. 253, Tract 6), S 5°-20'-17"E, a distance of 473.84 feet to a 5/8 inch iron rod found.

THENCE, with the north line of the said 119.91 acre tract, S 89°-08'-39"W, a distance of 916.17 feet to the point of beginning.

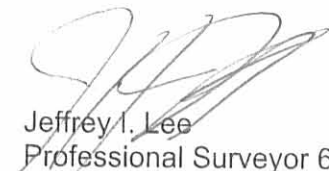
Containing 8.392 acres.

The basis for bearings is the center-line of County Highway 9, being S 35°-10'-00"W, and all other bearings are from angles and distances measured in a field survey by Lee Surveying and Mapping Co., Inc. on November 6, 2003.

Description prepared by:



ORIGINAL STAMP IN GREEN


Jeffrey I. Lee
Professional Surveyor 6359
November 11, 2003

L-1416



REC'D 11-20-03 SMM/OK

REFERENCES:
FIELD BOOK 578. PAGES 15.16

STATION 69+93.3

STATION 62+68.5

STATION 58+95.5

1097.80'
S 35° 10' 00" W
BASIS FOR BEARINGS
COUNTY HIGHWAY 9

JOHN D. GREENE
3.043 ACRES
O.R. 49. PG 85

N 89° 08' 39" E
592.05'

LELA FAYE GRABER
14.809 AC.
O.R. 421. PG. 913
PARCEL NO. 3

8.392 ACRES

MICHAEL A. HENMAN
1.71 ACRES
O.R. 516. PG. 478

N 89° 08' 39" E
472.70'

MARLENE R. VARNER
119.91 ACRES
O.R. 556. PG. 163
TRACT 11

N 17° 23' 36" E
149.46'

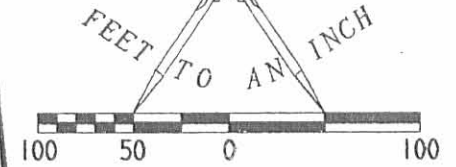
N 35° 10' 00" E
408.58'

S 89° 08' 39" W
316.17'

473.84'
S 05° 20' 17" E

LELA FAYE GRABER
48.16 ACRE TRACT
O.R. 421. PG. 913
PARCEL NO. 1, FIRST TRACT

SCALE
100



PINES LAKE II, LTD.
65.71 ACRES
O.R. 557. PG. 253
TRACT 6

LEGEND

- 5/8 INCH IRON ROD SET
- 5/8 INCH IRON ROD FOUND
- ⊗ RAILROAD SPIKE FOUND

SURVEYED BY:

Jeffrey I. Lee
JEFFREY I. LEE
PROFESSIONAL SURVEYOR 6359
NOVEMBER 6, 2003

**SURVEY OF
8.392 ACRES OUT OF THE
LELA FAYE GRABER
ORIGINAL 14.809 ACRE TRACT
OFFICIAL RECORD 421. PAGE 913
PARCEL NO. 3
VIRGINIA MILITARY SURVEY 3442
JEFFERSON TOWNSHIP
LOGAN COUNTY, OHIO**



ORIGINAL STAMP IN GREEN

COPYRIGHT 1998 BY:
LEE SURVEYING & MAPPING CO., INC.
117 North Madriver Street
BELLEFONTAINE, OHIO 43311
(937) 593-7335

D 411 JSTANLE3 L-1416-3

2 WORKING DAYS
BEFORE YOU DIG
CALL TOLL FREE **800-362-2764**
OHIO UTILITIES PROTECTION SERVICE.

INDEXED ON MAP
7537 3P

Received 6-6-90

OK 6-9-86 C.R

Lee Surveying and Mapping Co.



Farm Surveys • Lot Surveys • Topography • Subdivisions • Construction Layout

855 EAST SANDUSKY AVENUE
BELLEFONTAINE, OHIO 43311

(513) 593-5780

CLAYTON M. LEE, P.S.
JEFFREY I. LEE, P.S.

PHILLIP STANLEY SURVEY

Lying in V.M.S. 3442, Jefferson Township, Logan County, Ohio.

Being out of that original 106.8 acres as deeded and described in Volume 402, Page 648 of the Logan County Records of Deeds and being more particularly described as follows:

Beginning at a 5/8" iron rod set on the east right-of-way line of County Highway No. 9 at 60.00 feet right of Station 62+78 of the center-line survey of said highway (See county engineer Drawing X-9C and Deed Volume 368, Page 545). This beginning point also being the northwest corner of the Dipple tract (Volume 398, Page 411).

THENCE, with the said east right-of-way line, N 35°-10' E, a distance of 122.00 feet to an angle in said right-of-way line at 60 feet right of Station 64.00.

THENCE, continuing with said right-of-way, N 33°-53'-40" E, a distance of 351.10 feet to a 5/8" iron rod.

THENCE, S 62°-50' E, a distance of 287.28 feet to a 5/8" iron rod.

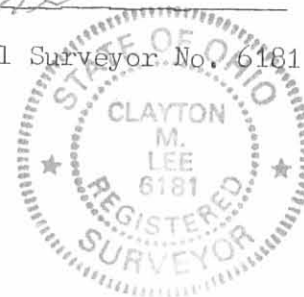
THENCE, S 35°-10' W, a distance of 474.11 feet to a 5/8" iron rod at the northeast corner of the said Dipple tract.

THENCE, with the north line of said Dipple tract, N 62°-50' W, a distance of 279.41 feet to the point of beginning.

Containing 3.043 acres.

Prepared by:

Clayton M. Lee
Registered Professional Surveyor No. 6181
June 5, 1986



ORIGINAL STAMP IN GREEN

This description prepared from an actual field survey.

L-1416

INDEXED ON MAP
7537 4D

S 62°-50' E
287.28'

PK 52.72

CO. HWY. 9

PT. LOGAN COUNTY COMMISSIONERS, 2.789 AC.
VOL. 358, PG. 545

SCALE
1" = 50'

3.043 ACRES

● DESIGNATE
5/8" IRON ROD SET

N 35°-10' E
474.11'

351.10

N 33°-53'-36" E

HWY. R/W
(SEE CO. ENGR. DRAWING X-90)

S 35°-10' W
474.11'

ST. 64+00
CO. HWY. DRAWING X-90

122.00

N 35°-10' E
CLEARING
BENEFIS

BEGINNING
POINT

60' RT.
STA. 62+72

N 62°-50' W

279.41'

M. G. DIXIE
VOL. 398, PG. 411

PK

60.59'

5.3'

JEFFERSON LAKE
R/W
DRAWING X-90

62+69.57
62+78.8

SURVEY OF 3.043 ACRES OUT OF THE
PHILLIP STANLEY LANDS (VOL. 402, PG. 648)
V.M.S. 3442, JEFFERSON TWP.
LOGAN COUNTY, OHIO

By: Clayton M. Lee
CLAYTON M. LEE
PROF. SURVEYOR 6181
MAY 19, 1986



INDEXED ON MAP
7537 4R

Received 6-16-95 OK GCH



Lee Surveying and Mapping Co.



Farm Surveys • Lot Surveys • Topography • Subdivisions • Construction Layout

143 EAST COLUMBUS AVENUE
BELLEFONTAINE, OHIO 43311

(513) 593-7335

JEFFREY I. LEE, P.S.

STANLEY 14.809 ACRES

Lying in Virginia Military Survey 3442, Jefferson Township, Logan County, Ohio.

Being the remainder of the Martha J. Stanley 21.61 acre and 0.5 acre tracts as deeded and described in Official Record 222, Page 601, Parcels 3 and 4, of the Logan County Records of Deeds and being more particularly described as follows:

Beginning at a 5/8 inch iron rod set at 42.20 feet right of Logan County Highway 9 Station 72+00.9 which is the northwest corner of the Richard E. Peterson 3.176 acre tract (O.R. 87, Page 85) .

THENCE, with the right-of-way of County Highway 9 (Logan County Commissioners 2.789 acre tract in Volume 368, Page 545) the following two courses:

N 33°-53'-37" E, a distance of 99.12 feet to a 5/8 inch iron rod set 40.00 feet right of Station 73+00.

N 38°-58'-51" E, a distance of 182.06 feet to a 5/8 inch iron rod set.

THENCE, with the southerly line of the Martha J. Stanley 1.53 acre tract (O.R. 222, Pg. 601, Par. I, Tr. 2), S 57°-11'-55" E, a distance of 400.22 feet to a 5/8 inch iron rod set at the southeast corner of the said 1.53 acre tract.

THENCE, with the west lines of the Martha J. Stanley 48.16 acre tract (O.R. 222, Pg. 601, Par. I, Tr. 1) and the Dana L. Baker 65.71 acre tract (O.R. 82, Pg. 778, Tr. 6), S 5°-20'-17" E, a distance of 1033.56 feet to a 5/8 inch iron rod set.

THENCE, with the north line of the Max E. Varner 79.91 acre tract (Vol. 329, Pg. 179, Tr. 3), S 89°-08'-39" W, a distance of 916.17 feet to a 5/8 inch iron rod set.

THENCE, with the easterly line of the Millard Gene Dipple 1.71 acre tract (O.R. 51, Pg. 497), N 17°-23'-36" E, a distance of 149.46 feet to a 5/8 inch iron rod set.

THENCE, with the easterly lines of the John D. Green 3.043 acre tract (O.R. 49, Pg. 85) and the aforementioned 3.176 acre tract, N 35°-10'-00" E, a distance of 865.77 feet to a 5/8 inch iron rod set.

THENCE, with the lines of the said 3.176 acre tract the following two courses:

N 13°-03'-20" W, a distance of 182.89 feet to a 5/8 inch iron rod set.

N 87°-47'-48" W, a distance of 188.44 feet to the point of beginning.

Containing 14.809 acres.

The basis for bearings is based upon the center-line of County Highway 9 being N 35°-10'-00" E, and all other bearings are from angles and distances measured in a field survey by Lee Surveying and Mapping Company on June 6, 1995.

Description prepared by:



ORIGINAL STAMP IN GREEN

Jeffrey I. Lee
Professional Surveyor 6359
June 7, 1995
Revised June 15, 1995

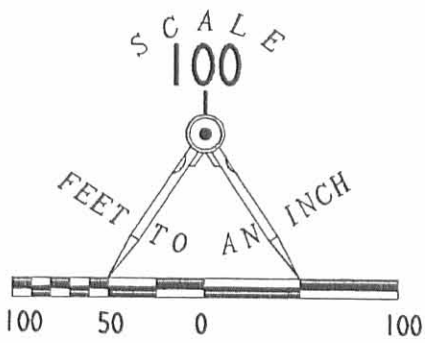
L 1416

INDEXED ON MAP
7537 5D



SURVEY OF MARTHA J. STANLEY
 21.61 ACRE AND 0.5 ACRE TRACTS
 OFFICIAL RECORD 222, PAGE 601
 VIRGINIA MILITARY SURVEY 3442
 JEFFERSON TOWNSHIP
 LOGAN COUNTY, OHIO

P.I. STATION 83+11.69



LEGEND

- 1" IRON ROD FOUND IN MONUMENT BOX
- ⊗ RAILROAD SPIKE FOUND IN MONUMENT BOX
- 5/8" IRON ROD SET

REFERENCES

LOGAN COUNTY ENGINEER'S FILES:
 "R" FILES 2082
 "X" FILES 9C PAGE 85 OF 94
 "X" FILES 9C PAGE 86 OF 94
 "X" FILES 9C PAGE 87 OF 94
 FIELD BOOK 578, PAGES 15, 16

COUNTY HIGHWAY 9 (SANDUSKY ROAD)

14.809 ACRES

STATION 62+68.5

STATION 58+95.5

MILLARD GENE DIPPLE
 1.71 ACRES
 O.R. 51, PG 497

JOHN D. GREEN
 3.043 ACRES
 O.R. 49, PG 85

MAX E. VARNER
 79.91 ACRES
 VOL 329, PG 179
 TRACT 3



ORIGINAL STAMP IN GREEN

SURVEYED BY:

Jeffrey T. Lee
 JEFFREY T. LEE
 PROFESSIONAL SURVEYOR 6359
 JUNE 6, 1995

COPYRIGHT 1995 BY:
 LEE SURVEYING & MAPPING CO.
 143 East Columbus Avenue
 BELLEFONTAINE, OHIO 43311
 (513) 593-7335

D 260 JSTANLEY L-1416-2

STATION 73+00
 40' RIGHT

STATION 72+00.9'
 42.20' RIGHT

STATION 69+93.3

RICHARD E. PETERSON
 3.176 ACRES
 O.R. 87, PG 85

MARTHA J. STANLEY
 1.53 ACRES
 O.R. 222, PG 601
 PARCEL 1, TRACT 2

MARTHA J. STANLEY
 48.16 ACRES
 O.R. 222, PG 601
 PARCEL 1, TRACT 1

DANA L. BAKER
 65.71 ACRES
 O.R. 82, PG 778
 TRACT 6

LOGAN COUNTY COMMISSIONERS
 2.788 AC.
 VOL. 368, PG. 545

N 35° 10' 00" E (BASIS FOR BEARINGS)
 1488.13'

N 38° 58' 51" E
 182.06'

N 33° 53' 37" E
 99.12'

188.44'
 N 87° 47' 48" W

N 13° 03' 20" W
 182.89'

N 33° 10' 00" E
 865.77'

1033.56'
 S 05° 20' 17" E

916.17'
 S 89° 08' 39" W

N 17° 23' 36" E
 149.46'

INDEXED ON MAP
 7537 5P