

Linson Survey Lake Township (East Tract) 0.59 Acre March 1952

The following described land in Lake Township, Logan County Ohio, and being in V.M.S. 2873.

Beginning in the center of State Highway Number 236 (State Route Number 47) mid way between two concrete right of way posts said posts being station 35 plus 00 as shown on Logan County Engineer's Road Plan L - 22 page I thence with the center of State Highway Number 236 (sometimes referred to as Rush Ave.) N. 54° - 31' E. 275.60 feet for the beginning point of this survey thence S. 35° - 29' E. 220.00 feet to an iron pipe the last described line passing an iron pipe at the south side of the State Highway at 30.00 feet thence N. 54° - 31' E. 25.00 feet to an iron pipe in the west line of Paul F. Sugrue's 77.83 acre tract thence with the west side of said Sugrue land and following the present fence line N. 4° - 12' E. 285.87 feet to the center of the State Highway thence with the center of the State Highway S. 54° - 31' W. 207.53 feet to the place of beginning said tract containing 0.59 of one acre.

cc
E.K.Core,
Logan County Engineer.

2897

Linson Survey Lake Township (Middle Tract) 0.56 Acre March 1952

The following described land in Lake Township, Logan County Ohio, and being in V.M.S. 2873

Beginning at the center of State Highway Number 236 (State Route Number 47) mid way between two concrete right of way posts said posts being station 35 plus 00 as shown on Logan County Engineer's ~~V1A/~~ Road Plan L - 22 page I thence with the center of the State Highway (sometimes referred to as Rush Ave.) N. 54° - 31' E. 165.60 feet for the beginning point of this survey thence S. 35° - 29' E. 220.00 feet to an iron pipe the last described line passing an iron pipe at ~~30.00/100.00/~~ the south side of the State Highway at 30.00 feet thence N. 54° - 31' E. 110.00 feet to an iron pipe thence N. 35° - 29' W. 220.00 feet to the center of the State Highway the last described line passing an iron pipe at the south side of the State Highway at 190.00 feet thence with the center of the State Highway ~~100.00/100.00/~~ S. 54° - 31' W. 110.00 feet to the place of beginning said tract containing 0.56 of one acre.

cc
E.K.Core,
Logan County Engineer.

2892 10-2
INDEXED ON MAP

Linson Survey Lake Township (West Tract) 0.56 Acre March 1952

The following described land in Lake Township , Logan County Ohio, and being in V.M.S. 2873.

Beginning in the center of State Highway Number 236 (State Route Number 47) mid way between two concrete right of way posts said posts being station 35 plus 00 as shown on Logan County Engineer's Road plan L - 22 page I thence with the center of State Highway (sometimes referred to as Rush Ave.) N. 54° - $31'$ E. 55.60 feet for the beginning point of this survey thence S. 35° - $29'$ E. 220.00 feet to an iron pipe the last described line passing an iron pipe at the south side of the State Highway at 30.00 feet thence N. 54° - $31'$ E. 110.00 feet to an iron pipe thence N. 35° - $29'$ W. 220.00 feet to the center of the State Highway the last described line passing an iron pipe at the south side of the State Highway at 190.00 feet thence with the center of the State Highway S. 54° - $31'$ W. 110.00 feet to the place of beginning said tract containing 0.56 of one acre.

cc
E.K. Core,
Logan County Engineer.

2897 10-3
INDEXED ON MAP

248-397

YOESTING DESCRIPTION

Being situated in Lake Township, Logan County, Ohio;
and being a part of V. M. S. #2873.

Beginning at an iron at the intersection of Allisen
Road and State Route #47, thence with State Route #47
N50°31'E 231.6 feet to the point of beginning for this
description; said point also the Northeast corner of D.
Nogle's 1.11 acre tract.

Thence with State Route #47 N50°31'E 163.4 feet; thence
S37°49'E 310.0 feet to an iron, passing thru a corner post
at 30.0 feet; thence S50°31'W 118.5 feet to an iron in the
east line of D. Nogle's 1.11 acre tract; thence with the
east line of D. Nogle's 1.11 acre tract N46°04'W 312.0
feet to the place of beginning.

Containing 1.00 acre more or less.

Surveyed from a 8.40 acre tract belonging to Wm. Shrader.



*(said they trans. 7.00 or 8.40?)
Should have been 1.00*

on Plat Book

2897 2D-1

1959

Yoesting Description

Being situated in Lake Township, Logan County, Ohio and being a part of V. M. S. #2873.

Beginning in the center of State Route #47 at the northwest corner of a lane to John B. Traul's land, said beginning point is $N50^{\circ}-31'$ E 252.2 feet from an iron at the intersection of Allison Road and State Route #47. Thence with State Route #47 $N50^{\circ}-31'$ E 142.8 feet; thence $S37^{\circ}-49'$ E 435.8 feet to an iron in the north side of said lane to John B. Traul's land, passing through a corner post at 30.0 feet; thence with the north side of said lane $S88^{\circ}-00'$ W 111.9 feet to a hub at the angle in the lane of John B. Traul's land; thence with the northeast side of said lane $N45^{\circ}-54'$ W 369.7 feet to the place of beginning.

Containing 1.05 acre more or less.



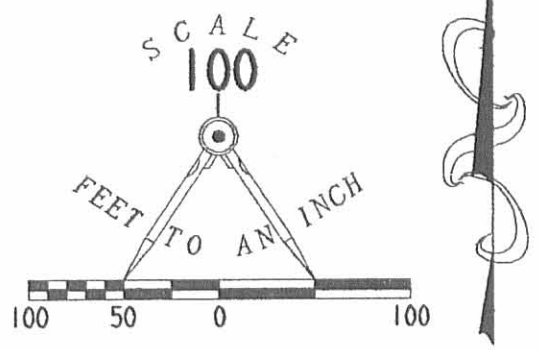
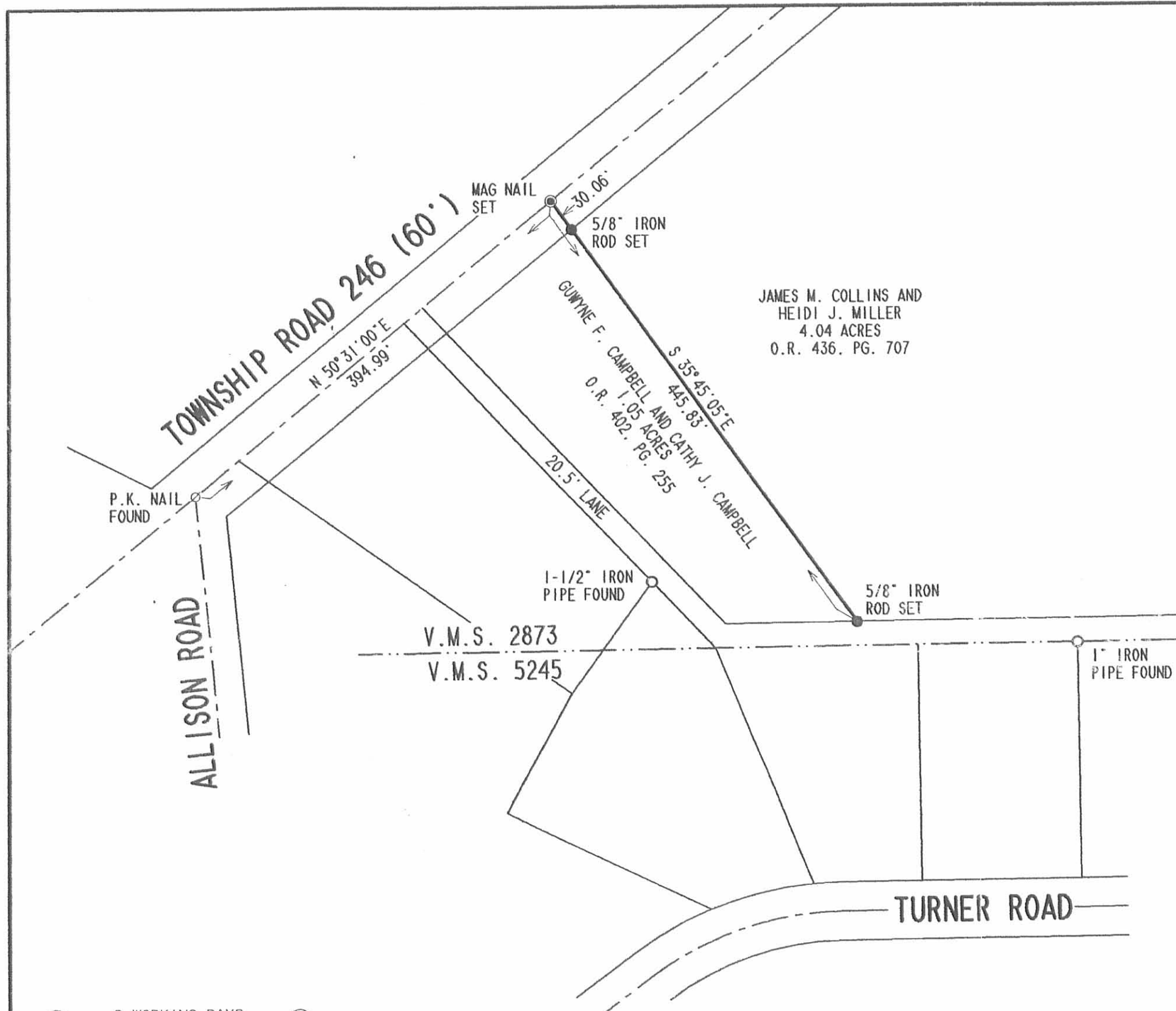
This is a correction and revision of the description written in 1957. Wm. S. Trader has 7.35 acres remaining

on Plat

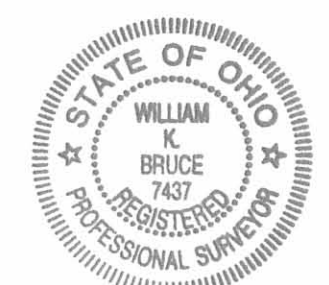
2897 2D-2

INDEXED ON MAP

Red 5-9-03 SMY OK



RETRACEMENT SURVEY OF THE WEST LINE OF THE
 JAMES M. COLLINS AND
 HEIDI J. MILLER
 4.04 ACRE TRACT
 OFFICIAL RECORD 436, PAGE 707
 VIRGINIA MILITARY SURVEY 2873
 LAKE TOWNSHIP
 LOGAN COUNTY, OHIO



ORIGINAL STAMP IN GREEN

SURVEYED BY:
William K. Bruce
 WILLIAM K. BRUCE
 PROFESSIONAL SURVEYOR 7437
 MAY 2, 2003

COPYRIGHT 2003 BY:
 LEE SURVEYING & MAPPING CO., INC.
 117 North Madriver Street
 BELLEFONTAINE, OHIO 43311
 (937) 593-7335

D 407 HCOLLINS L-3575-3 ✓

2 WORKING DAYS
BEFORE YOU DIG
 CALL TOLL FREE **800-362-2764**
 OHIO UTILITIES PROTECTION SERVICE

INDEXED ON MAP
 2897 3P

LINSON SURVEY

V. M. S. 2873
Lake Township

May 9, 1958

The following described real estate situated in Lake Township, Logan County, Ohio and being part of Virginia Military Survey 2873 and more particularly described as follows:

Beginning at a point in the center of State Route No. 47 at the south~~east~~^{west} corner of Stephen Whitlatch's 0.56 acre tract, said point being Station 36+65.6 as shown on Logan County Engineer's Plan L-5, sheet 4; thence with said Whitlatch's south line S. 35°-29' E. 220.0 feet to an iron pipe, passing a pipe in the east line of said road at 30.0 feet; thence S. 54°-31' W. 183.0 feet to an iron pipe; thence N. 35°-29' W. 220.0 feet to the center of said State Route No. 47 (Sta. 34+82.6), passing a pipe in the east line of said road at 190.0 feet; thence with said center line N. 54°-31' E. 183.0 feet to the place of beginning.

Containing 0.92 of an acre more or less.

on Plat Book

2897 4D

Knight Survey
Wake Township

V.M.S. 2873

D. Dodson - V. Detrick

INDEXED ON MAP
2897

5/9/58 10

