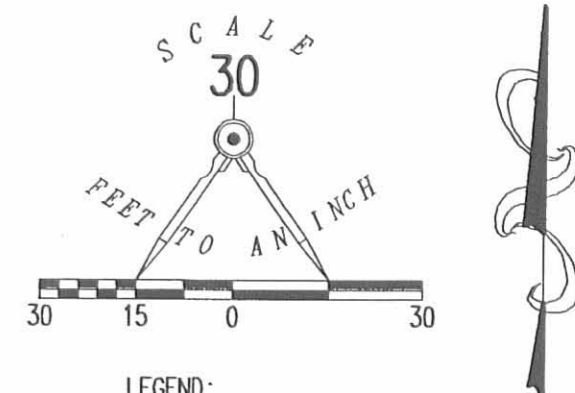
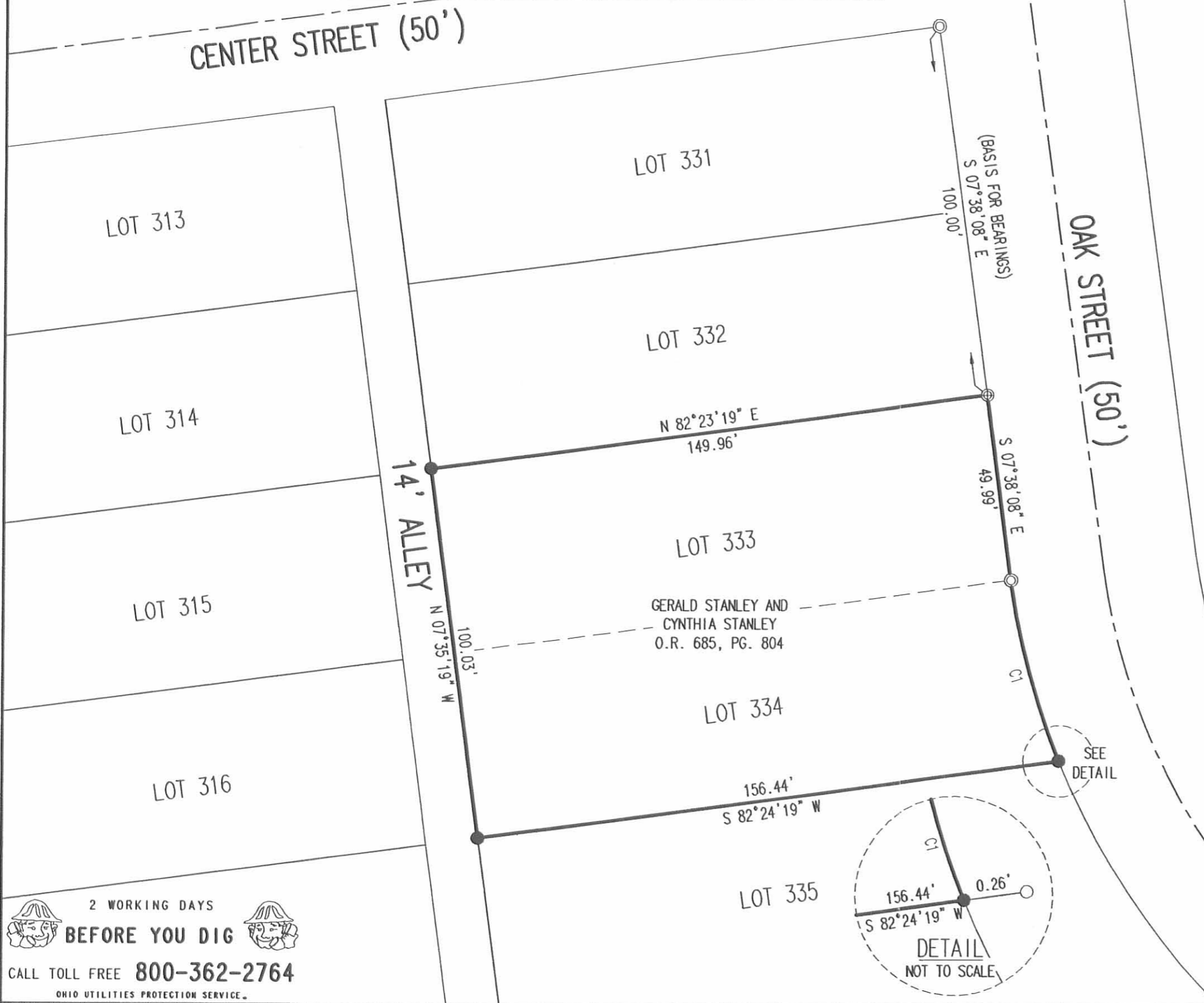


REV'D 9-10-06 SMY OK

CURVE	DELTA ANGLE	RADIUS	ARC LENGTH	CHORD BEARING	CHORD LENGTH
C1	14°30'15"	200.00'	50.63'	N 14°54'56" W	50.49'



RETRACEMENT SURVEY OF THE
 GERALD STANLEY AND
 CYNTHIA STANLEY
 LOTS 333 AND 334
 NICHALSON FAIR VIEW ADDITION
 PLAT CABINET A, SLIDE 145
 OFFICIAL RECORD 685, PAGE 804
 VILLAGE OF LAKEVIEW
 STOKES TOWNSHIP
 LOGAN COUNTY, OHIO

SURVEYED BY:

 JEFFREY I. LEE
 PROFESSIONAL SURVEYOR 6359
 AUGUST 31, 2006

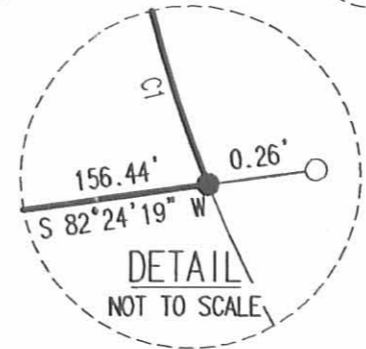


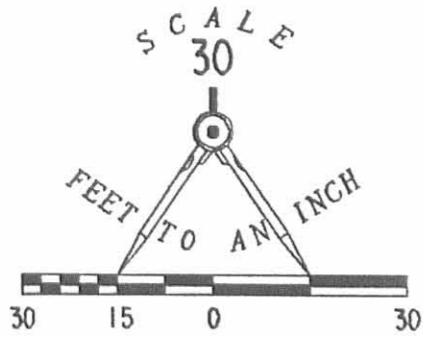
ORIGINAL STAMP IN GREEN

COPYRIGHT 2006 BY:
 LEE SURVEYING & MAPPING CO., INC.
 117 North Madriver Street
 BELLEFONTAINE, OHIO 43311
 (937) 593-7335
 KSR D0906 4305086 L-4305-3

2 WORKING DAYS
BEFORE YOU DIG
 CALL TOLL FREE **800-362-2764**
 OHIO UTILITIES PROTECTION SERVICE.

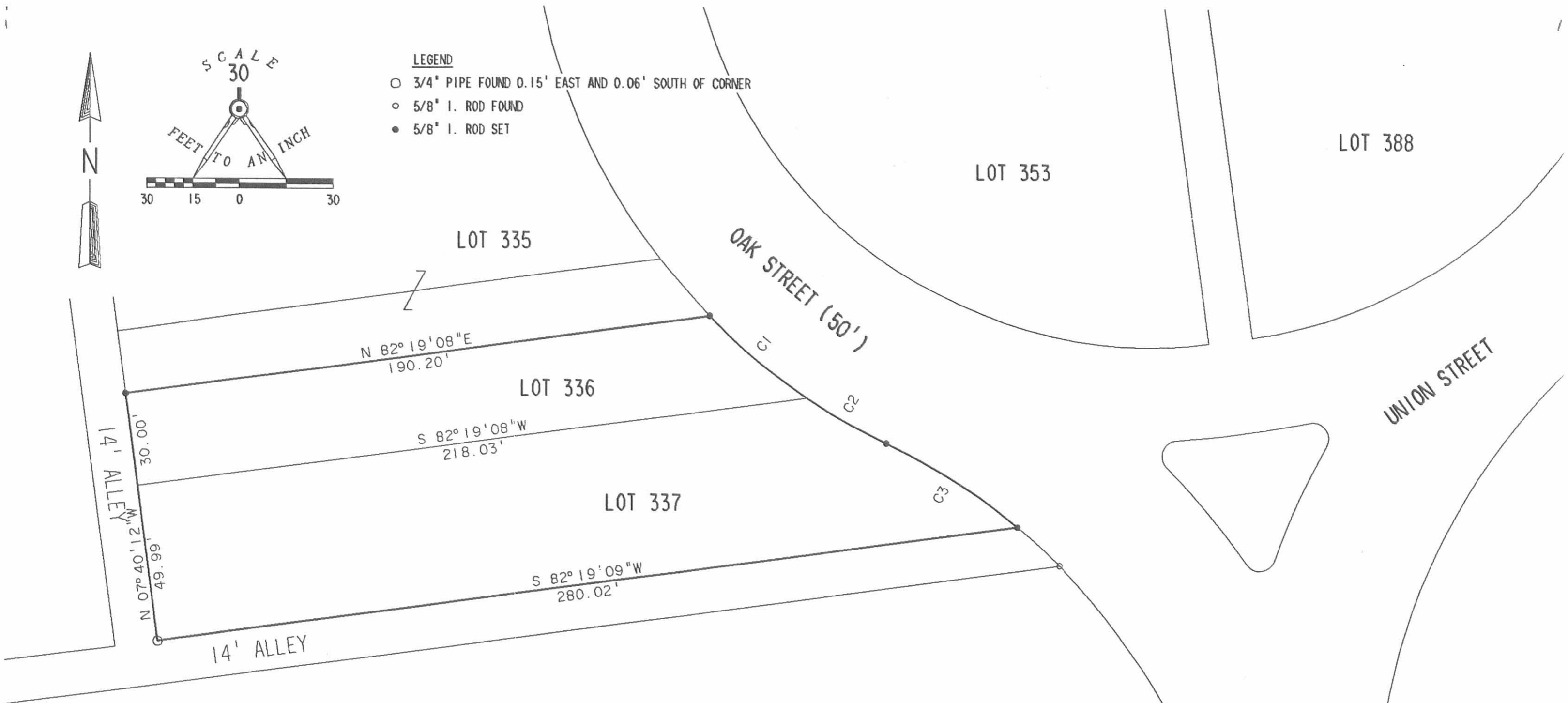
INDEXED ON MAP
 8082 IP





LEGEND

- 3/4" PIPE FOUND 0.15' EAST AND 0.06' SOUTH OF CORNER
- 5/8" I. ROD FOUND
- 5/8" I. ROD SET



CURVE	DELTA ANGLE	RADIUS	ARC	TANGENT	CHORD	CHORD BEARING
C 1	11° 44' 38"	199.97'	40.99'	20.57'	40.92'	S 50° 31' 33" E
C 2	08° 29' 21"	199.97'	29.63'	14.84'	29.60'	S 60° 38' 32" E
C 3	14° 22' 33"	200.00'	50.18'	25.22'	50.05'	S 57° 41' 50" E

SURVEY OF LOT 337 AND 30.00 FEET OFF THE SOUTH SIDE OF LOT 336
 NICHALSON FAIRVIEW ADDITION TO LAKEVIEW
 SECTION 34, T-6, R-8, STOKES TOWNSHIP, LOGAN COUNTY, OHIO

INDEXED ON MAP
8082 2P

SURVEYED BY:

 JEFFREY I. LEE
 PROFESSIONAL SURVEYOR 6359
 OCTOBER 25, 1990



ORIGINAL STAMP IN GREEN

INDEXED ON MAP
8082

LEE SURVEYING & MAPPING CO.
 143 East Columbus Avenue
 BELLEFONTAINE, OHIO 43311
 (513) 593-7335