

LESLIE H. GEESLIN
REGISTERED SURVEYOR NO 5248
P. O. BOX 274
RUSHSVLVANIA, OHIO 43347

TELEPHONE: (513) 468-2793

HURLEY SURVEY

May 30, 1990

The following described real estate situated in the State of Ohio, County of Logan, Township of Richland, being part of Virginia Military Survey 9948 and more particularly described as follows:

Beginning at a cap and nail set in the north line of said V. M. S. 9948 and the centerline of County Highway 96 that is N. 80° 00' 00" E. 1062.80 feet from the northwest corner of William C. Hurley's 50.29 acre tract as described in D. B. Vol. 391 Page 988.

Thence with said centerline N. 80° 00' 00" E. 195.00 feet to a cap and nail set.

Thence S. 10° 00' 00" E. 250.00 feet to a 5/8 inch iron bar set, passing a 5/8 inch iron bar set at 25.00 feet.

Thence S. 80° 00' 00" W. 195.00 feet to a 5/8 inch iron bar set.

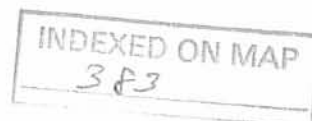
Thence N. 10° 00' 00" W. 250.00 feet to the place of beginning, passing a 5/8 inch iron bar set at 225.00 feet.

Containing 1.119 acres more or less.

The above described 1.119 acre tract being on the north side of William C. Hurley's 50.29 acre tract and the bearings are based on the centerline of C. H. 96 in this field survey.

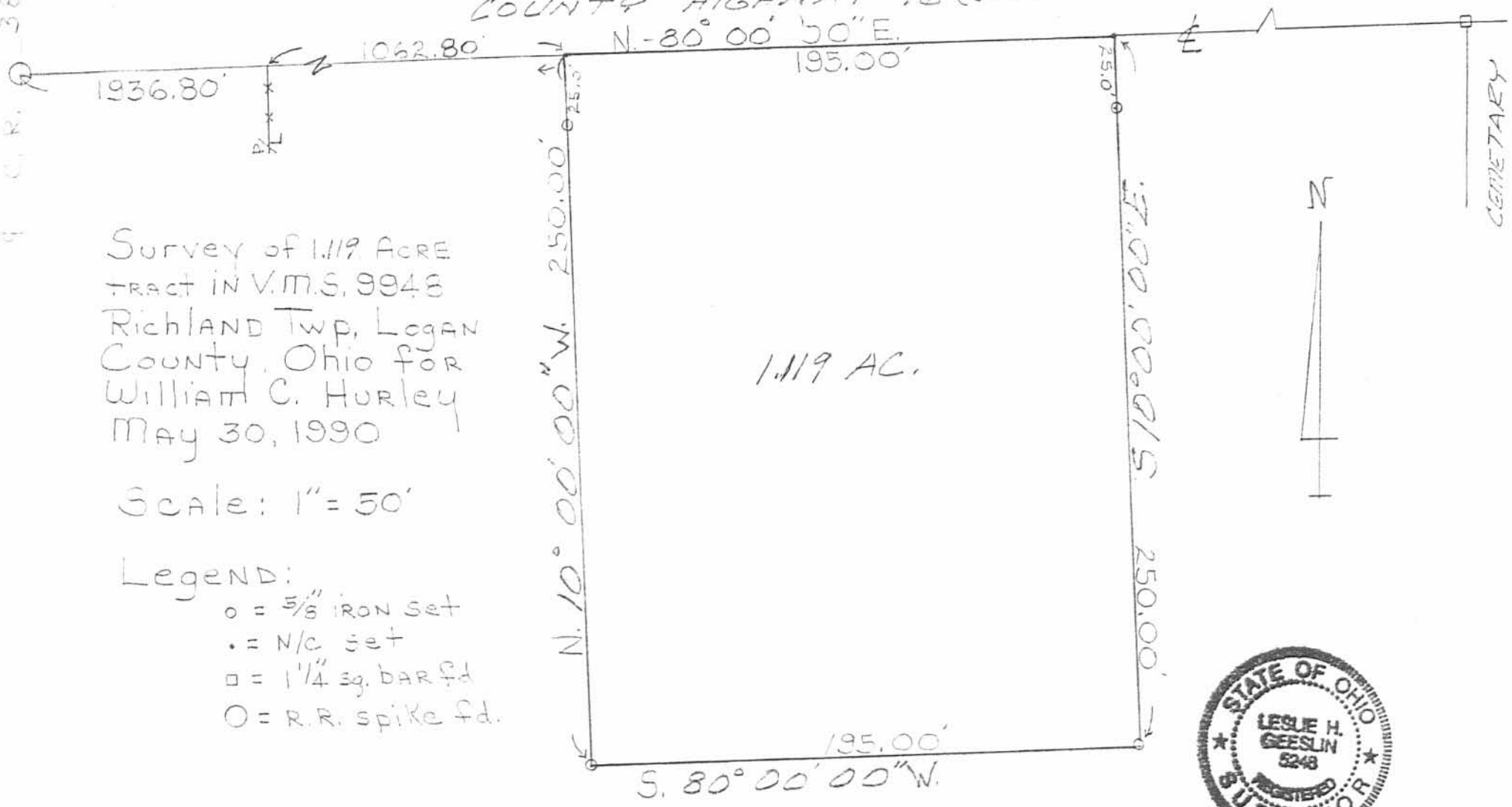


Leslie H. Geeslin



4 C.R. 38

COUNTY HIGHWAY 76 (50')



Survey of 1.119 ACRE
 TRACT IN V.M.S. 9948
 RICHLAND TWP, LOGAN
 COUNTY, OHIO FOR
 WILLIAM C. HURLEY
 MAY 30, 1990

1.119 AC.

Scale: 1" = 50'

Legend:

- o = 5/8" iron set
- . = N/C set
- = 1/4" sq. BAR fd
- O = R.R. spike fd.



SECRETARY



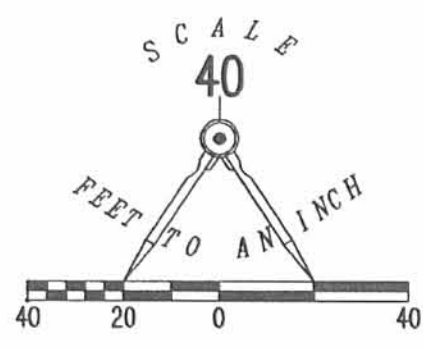
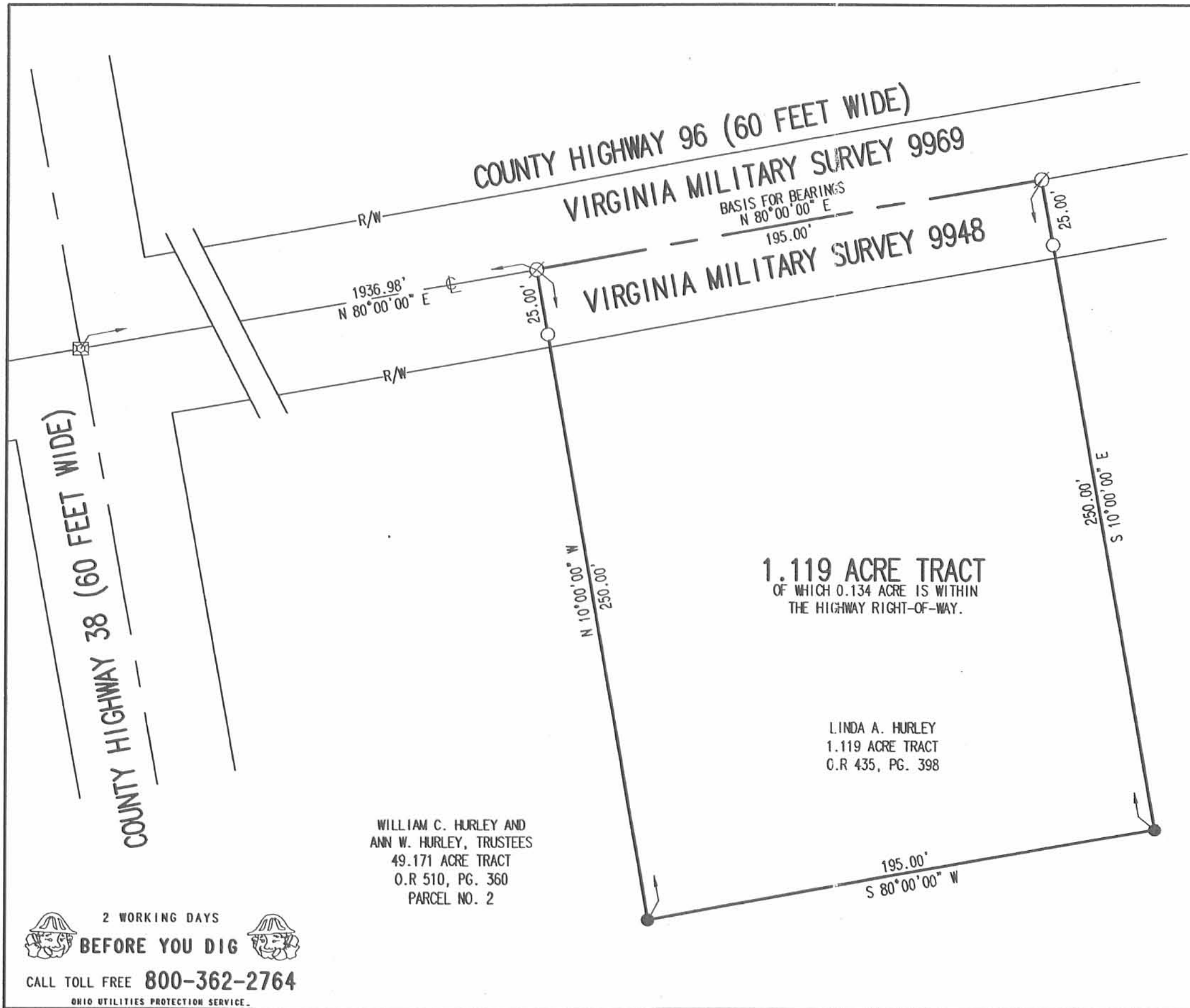
WILLIAM C. HURLEY
 50.29 AC
 D.B. VOL. 391 PG 788

Leslie H. Geeslin
 Leslie H. Geeslin
 Bushsylvania, Ohio

INDEXED ON MAP
 383

IP

REC'D 10-26-04 8M/OK



- LEGEND
- ☒ STONE FOUND INSIDE MONUMENT BOX
 - ⊗ P.K. NAIL FOUND
 - 5/8 INCH IRON ROD FOUND
 - 5/8 INCH IRON ROD SET

A RETRACEMENT SURVEY OF THE
 LINDA A. HURLEY
 ORIGINAL 1.119 ACRE TRACT
 OFFICIAL RECORD 435, PAGE 398
 VIRGINIA MILITARY SURVEY 9948
 RICHLAND TOWNSHIP
 LOGAN COUNTY, OHIO

1.119 ACRE TRACT
 OF WHICH 0.134 ACRE IS WITHIN
 THE HIGHWAY RIGHT-OF-WAY.

LINDA A. HURLEY
 1.119 ACRE TRACT
 O.R 435, PG. 398

WILLIAM C. HURLEY AND
 ANN W. HURLEY, TRUSTEES
 49.171 ACRE TRACT
 O.R 510, PG. 360
 PARCEL NO. 2

SURVEYED BY:



Jeffrey I. Lee
 JEFFREY I. LEE
 PROFESSIONAL SURVEYOR 6359
 OCTOBER 22, 2004

COPYRIGHT 2004 BY:
 LEE SURVEYING & MAPPING CO., INC.
 117 North Madriver Street
 BELLEFONTAINE, OHIO 43311
 (937) 593-7335

ORIGINAL STAMP IN GREEN

ADW D413 3922104 L-3922104

2 WORKING DAYS
BEFORE YOU DIG
 CALL TOLL FREE **800-362-2764**
 OHIO UTILITIES PROTECTION SERVICE.

INDEXED ON MAP
 303 2P

REC'D 3-16-05 STM/OK

Lee Surveying and Mapping Co., Inc.

Land Surveys • Topography • Subdivisions • Construction Layout

117 N. Madriver St.
Bellefontaine OH 43311



Phone: (937) 593-7335
Fax: (937) 593-7444

1975 - 2005 - 30 YEARS OF EXCELLENCE HURLEY 122.588 ACRE

Lying in Virginia Military Survey 9948, Richland Township, Logan County, Ohio.

Being all of the William C. Hurley and Ann W. Hurley, Trustees of the Hurley Family Trust Dated March 19, 2001, 76.15 acre tract and 49.171 acre tract as deeded and described in Official Record 510, Page 360, Parcel I and II and being more particularly described as follows:

Beginning at a stone found inside a monument box at the northwest corner of Virginia Military Survey 9948 and the intersection of center-lines of County Highway 38 (60 feet wide) and County Highway 96 (60 feet wide).

THENCE, with the south line of Virginia Military Survey 9969 and the center-line of County Highway 96, N 80°-00'-00"E, a distance of 875.11 feet to a MAG nail set at THE TRUE POINT OF BEGINNING.

THENCE, with the south line of Virginia Military Survey 9969 and the center-line of County Highway 96, N 80°-00'-00"E, a distance of 1061.87 feet to a P.K. nail found.

THENCE, with the lines of the Linda A. Hurley 1.119 acre tract (O.R. 435, Pg. 398) the following three courses:

S 10°-00'-00"E, a distance of 250.00 feet to a 5/8 inch iron rod found, passing a 5/8 inch iron rod found at 25.00 feet.

N 80°-00'-00"E, a distance of 195.00 feet to a 5/8 inch iron rod found.

N 10°-00'-00"W, a distance of 250.00 feet to a P.K. nail found, passing a 5/8 inch iron rod found at 225.00 feet.

THENCE, with the south line of Virginia Military Survey 9969 and the center-line of County Highway 96, N 80°-00'-00"E, a distance of 1513.33 feet to a stone found inside a monument box.

THENCE, with the west line of the Wayne Wickerham original 148.88 acre tract (O.R. 103, Pg. 961, Tract I), S 9°-52'-36"E, a distance of 2960.96 feet to a point in a 36 inch ash tree, passing 5/8 inch iron rods set at 30.00 feet and 2955.96 feet.

INDEXED ON MAP
303

3D-1

Lee Surveying and Mapping Co., Inc.

Land Surveys • Topography • Subdivisions • Construction Layout

117 N. Madriver St.
Bellefontaine OH 43311



Phone: (937) 593-7335
Fax: (937) 593-7444

1975 - 2005 - 30 YEARS OF EXCELLENCE

THENCE, with the lines of the G. William Hartzell, Trustee of the G. William Hartzell Declaration of Trust, dated June 5, 1990, 367.04 acre tract (O.R. 682, Pg. 669), the following four courses:

S 85°-11'-19"W, a distance of 652.70 feet to a point in the Miami River, passing 5/8 inch iron rods set at 5.00 feet and 562.70 feet.

N 3°-03'-06"W, a distance of 455.40 feet to a 5/8 inch iron rod set, passing a 5/8 inch iron rod set at 93.00 feet.

N 78°-33'-22"W, a distance of 962.67 feet to a 5/8 inch iron rod set.

S 45°-51'-10"W, a distance of 185.20 feet to a 5/8 inch iron rod set.

THENCE, with the lines of the Vance H. Bickham and Elizabeth A. Bickham, Trustees 103.88 acre tract (O.R. 405, Pg. 300) the following three courses:

N 9°-35'-50"W, a distance of 1079.16 feet to a 5/8 inch iron rod set.

S 79°-56'-54"W, a distance of 1128.31 feet to a 12 inch wood corner post found, passing a 5/8 inch iron rod set at 1126.31 feet.

N 9°-56'-32"W, a distance of 1123.77 feet to the point of beginning, passing 5/8 inch iron rods set at 2.00 feet and 1093.77 feet

Containing 122.588 acres of which 1.774 acre is within the highway right-of-way.

The basis for bearings is the north line of Virginia Military Survey 9948 being, N 80°-00'-00"W, and all other bearings are from angles and distances measured in a field survey by Lee Surveying and Mapping Co., Inc. on March 11, 2005.

Description prepared by:

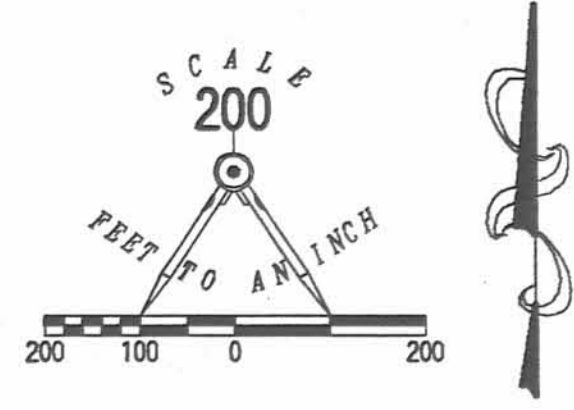


ORIGINAL STAMP IN GREEN

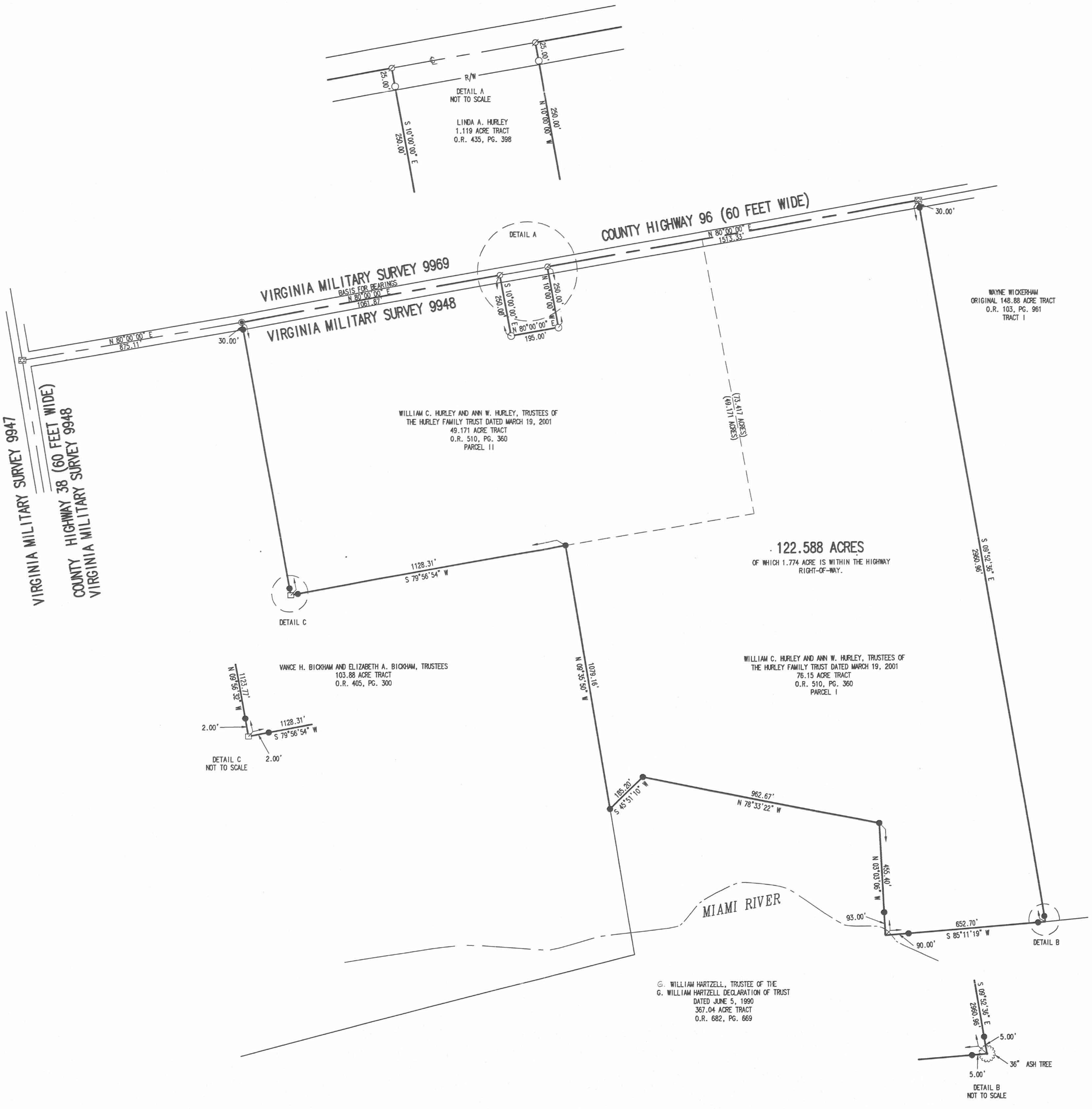
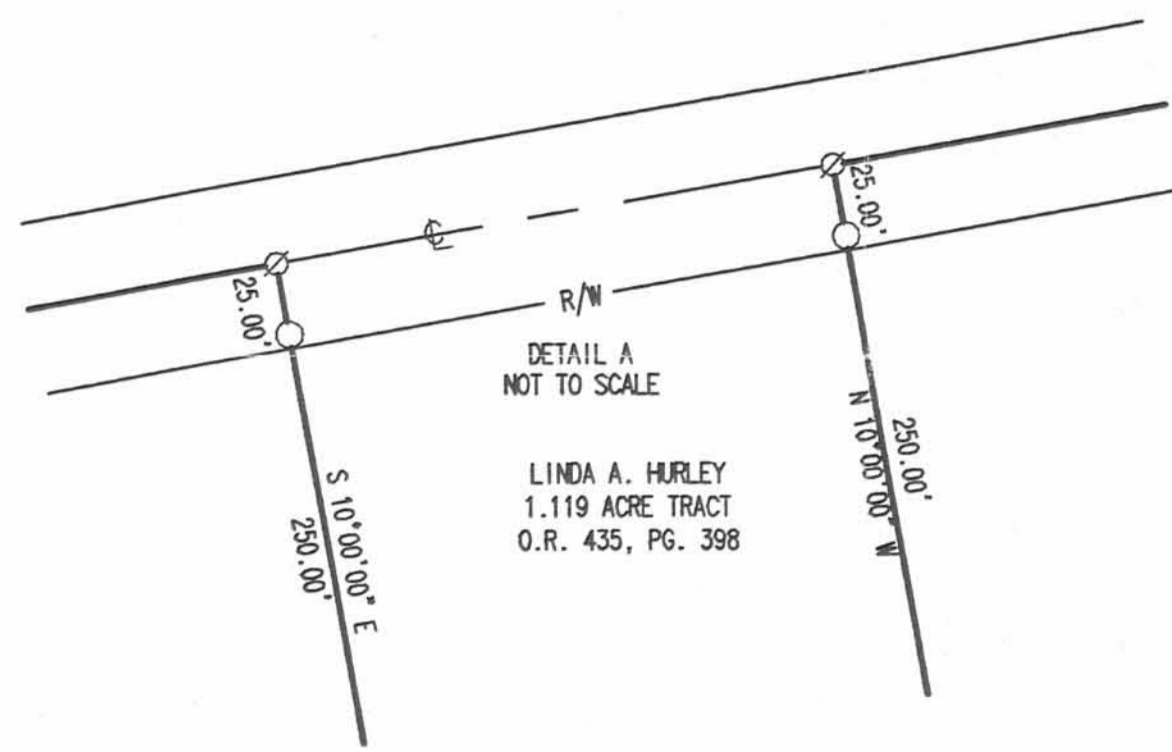
A handwritten signature in black ink, appearing to read 'Jeffrey I. Lee'.
Jeffrey I. Lee
Professional Surveyor 6359
March 11, 2005



L-3922035
3D-2

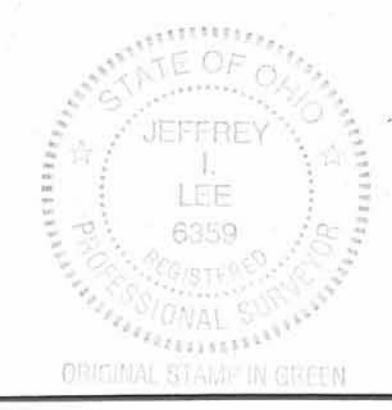


- LEGEND
- 5/8 INCH IRON ROD SET
 - 5/8 INCH IRON ROD FOUND
 - ☒ STONE FOUND INSIDE A MONUMENT BOX
 - ⊙ MAG NAIL SET
 - ⊗ P.K. NAIL FOUND
 - 12 INCH WOOD CORNER POST FOUND



A SURVEY OF ALL
WILLIAM C. HURLEY AND ANN W. HURLEY,
TRUSTEES OF THE HURLEY FAMILY TRUST DATED MARCH 19, 2001
76.15 ACRE TRACT AND 49.171 ACRE TRACT
OFFICIAL RECORD 510, PAGE 360, PARCEL I AND II
VIRGINIA MILITARY SURVEY 9948
RICHLAND TOWNSHIP
LOGAN COUNTY, OHIO

SURVEYED BY:
JEFFREY J. LEE
PROFESSIONAL SURVEYOR 6359
MARCH 11, 2005



COPYRIGHT 2005 BY:
LEE SURVEYING & MAPPING CO., INC.
117 North Madriver Street
BELLEFONTAINE, OHIO 45311
(937) 593-7335

REV'D 8-26-05 GMY/ok

Lee Surveying and Mapping Co., Inc.

Land Surveys • Topography • Subdivisions • Construction Layout

117 N. Madriver St.
Bellefontaine OH 43311



Phone: (937) 593-7335
Fax: (937) 593-7444

1975 - 2005 - 30 YEARS OF EXCELLENCE
HURLEY
49.147 ACRES

Lying in Virginia Military Survey 9948, Richland Township, Logan County, Ohio.

Being all of the William C. Hurley and Ann W. Hurley, Trustees of the Hurley Family Trust Dated March 19, 2001, 49.171 acre tract as deeded and described in Official Record 510, Page 360, Parcel II and being more particularly described as follows:

Beginning at a stone found inside a monument box at the northwest corner of Virginia Military Survey 9948 and the intersection of center-lines of County Highway 38 (60 feet wide) and County Highway 96 (60 feet wide).

THENCE, with the south line of Virginia Military Survey 9969 and the center-line of County Highway 96, N 80°-00'-00"E, a distance of 875.11 feet to a MAG nail set at THE TRUE POINT OF BEGINNING.

THENCE, with the south line of Virginia Military Survey 9969 and the center-line of County Highway 96, N 80°-00'-00"E, a distance of 1061.87 feet to a P.K. nail found.

THENCE, with the lines of the Linda A. Hurley 1.119 acre tract (O.R. 435, Pg. 398), the following three courses:

S 10°-00'-00"E, a distance of 250.00 feet to a 5/8 inch iron rod found, passing a 5/8 inch iron rod found at 25.00 feet.

N 80°-00'-00"E, a distance of 195.00 feet to a 5/8 inch iron rod found.

N 10°-00'-00"W, a distance of 250.00 feet to a P.K. nail found, passing a 5/8 inch iron rod found at 225.00 feet.

THENCE, with the south line of Virginia Military Survey 9969 and the center-line of County Highway 96, N 80°-00'-00"E, a distance of 693.73 feet to a MAG nail set.

THENCE, with the lines of the William C. Hurley and Ann W. Hurley, Trustees of the Hurley Family Trust Dated March 19, 2001, 76.15 acre tract (O.R. 510, Pg. 360, Parcel I), the following two courses:

S 9°-52'-36"E, a distance of 1122.02 feet to a 5/8 inch iron rod set, passing a 5/8 inch iron rod set at 30.00 feet.

Lee Surveying and Mapping Co., Inc.

Land Surveys • Topography • Subdivisions • Construction Layout

117 N. Madriver St.
Bellefontaine OH 43311



Phone: (937) 593-7335
Fax: (937) 593-7444

1975 - 2005 - 30 YEARS OF EXCELLENCE

S 79°-56'-54"W, a distance of 821.01 feet to a 5/8 inch iron rod set.

THENCE, with the lines of the Vance H. Bickham and Elizabeth A. Bickham, Trustees, 103.88 acre tract (O.R. 405, Pg. 300), the following two courses:

S 79°-56'-54"W, a distance of 1128.31 feet to a 12 inch wood corner post found, passing a 5/8 inch iron rod set at 1126.31 feet.

N 9°-56'-32"W, a distance of 1123.77 feet to the point of beginning, passing 5/8 inch iron rods set at 2.00 feet and 1093.77 feet.

Containing 49.147 acres of which 1.209 acres are within the highway right-of-way.

The basis for bearings is the north line of Virginia Military Survey 9948, being N 80°-00'-00"W, and all other bearings are from angles and distances measured in a field survey by Lee Surveying and Mapping Co., Inc. on March 11, 2005, revised August 23, 2005.



ORIGINAL STAMP IN GREEN

Description prepared by:

A handwritten signature in black ink, appearing to read 'Jeffrey I. Lee'.
Jeffrey I. Lee
Professional Surveyor 6359
August 24, 2005

L-3922

INDEXED ON MAP
383

AD-2

REV'D 8-26-05 SML OK

Lee Surveying and Mapping Co., Inc.

Land Surveys • Topography • Subdivisions • Construction Layout

117 N. Madriver St.
Bellefontaine OH 43311



Phone: (937) 593-7335
Fax: (937) 593-7444

1975 - 2005 - 30 YEARS OF EXCELLENCE HURLEY 73.441 ACRES

Lying in Virginia Military Survey 9948, Richland Township, Logan County, Ohio.

Being all of the William C. Hurley and Ann W. Hurley, Trustees of the Hurley Family Trust Dated March 19, 2001, 76.15 acre tract as deeded and described in Official Record 510, Page 360, Parcel I and being more particularly described as follows:

Beginning at a stone found inside a monument box at the northwest corner of Virginia Military Survey 9948 and the intersection of center-lines of County Highway 38 (60 feet wide) and County Highway 96 (60 feet wide).

THENCE, with the south line of Virginia Military Survey 9969 and the center-line of County Highway 96, N 80°-00'-00"E, a distance of 2825.71 feet to a MAG nail set at THE TRUE POINT OF BEGINNING.

THENCE, with the south line of Virginia Military Survey 9969 and the center-line of County Highway 96, N 80°-00'-00"E, a distance of 819.60 feet to a stone found inside a monument box.

THENCE, with the west lines of the Matthew W. Hurley 10.000 acre tract (O.R. 778, Pg. 641) and the Wayne Wickerham original 148.88 acre tract (O.R. 103, Pg. 961, Tract I), S 9°-52'-36"E, a distance of 2960.96 feet to a point in a 36 inch ash tree, passing 5/8 inch iron rods set at 30.00 feet and 2955.96 feet.

THENCE, with the lines of the G. William Hartzell, Trustee of the G. William Hartzell Declaration of Trust, dated June 5, 1990, 367.04 acre tract (O.R. 682, Pg. 669), the following four courses:

S 85°-11'-19"W, a distance of 652.70 feet to a point in the Miami River, passing 5/8 inch iron rods set at 5.00 feet and 562.70 feet.

N 3°-03'-06"W, a distance of 455.40 feet to a 5/8 inch iron rod set, passing a 5/8 inch iron rod set at 93.00 feet.

N 78°-33'-22"W, a distance of 962.67 feet to a 5/8 inch iron rod set.

S 45°-51'-10"W, a distance of 185.20 feet to a 5/8 inch iron rod set.

INDEXED ON MAP

383

4D-3

Lee Surveying and Mapping Co., Inc.

Land Surveys • Topography • Subdivisions • Construction Layout

117 N. Madriver St.
Bellefontaine OH 43311



Phone: (937) 593-7335
Fax: (937) 593-7444

1975 - 2005 - 30 YEARS OF EXCELLENCE

THENCE, with the east line of the Vance H. Bickham and Elizabeth A. Bickham, Trustees, 103.88 acre tract (O.R. 405, Pg. 300), N 9°-35'-50"W, a distance of 1079.16 feet to a 5/8 inch iron rod set.

THENCE, with the lines of the William C. Hurley and Ann W. Hurley, Trustees of the Hurley Family Trust dated March 19, 2001, 49.171 acre tract (O.R. 510, Pg. 360, Tract II), the following two courses:

N 79°-56'-54"E, a distance of 821.01 feet to a 5/8 inch iron rod set.

N 9°-52'-36"W, a distance of 1122.02 feet to the point of beginning, passing a 5/8 inch iron rod set at 1092.02 feet.

Containing 73.441 acres of which 0.565 acre is within the highway right-of-way.

The basis for bearings is the north line of Virginia Military Survey 9948, being N 80°-00'-00"W, and all other bearings are from angles and distances measured in a field survey by Lee Surveying and Mapping Co., Inc. on March 11, 2005, revised August 23, 2005.



ORIGINAL STAMP IN GREEN

Description prepared by:

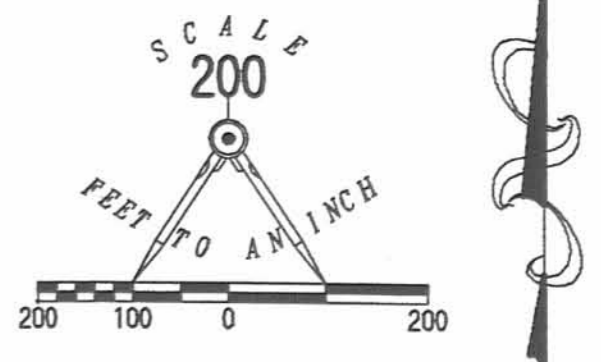
A handwritten signature in black ink, appearing to read 'Jeffrey I. Lee'.
Jeffrey I. Lee
Professional Surveyor 6359
August 24, 2005

L-3922

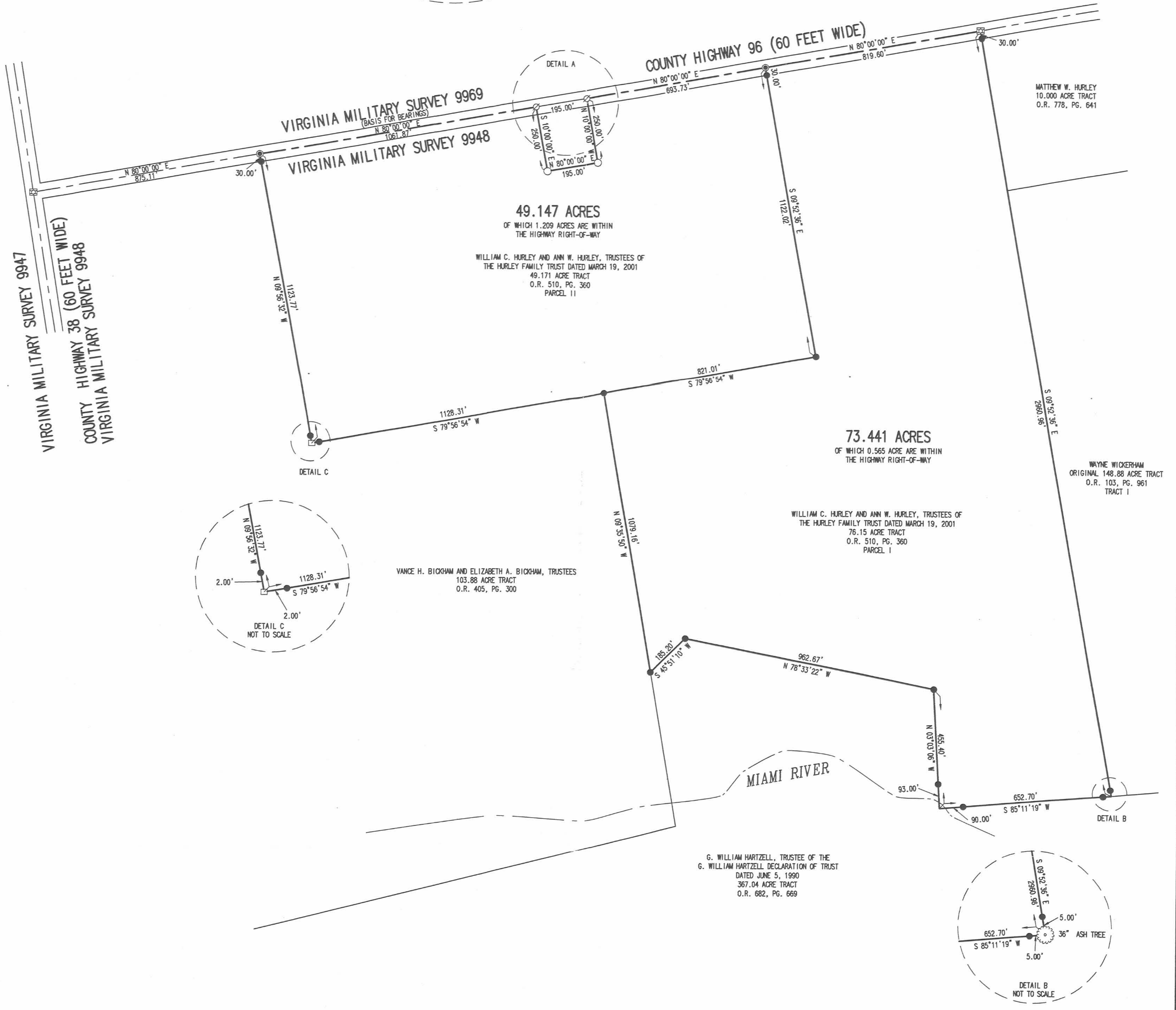
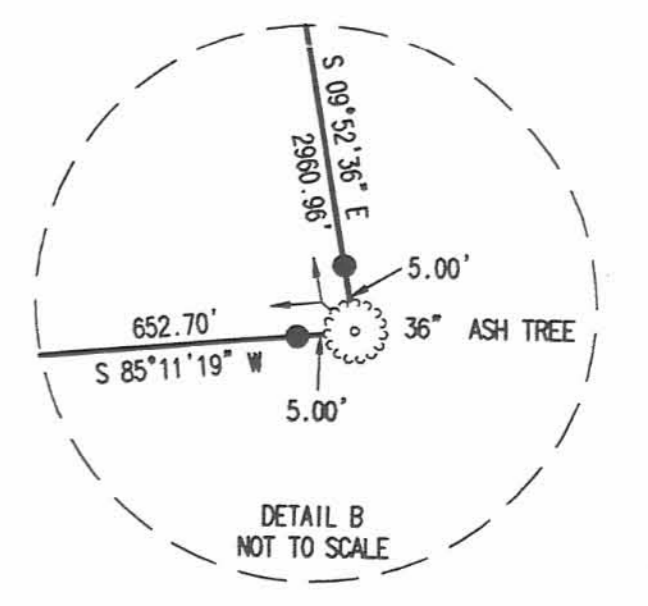
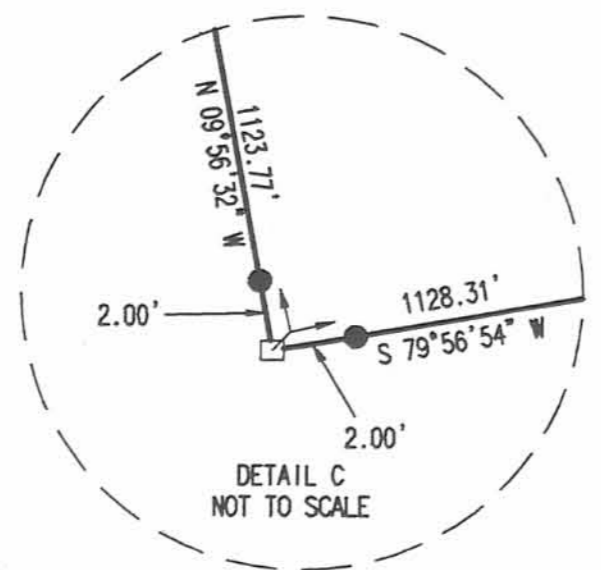
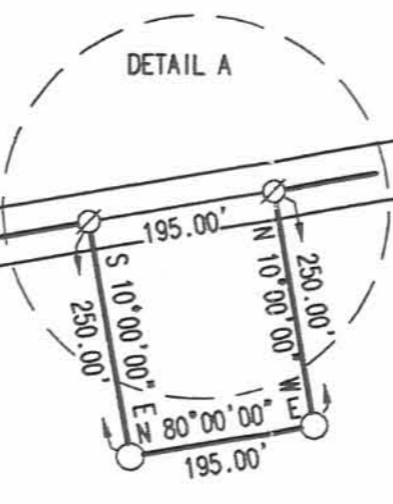
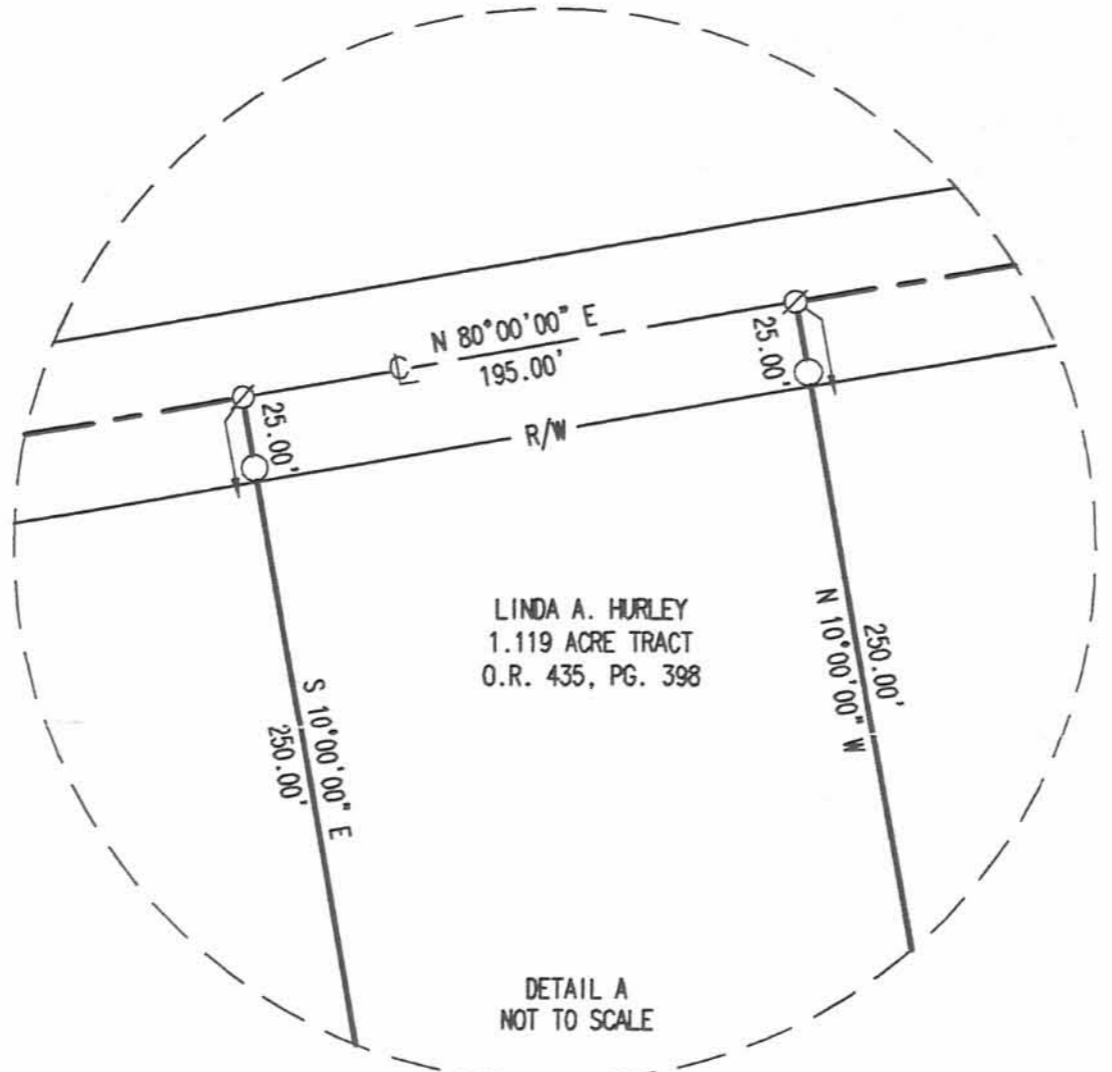
INDEXED ON MAP

383

4D-A



- LEGEND
- 5/8 INCH IRON ROD SET
 - 5/8 INCH IRON ROD FOUND
 - ⊠ STONE FOUND INSIDE A MONUMENT BOX
 - ⊙ MAG NAIL SET
 - ⊗ P.K. NAIL FOUND
 - 12 INCH WOOD CORNER POST FOUND



A SURVEY OF THE
 WILLIAM C. HURLEY AND ANN W. HURLEY,
 TRUSTEES OF THE HURLEY FAMILY TRUST DATED MARCH 19, 2001
 76.15 ACRE TRACT AND 49.171 ACRE TRACT
 OFFICIAL RECORD 510, PAGE 360, PARCEL I AND II
 VIRGINIA MILITARY SURVEY 9948
 RICHLAND TOWNSHIP
 LOGAN COUNTY, OHIO

SURVEYED BY:
 JEFFREY L. LEE
 PROFESSIONAL SURVEYOR 6359
 MARCH 11, 2005
 REVISED AUGUST 23, 2005



COPYRIGHT 2005 BY:
 LEE SURVEYING & MAPPING CO., INC.
 117 North Madriver Street
 BELLEFONTAINE, OHIO 43111
 (614) 593-7335

2 WORKING DAYS
BEFORE YOU DIG
 CALL TOLL FREE 800-362-2764
 OHIO UTILITIES PROTECTION SERVICE.

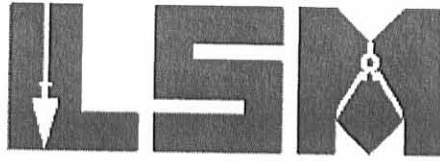
INDEXED ON MAP
 383

RECID 3-26-10 SUMAK

Lee Surveying and Mapping Co., Inc.

Land Surveys • Topography • Subdivisions • Construction Layout

117 N. Madriver St.
Bellefontaine OH 43311



Phone: (937) 593-7335
Fax: (937) 593-7444
surveys@lsminc.us

BICKHAM 102.419 ACRES

Lying in Virginia Military Survey 9948, Richland Township, Logan County, Ohio.

Being all of the Vance H. Bickham and Elizabeth A. Bickham, Trustees, 56.75 acre tract, part of the 42.13 acre tract and all of the 5 acre tract as deeded and described in Official Record 405, Page 300 of the Logan County Records of Deeds and being more particularly described as follows:

Beginning on a stone found in a monument box at the northwest corner of Virginia Military Survey 9948 on the intersection of the center-lines of County Highway 38 and County Highway 96.

THENCE, with the north line of Virginia Military Survey 9948 and the center-line of County Highway 96 (60 feet wide), N 80°-00'-00"E, a distance of 875.11 feet to a MAG nail found.

THENCE, with the lines of the Dustin E. Strauser 49.147 acre tract (O.R. 794, Pg. 305), the following two courses:

S 09°-56'-32"E, a distance of 1123.77 feet to a 12 inch wood post found, passing 5/8 inch iron rods found at 30.00 feet and 1121.77 feet.

N 79°-56'-54"E, a distance of 1128.31 feet to a 5/8 inch iron rod found, passing a 5/8 inch iron rod found at 2.00 feet.

THENCE, with the west line of the Troy W. Kies 73.441 acre tract (O.R. 794, Pg. 246), S 09°-35'-50"E, a distance of 1079.16 feet to a 5/8 inch iron rod found.

THENCE, with the lines of the G. William Hartzell, Trustee, 367.04 acre tract (O.R. 682, Pg. 669), the following six courses:

S 09°-35'-50"E, a distance of 598.00 feet to a stone found.

S 75°-27'-44"W, a distance of 504.20 feet to a 5/8 inch iron rod set.

S 64°-36'-45"W, a distance of 304.30 feet to a 5/8 inch iron rod set.

S 73°-06'-42"W, a distance of 347.50 feet to a 5/8 inch iron rod set.

S 75°-06'-28"W, a distance of 427.79 feet to a 5/8 inch iron rod set.

S 83°-51'-28"W, a distance of 424.93 feet to a 5/8 inch iron rod set on the west line of Virginia Military Survey 9948.

THENCE, with the west line of Virginia Military Survey 9948 and the east lines of the W. William Wischmeyer 73.306 acres (O.R. 912, Pg. 885) and the O'Connor Farms, Inc., 91 acre tract (Vol. 353, Pg. 663, Tract VIII), N 09°-59'-11"W, a distance of 814.57 feet to a 1 inch iron pipe found.

THENCE, with the lines of the David M. Hand 0.75 acre tract (Vol. 370, Pg. 240), the following five courses:

N 80°-12'-16"E, a distance of 108.80 feet to a 1 inch iron pipe found.

N 10°-03'-38"W, a distance of 16.91 feet to a 1 inch iron pipe found.

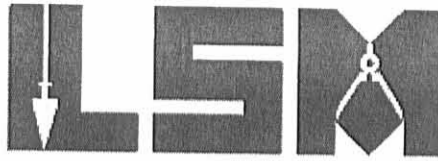
N 80°-03'-35"E, a distance of 90.72 feet to a 1 inch iron pipe found.

INDEXED ON MAP
383 50-1

Lee Surveying and Mapping Co., Inc.

Land Surveys • Topography • Subdivisions • Construction Layout

117 N. Madriver St.
Bellefontaine OH 43311



Phone: (937) 593-7335
Fax: (937) 593-7444
surveys@lsminc.us

N 09°-54'-45"W, a distance of 153.70 feet to a 1 inch iron pipe found.

S 79°-58'-13"W, a distance of 199.69 feet to a railroad spike found on the west line of Virginia Military Survey 9948 and the center-line of County Highway 38, passing a 1 inch iron pipe found at 169.69 feet.

THENCE, with the west line of Virginia Military Survey 9948 and the center-line of County Highway 38 (60 feet wide), N 09°-59'-11"W, a distance of 327.80 feet to a MAG nail set.

THENCE, N 80°-14'-45"E, a distance of 274.64 feet to a 5/8 inch iron rod set, passing a 5/8 inch iron rod set at 30.00 feet.

THENCE, N 09°-59'-11"W, a distance of 270.00 feet to a 5/8 inch iron rod set.

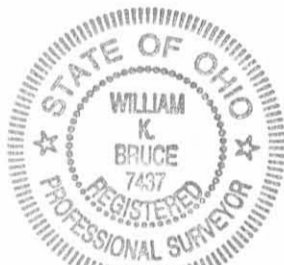
THENCE, S 80°-14'-45"W, a distance of 274.64 feet to a MAG nail set on the west line of Virginia Military Survey 9948 and the center-line of County Highway 38, passing a 5/8 inch iron rod set at 244.64 feet.

THENCE, with the west line of Virginia Military Survey 9948 and the center-line of County Highway 38, N 09°-59'-11"W, a distance of 1387.69 feet to the point of beginning.

Containing 102.419 acres, of which 1.764 acres are within the highway rights-of-way.

Property is subject to any and all previous easements and rights-of-way of record.

The basis for bearings is the north line of Virginia Military Survey 9948, being N 80°-00'-00"E, and all other bearings are from angles and distances measured in a field survey by Lee Surveying and Mapping Co., Inc. on March 19, 2010.



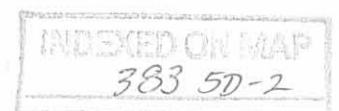
ORIGINAL STAMP IN GREEN

Description prepared by:

A handwritten signature in cursive script that reads 'William K. Bruce'.

William K. Bruce
Professional Surveyor 7437
March 23, 2010

4917310

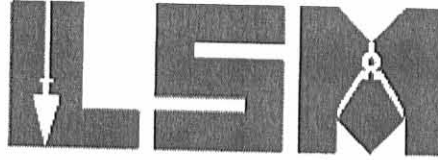


REC'D 3-26-10 SURV OR

Lee Surveying and Mapping Co., Inc.

Land Surveys • Topography • Subdivisions • Construction Layout

117 N. Madriver St.
Bellefontaine OH 43311



Phone: (937) 593-7335
Fax: (937) 593-7444
surveys@lsmcinc.us

BICKHAM 1.702 ACRES

Lying in Virginia Military Survey 9948, Richland Township, Logan County, Ohio.

Being out of the Vance H. Bickham and Elizabeth A. Bickham, Trustees, 42.13 acre tract as deeded and described in Official Record 405, Page 300 of the Logan County Records of Deeds and being more particularly described as follows:

Commencing on a stone found in a monument box at the northwest corner of Virginia Military Survey 9948 on the intersection of the center-lines of County Highway 38 and County Highway 96.

THENCE, with the west line of Virginia Military Survey 9948 and the center-line of County Highway 38 (60 feet wide), S 09°-59'-11"E, a distance of 1387.69 feet to a MAG nail set at the TRUE POINT OF BEGINNING.

THENCE, N 80°-14'-45"E, a distance of 274.64 feet to a 5/8 inch iron rod set, passing a 5/8 inch iron rod set at 30.00 feet.

THENCE, S 09°-59'-11"E, a distance of 270.00 feet to a 5/8 inch iron rod set.

THENCE, S 80°-14'-45"W, a distance of 274.64 feet to a MAG nail set on the west line of Virginia Military Survey 9948 and the center-line of County Highway 38, passing a 5/8 inch iron rod set at 244.64 feet.

THENCE, with the west line of Virginia Military Survey 9948 and the center-line of County Highway 38, N 09°-59'-11"W, a distance of 270.00 feet to the point of beginning.

Containing 1.702 acres, of which 0.186 acre is within the highway right-of-way.

Property is subject to any and all previous easements and rights-of-way of record.

The basis for bearings is the north line of Virginia Military Survey 9948, being N 80°-00'-00"E, and all other bearings are from angles and distances measured in a field survey by Lee Surveying and Mapping Co., Inc. on March 19, 2010.

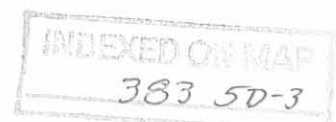


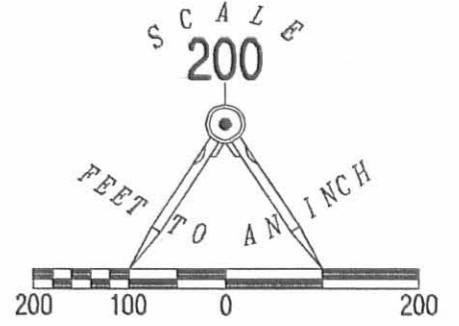
Description prepared by:

A handwritten signature in black ink that reads 'William K. Bruce'.

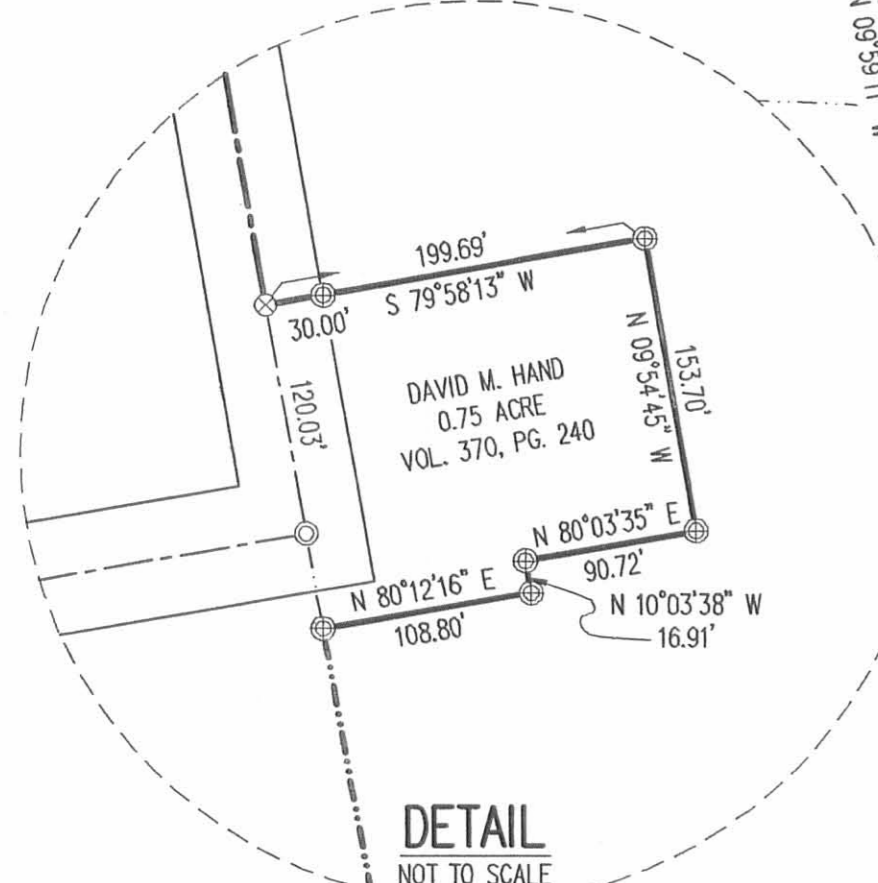
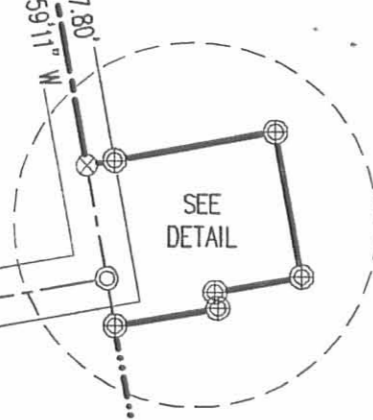
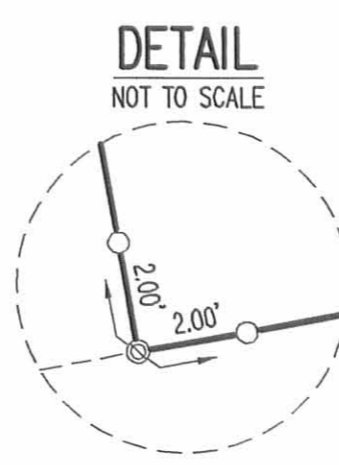
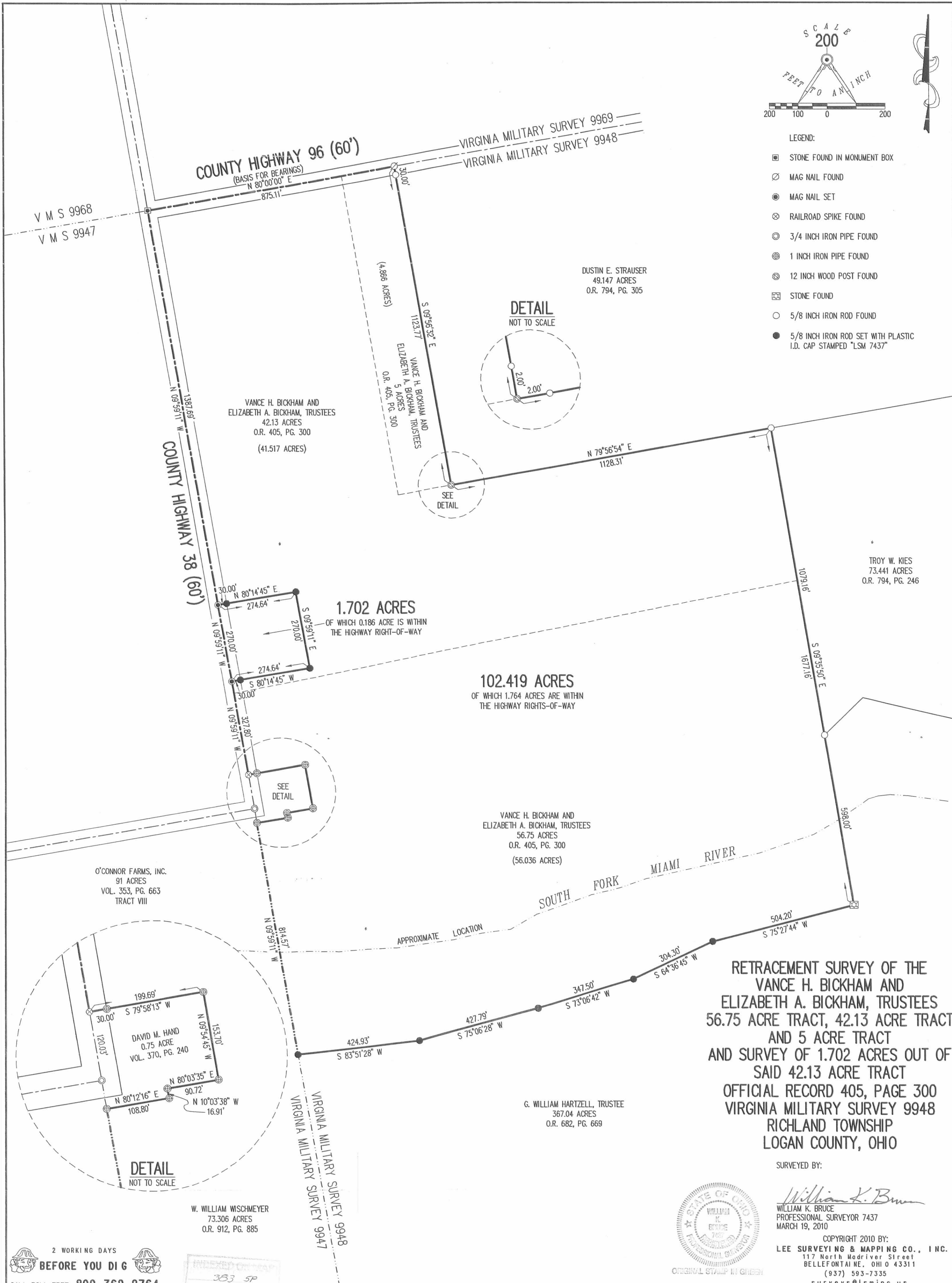
William K. Bruce
Professional Surveyor 7437
March 23, 2010

4917310





- LEGEND:
- ☐ STONE FOUND IN MONUMENT BOX
 - ⊗ MAG NAIL FOUND
 - MAG NAIL SET
 - ⊗ RAILROAD SPIKE FOUND
 - ⊙ 3/4 INCH IRON PIPE FOUND
 - ⊙ 1 INCH IRON PIPE FOUND
 - ⊙ 12 INCH WOOD POST FOUND
 - ⊙ STONE FOUND
 - 5/8 INCH IRON ROD FOUND
 - 5/8 INCH IRON ROD SET WITH PLASTIC I.D. CAP STAMPED "LSM 7437"



RETRACEMENT SURVEY OF THE VANCE H. BICKHAM AND ELIZABETH A. BICKHAM, TRUSTEES 56.75 ACRE TRACT, 42.13 ACRE TRACT AND 5 ACRE TRACT AND SURVEY OF 1.702 ACRES OUT OF SAID 42.13 ACRE TRACT
OFFICIAL RECORD 405, PAGE 300
VIRGINIA MILITARY SURVEY 9948
RICHLAND TOWNSHIP
LOGAN COUNTY, OHIO

SURVEYED BY:
William K. Bruce
WILLIAM K. BRUCE
PROFESSIONAL SURVEYOR 7437
MARCH 19, 2010



COPYRIGHT 2010 BY:
LEE SURVEYING & MAPPING CO., INC.
117 North Modriver Street
BELLEFONTAINE, OHIO 43311
(937) 593-7335
surveys@lsmcinc.us
KSS D0310 4917310 L-4917-2

