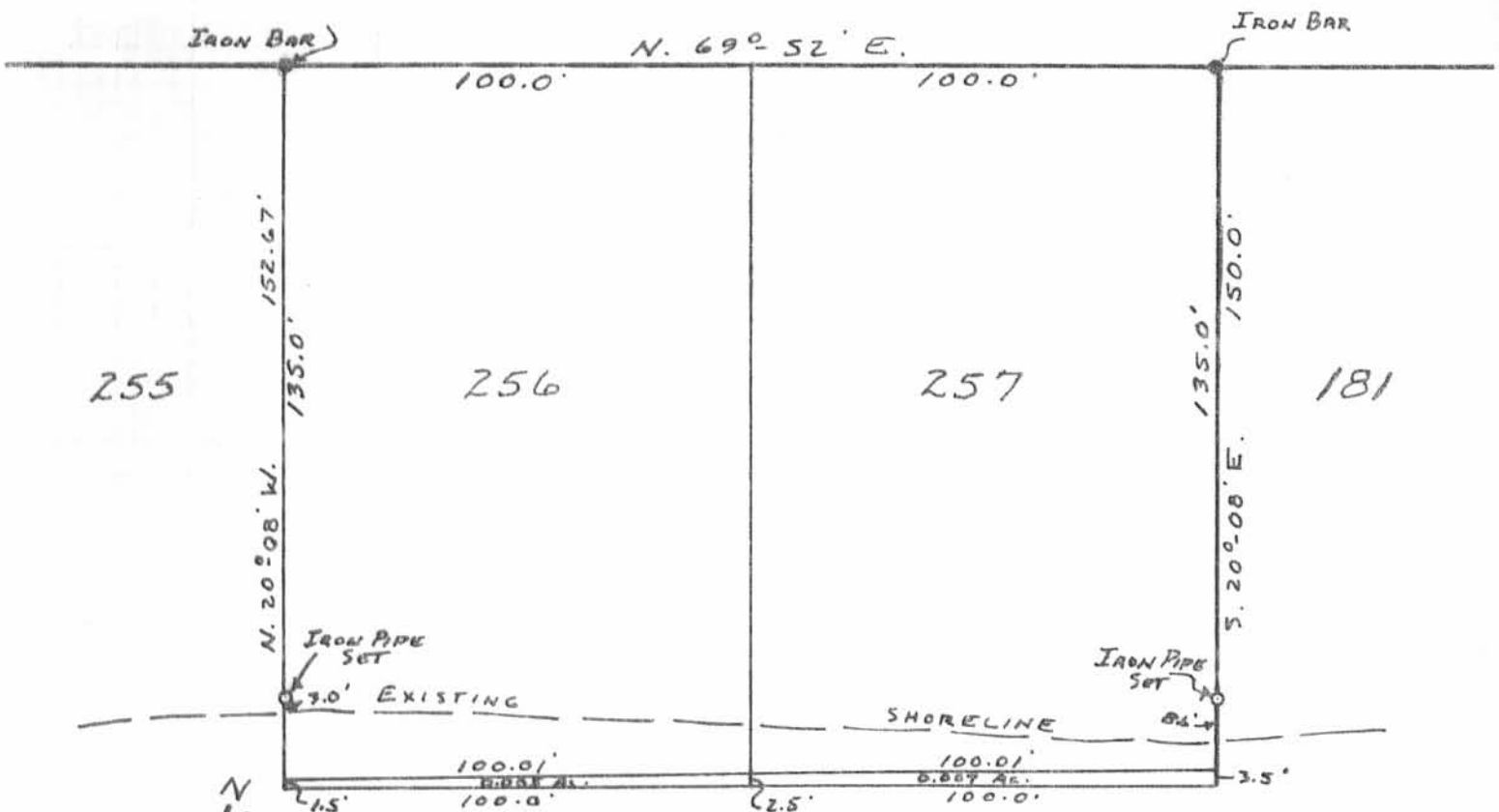


BARNES DRIVE - 50'



INDIAN LAKE

6598 IP

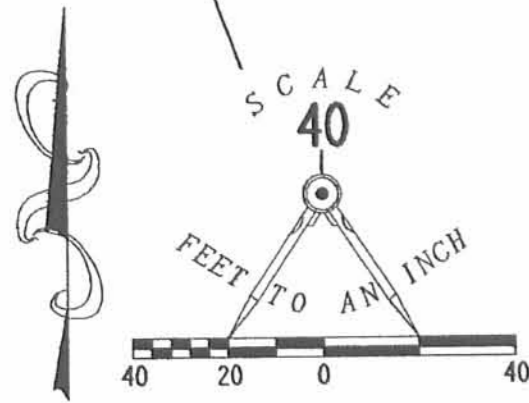
INDEXED ON MAP

SURVEY OF LOTS 256-257  
 INDIAN LAKE SHORES NO 3  
 V.M.S. No. 13393  
 RICHLAND TOWNSHIP  
 LOGAN COUNTY, OHIO  
 APRIL 19, 1980

SCALE: 1" = 40'

SURVEYED AND PLATTED BY:  
 DANIEL E. GILBERT, P.S.  
 REG. SUR. NO. 5402  
 1041 N. MAIN ST.  
 BELLEFONTAINE, OHIO 43311

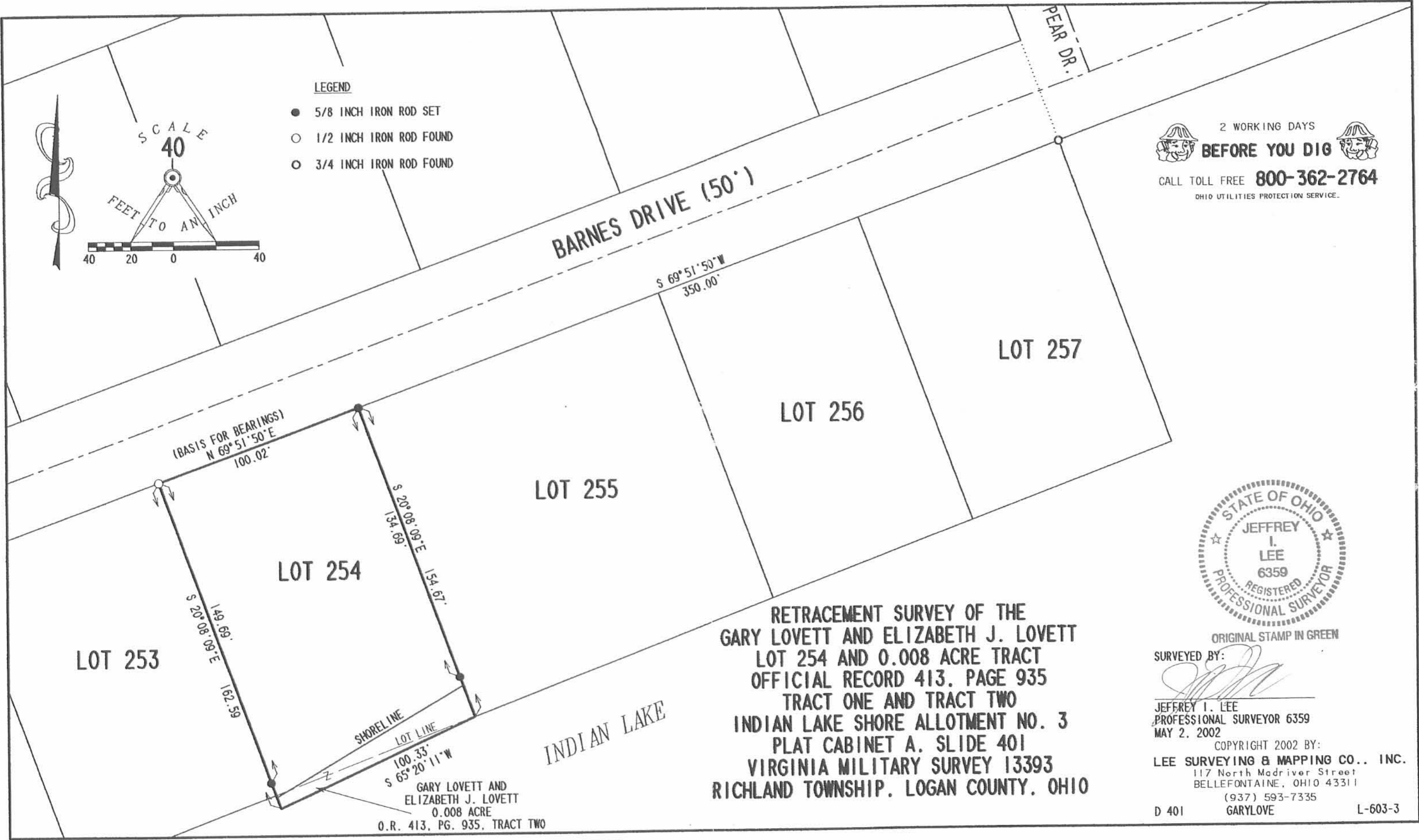
REID 59-02 SMY 04



LEGEND

- 5/8 INCH IRON ROD SET
- 1/2 INCH IRON ROD FOUND
- 3/4 INCH IRON ROD FOUND

2 WORKING DAYS  
**BEFORE YOU DIG**  
 CALL TOLL FREE **800-362-2764**  
 OHIO UTILITIES PROTECTION SERVICE.



ORIGINAL STAMP IN GREEN

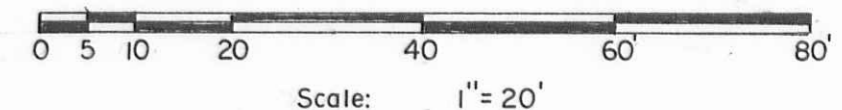
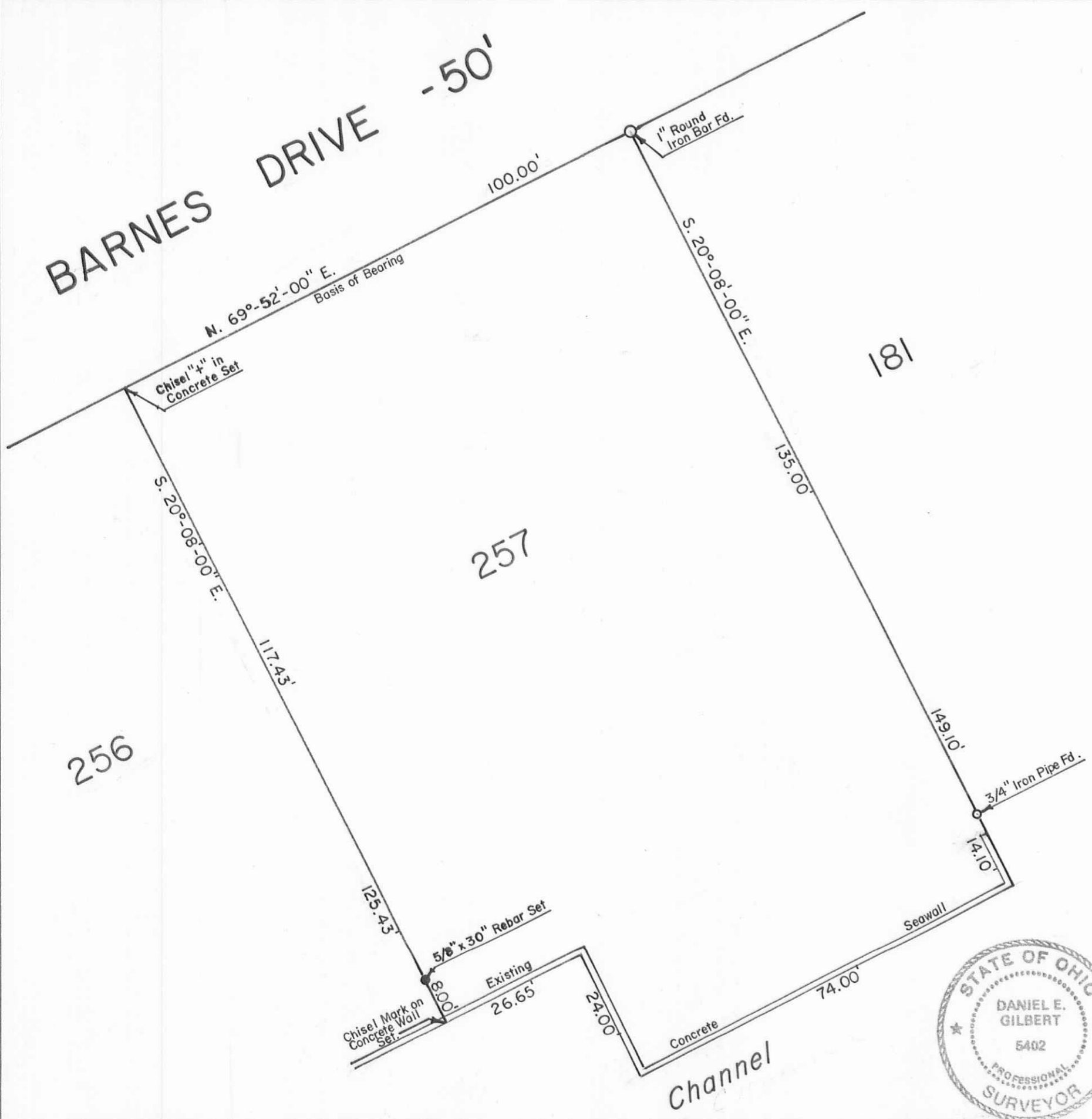
SURVEYED BY:  
*[Signature]*  
 JEFFREY I. LEE  
 PROFESSIONAL SURVEYOR 6359  
 MAY 2, 2002

COPYRIGHT 2002 BY:  
**LEE SURVEYING & MAPPING CO., INC.**  
 117 North Madriver Street  
 BELLEFONTAINE, OHIO 43311  
 (937) 593-7335

D 401      GARYLOVE      L-603-3

INDEXED ON MAP  
 6598      2P

BARNES DRIVE -50'



Reference:  
 Indian Lake Shores Allotment No. 3  
 Plat Cab. A Side 401 (7-23-1962).



Robert Miller Survey - Lot No. 257 Indian Lake Shores Allotment No. 3 Richland Township, Logan County, Ohio.		
SCALE: 1" = 20'	APPROVED BY:	DRAWN BY DEG
DATE: 9-8-1999		REVISED
<i>Daniel E. Gilbert, P.S.</i> Daniel E. Gilbert, P.S. Reg. Sur. No. 5402		DRAWING NUMBER 099-035

S-487