

RECID 12-20-07 8M/OK

Lee Surveying and Mapping Co., Inc.

Land Surveys • Topography • Subdivisions • Construction Layout

117 N. Madriver St.
Bellefontaine OH 43311



Phone: (937) 593-7335
Fax: (937) 593-7444

WILLIAMS 8.092 ACRES

Lying in Virginia Military Survey 13334, 13341, Richland Township, Logan County, Ohio.

Being out of the Martha L. Williams 100 acre tract as deeded and described in Official Record 881, Page 416 of the Logan County Records of deeds and being more particularly described as follows:

Commencing at a MAG nail set on the Center-line of Ohio Route 117 (60 feet wide) at Station 204 + 00.00, per the right-of-way plans recorded in L-21 in the Logan County Engineers office.

THENCE, with the center-line of Ohio Route 117, N 16°-19'-00"W, a distance of 2171.80 feet to a MAG nail set at THE TRUE POINT OF BEGINNING.

THENCE, with the north line of the Edith D. Fisher 80 acre tract (O.R. 779, Pg. 577), N 78°-09'-40"W, a distance of 650.56 feet to a 5/8 inch iron rod set, passing a 5/8 inch iron rod set at 34.03 feet.

THENCE, with the east line of the Douglas Lee Maier and Cecilia Jane Maier original 13.18 acre tract (Vol. 406, Pg. 956, Tract 3) and the east line of Virginia Military Survey 13403, N 12°-34'-12"E, a distance of 827.70 feet to a 8 inch wood post found.

THENCE, with the south line of the Douglas Lee Maier and Cecilia Jane Maier original 108 acre tract (Vol. 406, Pg. 956, Tract 2), S 89°-10'-48"E, a distance of 164.09 feet to a MAG nail set, passing a 5/8 inch iron rod set 131.38 feet.

THENCE, with the center-line of Ohio Route 117 with a curve to the right, having a central angle of 6°-13'-49", a radius of 2864.65 feet, an arc length of 311.49 feet, a chord bearing S 19°-26'-04"E, a distance of 311.34 feet to a MAG nail set at the P.C. Station 232 + 45.70.

THENCE, with the center-line of Ohio Route 117, S 16°-19'-00"E, a distance of 672.47 feet to the point of beginning.

Containing 8.092 acres of which 0.674 acre is within the highway right-of-way.

The basis for bearings is the center-line of Ohio Route 117, being N 16°-19'-00"W, and all other bearings are from angles and distances measured in a field survey by Lee Surveying and Mapping Co., Inc. on November 26, 2007.



ORIGINAL STAMP IN GREEN

Description prepared by:

William K. Bruce

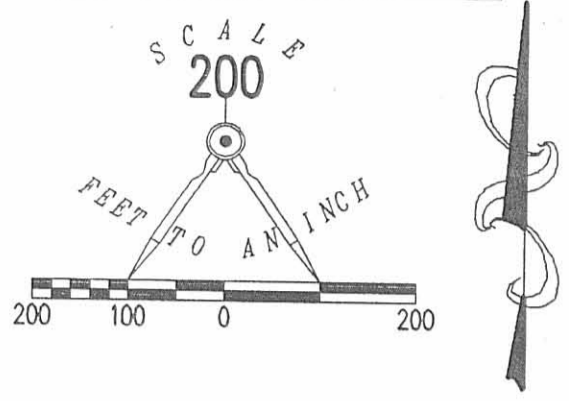
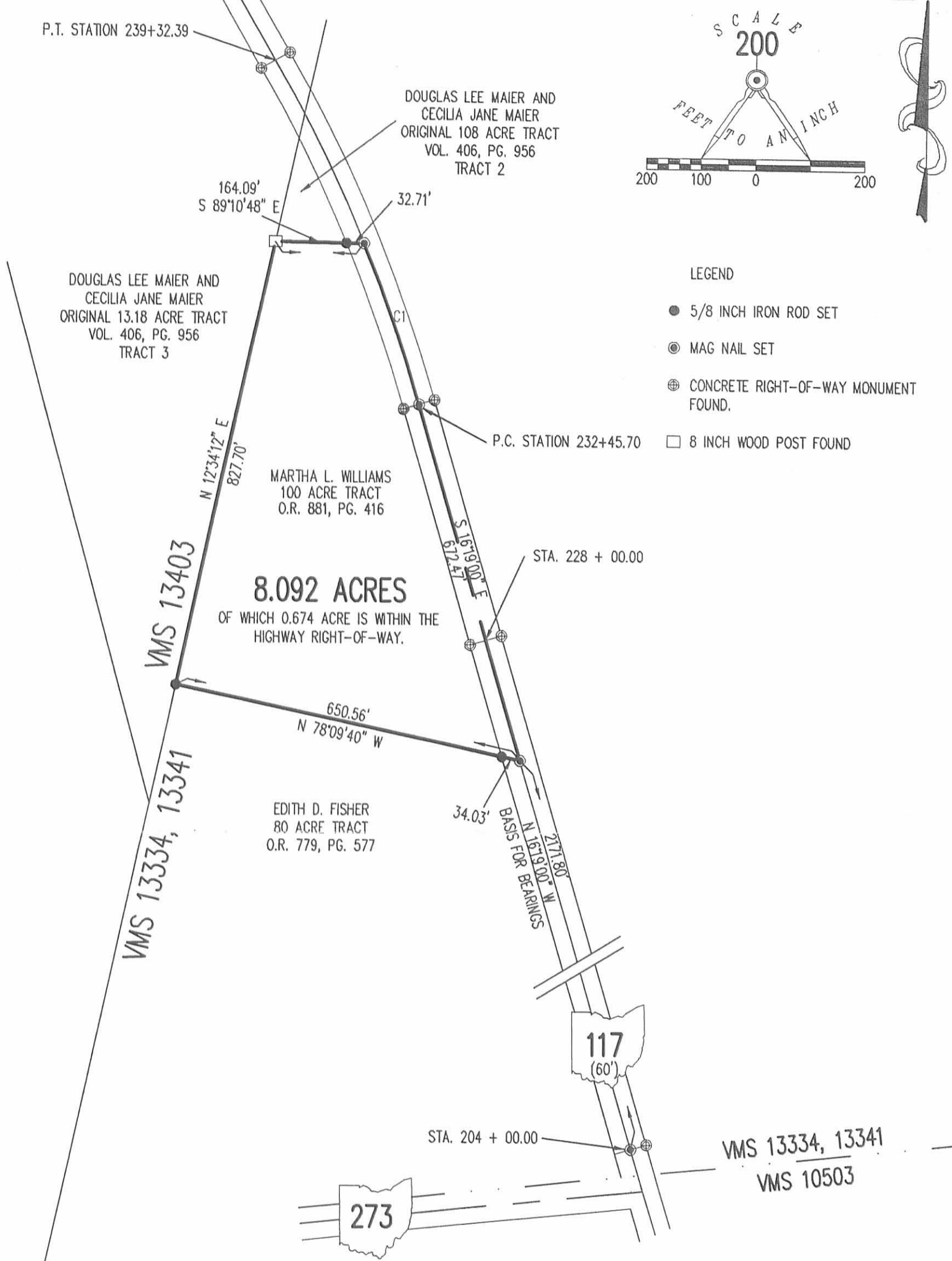
William K. Bruce
Professional Surveyor 7437
November 27, 2007
Revised December 20, 2007

L-4554117rev



REID 11-29-07 SMJ/alc

CURVE	DELTA ANGLE	RADIUS	ARC LENGTH	TANGENT	CHORD LENGTH	CHORD BEARING
C1	06°13'49"	2864.65'	311.49'	155.90'	311.34'	S 19°26'04" E



- LEGEND
- 5/8 INCH IRON ROD SET
 - ⊙ MAG NAIL SET
 - ⊕ CONCRETE RIGHT-OF-WAY MONUMENT FOUND.
 - 8 INCH WOOD POST FOUND

**A SURVEY OF A 8.092 ACRE TRACT OUT OF THE
 MARTHA L. WILLIAMS
 100 ACRE TRACT
 OFFICIAL RECORD 881, PAGE 416
 VIRGINIA MILITARY SURVEY 13334, 13341
 RICHLAND TOWNSHIP
 LOGAN COUNTY, OHIO**

REFERENCES:
 RIGHT-OF-WAY PLANS L- 21 OF OHIO ROUTE
 117 FROM THE LOGAN COUNTY ENGINEERS
 OFFICE.

SURVEYED BY:

 WILLIAM K. BRUCE
 PROFESSIONAL SURVEYOR 7437
 NOVEMBER 20, 2007



COPYRIGHT 2007 BY:
LEE SURVEYING & MAPPING CO., INC.
 117 North Madriver Street
 BELLEFONTAINE, OHIO 43311
 (937) 593-7335

2 WORKING DAYS
BEFORE YOU DIG
 CALL TOLL FREE **800-362-2764**
 OHIO UTILITIES PROTECTION SERVICE.

INDEXED ON MAP
 9572 IP