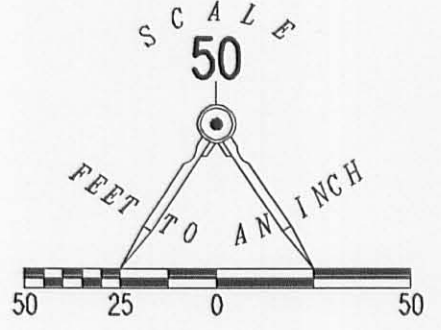


REC'D 5-22-08 Sny BK



- LEGEND:
- 3/4 INCH SQUARE IRON BAR FOUND
 - 5/8 INCH IRON ROD SET



PONY ISLAND, INC.
20.03 ACRES
VOL. 279, PG. 312

RETRACEMENT SURVEY OF
LOTS 55, 56 AND 69
BEAR WALLOW SUBDIVISION NO. 1
PLAT CABINET A, SLIDE 397
VIRGINIA MILITARY SURVEY 13393
RICHLAND TOWNSHIP
LOGAN COUNTY, OHIO

SURVEYED BY:

William K. Bruce
WILLIAM K. BRUCE
PROFESSIONAL SURVEYOR 7437
MAY 19, 2008

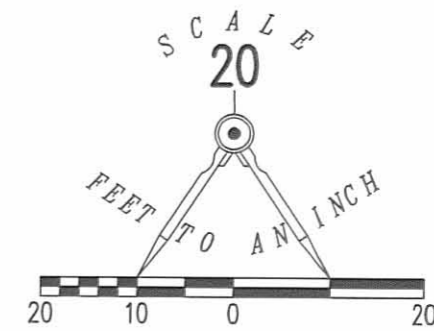
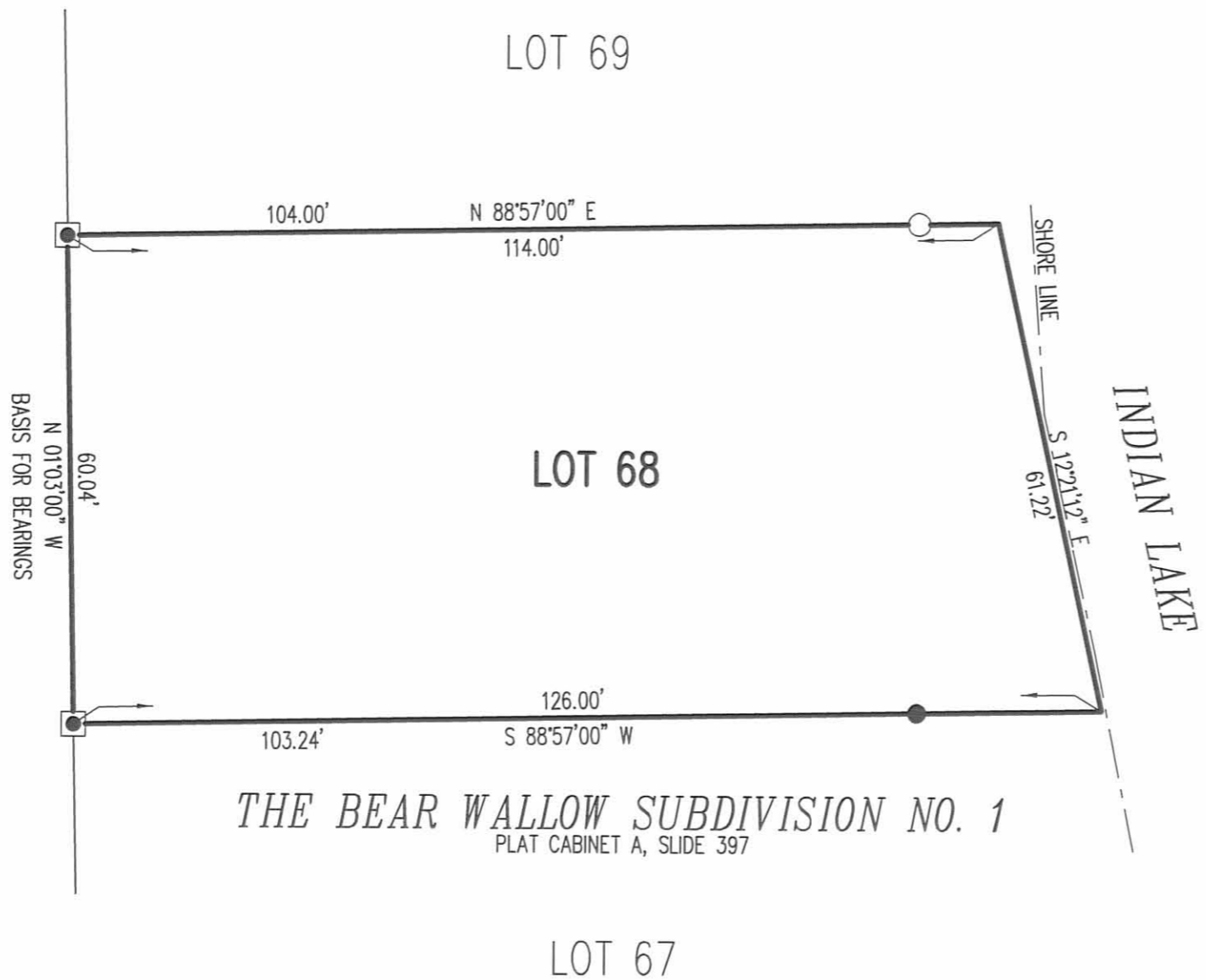


COPYRIGHT 2008 BY:
LEE SURVEYING & MAPPING CO., INC.
117 North Medriver Street
BELLEFONTAINE, OHIO 43311
(937) 593-7335
KSS D0508 4623048 L-4623-3

2 WORKING DAYS
BEFORE YOU DIG
CALL TOLL FREE 800-362-2764
OHIO UTILITIES PROTECTION SERVICE

INDEXED ON MAP
9576-1P

REC'D 3-30-12 SMY OK



- LEGEND
- 5/8 INCH IRON ROD SET WITH PLASTIC I.D. CAP STAMPED "LSM7437"
 - 5/8 INCH IRON ROD FOUND
 - 3/4 INCH SQUARE BAR FOUND

RETRACEMENT SURVEY OF
 LOT 68
 THE BEAR WALLOW SUBDIVISION NO. 1
 PLAT CABINET A, SLIDE 397
 VIRGINIA MILITARY SURVEY 13393
 RICHLAND TOWNSHIP
 LOGAN COUNTY, OHIO

SURVEYED BY:
William K. Bruce

WILLIAM K. BRUCE
 PROFESSIONAL SURVEYOR 7437
 MARCH 27, 2012



COPYRIGHT 2012 BY:
LEE SURVEYING & MAPPING CO., INC.
 117 North Madriver Street
 BELLEFONTAINE, OHIO 43311
 (937) 593-7335
 WWW.LSMINC.US
 surveys@lsminc.us

ADW D0112 52530112A L-5253-3

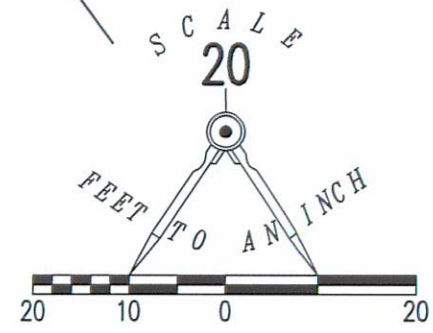
2 WORKING DAYS
BEFORE YOU DIG
 CALL TOLL FREE **800-362-2764**
 OHIO UTILITIES PROTECTION SERVICE

INDEXED ON MAP
 9576 2P

Rec'd 4/18/14

APPROVED

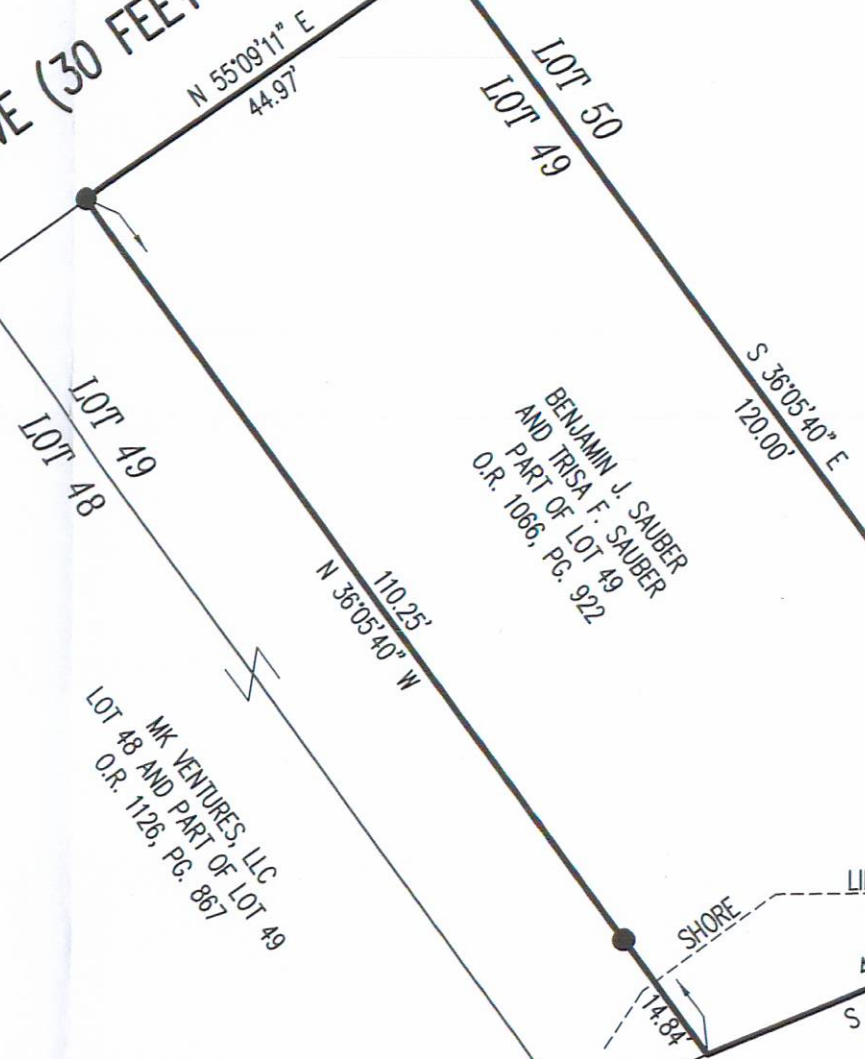
RETRACEMENT SURVEY OF THE
 BENJAMIN L. SAUBER AND TRISA F. SAUBER
 PART OF LOT 49
 OFFICIAL RECORD 1066, PAGE 922
 BEAR WALLOW SUBDIVISION NO. 1
 PLAT CABINET A, SLIDE 397
 PONEY ISLAND
 VIRGINIA MILITARY SURVEY 13393
 RICHLAND TOWNSHIP
 LOGAN COUNTY, OHIO



- LEGEND
- 5/8 INCH IRON ROD SET WITH PLASTIC I.D. CAP STAMPED "7437"
 - 3/4 INCH IRON PIPE FOUND

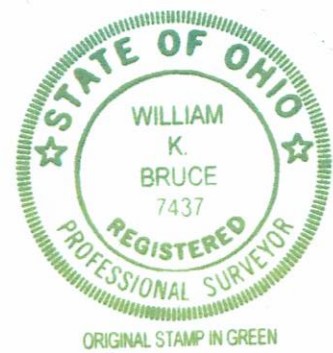
PRIVATE DRIVE (30 FEET WIDE)

BEAR WALLOW SUBDIVISION NO. 1
 LOT 47
 LOT 48
 LOT 49
 LOT 50
 SPORT POINT
 PLAT CABINET A, SLIDE 196
 BASIS FOR BEARINGS
 S 36°05'40" E
 59.93'



INDIAN LAKE

SURVEYED BY:
William K. Bruce
 WILLIAM K. BRUCE
 PROFESSIONAL SURVEYOR 7437
 APRIL 16, 2014



COPYRIGHT 2014 BY:
LEE SURVEYING & MAPPING CO., INC.
 117 North Madriver Street
 BELLEFONTAINE, OHIO 43311
 (937) 593-7335
 WWW.LSMINC.US
 surveys@lsminc.us

ADW D0314 57020314 L-5702-3

2 WORKING DAYS
BEFORE YOU DIG
 CALL TOLL FREE **800-362-2764**
 OHIO UTILITIES PROTECTION SERVICE

INDEXED ON MAP
 9576 3P

✓ APPROVED

LEGEND:

- ☐ 3/4 INCH IRON BAR FOUND
- C/L = CENTER-LINE
- R/W = RIGHT-OF-WAY
- O.R. = OFFICIAL RECORD
- PG. = PAGE

DEED & SURVEY REFERENCES:

DEED REFERENCES ARE SHOWN HEREON.

RECORDED SUBDIVISION REFERENCES SHOWN HEREON.

LOGAN COUNTY ENGINEER'S MAP ROOM FILES: 3920 & 9576

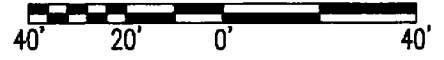
OCCUPATION NOTE:

NO EVIDENCE OF OCCUPATION ALONG BOUNDARY LINES UNLESS OTHERWISE SHOWN

BOUNDARY SURVEY

LOTS 61 & 62
 BEAR WALLOW SUBDIVISION NO. 1
 PLAT CABINET A, SLIDE 397
 VIRGINIA MILITARY SURVEY 13393
 RICHLAND TOWNSHIP
 LOGAN COUNTY, OHIO

64



SCALE: 1" = 40'
DISTANCES SHOWN HEREON ARE IN U.S. SURVEY FEET

30' PRIVATE DRIVE

INDIAN LAKE

63 MATTHEW KERNS, TRUSTEE
 O.R. 1351, PG. 73
 TRACT III

62 0.154 ACRE
 DANNY BIRTCH AND
 HEATHER BIRTCH, TRUSTEES OF
 THE BIRTCH FAMILY TRUST
 O.R. 1387, PG. 755

61 0.163 ACRE
 DANNY BIRTCH AND
 HEATHER BIRTCH, TRUSTEES OF
 THE BIRTCH FAMILY TRUST
 O.R. 1387, PG. 755

60 MATTHEW KERNS, TRUSTEE
 O.R. 1351, PG. 73
 TRACT III

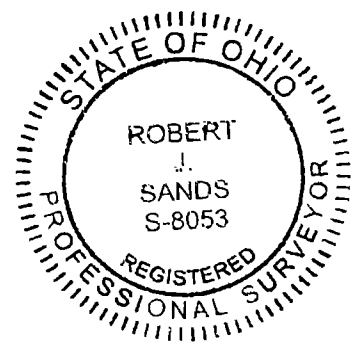
59

58

57

56

BEAR WALLOW SUBDIVISION NO. 1
 PLAT BOOK A, SLIDE 397



CERTIFICATION:

THIS PLAT WAS PREPARED BY DLZ OHIO, INC. AND IS A TRUE AND ACCURATE REPRESENTATION, TO THE BEST OF MY KNOWLEDGE AND BELIEF, OF A SURVEY MADE BY THE SAME IN APRIL, 2023.

THIS SURVEY WAS PERFORMED WITHOUT THE BENEFIT OF A TITLE POLICY; ALL OWNERSHIP SHOWN IS BASED UPON RECORD DATA ACQUIRED AT THE TIME OF SURVEY, NO GUARANTEE IS PLACED UPON ACTUAL OWNERSHIP OF ANY PROPERTY.

EASEMENTS MAY EXIST ON SUBJECT PROPERTY THAT WOULD BE REVEALED IN A TITLE EXAMINATION.

Robert J. Sands 04/20/23
 ROBERT J. SANDS DATE
 PROFESSIONAL SURVEYOR NO. 8053

BASIS FOR BEARINGS:

BEARINGS AND DISTANCES, SHOWN HEREON, ARE DERIVED FROM GPS OBSERVATIONS BASED ON GRID NORTH, OHIO STATE PLANE COORDINATE SYSTEM, NORTH ZONE, NAD83 (2011), WITH THE EASTERLY RIGHT-OF-WAY LINE OF A PRIVATE 30 FEET DRIVE, ADJOINING THE WESTERLY LINE OF BEAR WALLOW SUBDIVISION NO. 1, HAVING A BEARING OF N 03°48'28" E.

COPYRIGHT 2023 BY:



P.O. Box 237 • Bellefontaine, OH 43311
 (937) 593-7335 • www.dlz.com
 Project #2321-2103.00
 (Formerly Lee Surveying & Mapping Co., Inc.)

INDEXED ON MAP

9576

DRAWN BY:	DESCRIPTION	REV. NO.	DATE
KSS			4/19/2023