

Lee Surveying and Mapping Co.



Farm Surveys • Lot Surveys • Topography • Subdivisions • Construction Layout

855 EAST SANDUSKY AVENUE
BELLEFONTAINE, OHIO 43311

(513) 593-5780

CLAYTON M. LEE, P.S.
JEFFREY I. LEE, P.S.

L. DALE ELLEMAN SURVEY

Lying in V.M.S. 9974, Rushcreek Township, Logan County, Ohio.

Being out of the northeast corner of that 30.79 acre tract deeded and described in Volume 375, Page 124 of the Logan County Records of Deeds and more particularly described as follows:

Beginning at a bolt set on the center-line of State Route No. 273, marking the northeast corner of grantor's said 30.79 acre tract. This point lying westerly along said center-line a distance of 65.07 feet from the center-line of U.S. Route 68 and lying on the east line of said V.M.S. 9974.

THENCE, with the east line of V.M.S. 9974, the same being the east line of said 30.79 acres, S 6°-15' E, a distance of 153.96 feet to a 'PK' nail set on the center-line of U.S. Route 68.

THENCE, with a curve to the left having a radius of 8594.37 feet, the chord bearing of which is S 20°-07'-30" W, a distance of 663.04 feet to a 'PK' nail set at the end of said curve at highway Station 392+18.7.

THENCE, continuing with the center-line of said U.S. Route 68, S 22°-20'-10" W, a distance of 55.00 feet to a 'PK' nail set on said center-line near the north end of bridge across South Fork (Laughlin Ditch). This point being the southeast corner of said 30.79 acres.

THENCE, with the center-line of said ditch, the same being the south line of said 30.79 acres, N 80°-59'-20" W, a distance of 389.73 feet.

THENCE, N 4°-22'-40" E, a distance of 535.38 feet to an iron rod set near the south end of a sheet metal fence, passing an iron rod set for reference on the ditch bank at 25.0 feet.

THENCE, along the west side of said metal fence, N 6°-15'-20" E, a distance of 224.60 feet to a bolt set on the center-line of State Route 273, passing an iron rod set on the right-of-way line at 188.55 feet.

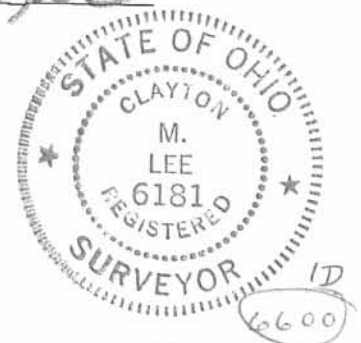
THENCE, with said center-line, N 89°-08' E, a distance of 551.92 feet to the point of beginning. Containing 9.297 acres.

Last previous deed reference: Volume 375, Page 124.

Prepared by:

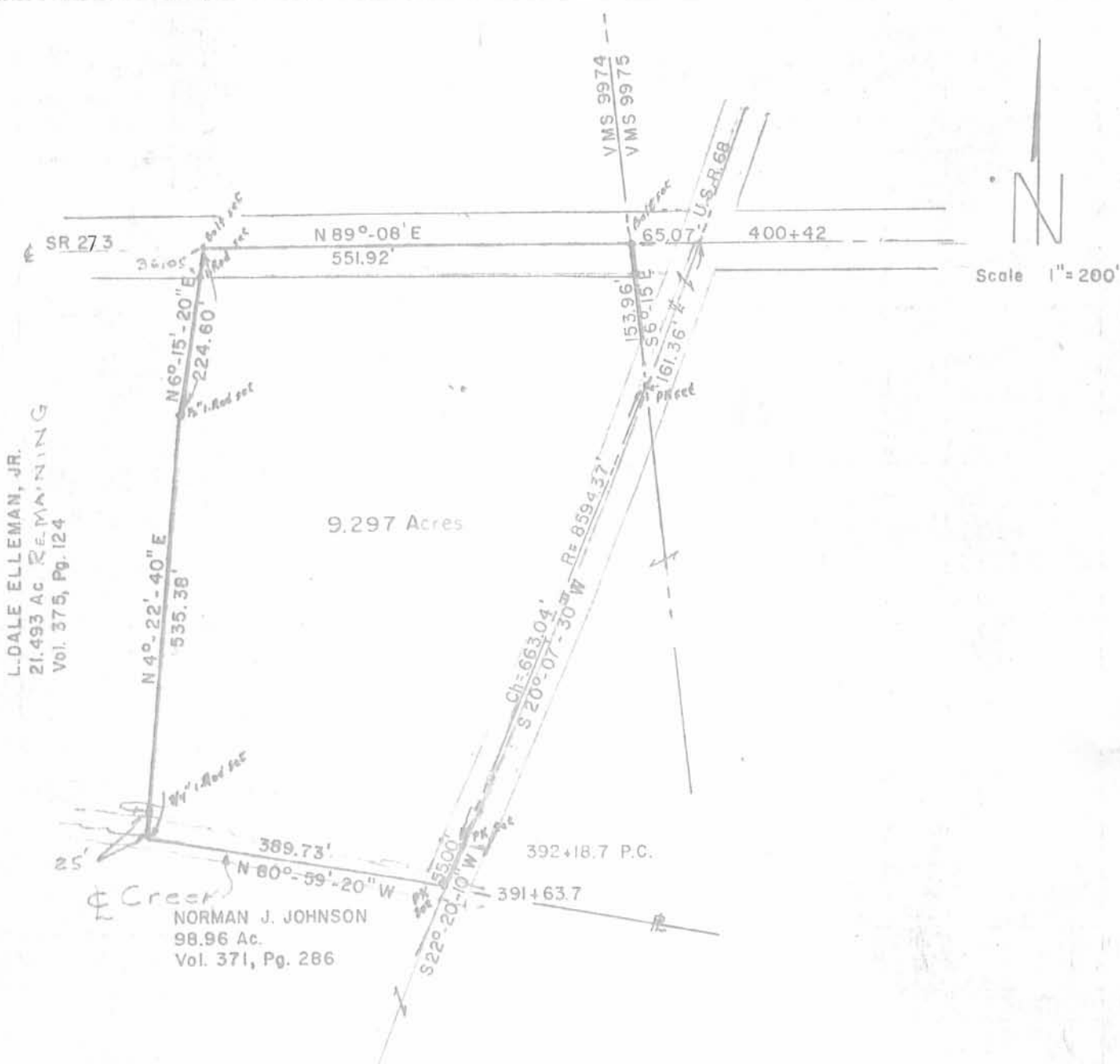
Clayton M. Lee

Clayton M. Lee
Reg. Surveyor No. 6181
2-17-81



INDEXED ON MAP

L-799



Scale 1" = 200'

L. DALE ELLEMAN, JR.
 21.493 Ac. REMAINING
 Vol. 375, Pg. 124

9.297 Acres

25' 389.73' 392+18.7 P.C. 391+63.7
 N 80°-59'-20" W
 NORMAN J. JOHNSON
 98.96 Ac.
 Vol. 371, Pg. 286

SURVEY OF 9.297 ACRES OUT OF THE
 L. DALE ELLEMAN, JR. 30.79 ACRE TRACT
 Vol. 375, Pg. 124
 V.M.S. 9974
 Rushcreek Twp., Logan Co., Ohio

By: Jeffrey I. Lee
 Jeffrey I. Lee
 Reg. Surveyor 6359
 Feb. 9, 1981

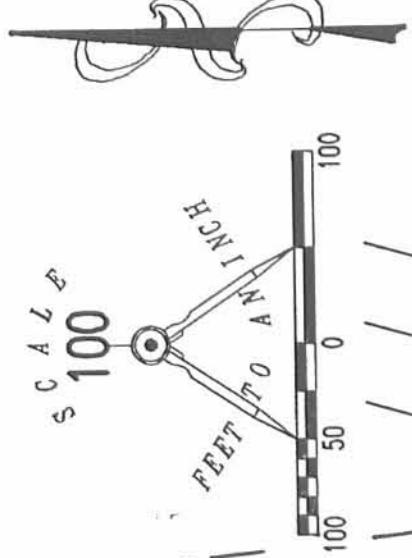


IP
 6600

INDEXED ON MAP
LEE SURVEYING & MAPPING CO.
 855 E. Sandusky Ave.
 BELLEFONTAINE, OHIO 43311
 (513) 593-5780

LEGEND:

- ⊕ 3/4 INCH IRON ROD FOUND
- 5/8 INCH IRON ROD FOUND
- 5/8 INCH IRON ROD SET
- ⊙ MAG NAIL SET
- ⊙ 1/2 INCH IRON ROD FOUND



273 (60')

(BASIS FOR BEARINGS)
N 89°08'00" E

36.05'

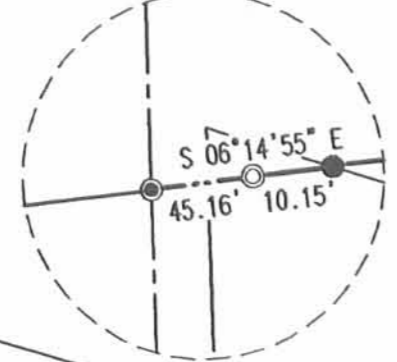
N 06°15'20" E

224.60'

SEE
DETAIL

S 06°14'55" E

153.95'



DETAIL
NOT TO SCALE

(.08)

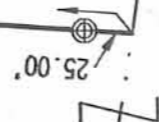
68

VIRGINIA MILITARY SURVEY 9975
VIRGINIA MILITARY SURVEY 9974

NORMAN J. JOHNSON AND
MARY A. JOHNSON
9.297 ACRES
O.R. 58, PG. 811

CREEK

KEVIN L. HANEY
21.493 ACRES
O.R. 89, PG. 823



PARTIAL RETRACEMENT SURVEY OF THE
NORMAN J. JOHNSON AND
MARY A. JOHNSON
9.297 ACRE TRACT
OFFICIAL RECORD 58, PAGE 811
VIRGINIA MILITARY SURVEY 9974
RUSHCREEK TOWNSHIP
LOGAN COUNTY, OHIO

SURVEYED BY:

(Signature)
JEFFREY I. LEE
PROFESSIONAL SURVEYOR 6359
OCTOBER 29, 2004



2 WORKING DAYS



BEFORE YOU DIG

CALL TOLL FREE 800-362-2764

OHIO UTILITIES PROTECTION SERVICE.

ORIGINAL STAMP IN GREEN

INDEXED ON MAP

10600 ZP

COPYRIGHT 2004 BY:

LEE SURVEYING & MAPPING CO., INC.
117 North Madriver Street
BELLEFONTAINE, OHIO 43311
(937) 593-7335

KSR D413 799104

L-799-3