

REC'D 10-20-03 SWY OK

Lee Surveying and Mapping Co., Inc.

Land Surveys • Topography • Subdivisions • Construction Layout



117 N. Madriver St.
Bellefontaine OH 43311

Phone: (937) 593-7335
Fax: (937) 593-7444

KIM 141.424 ACRES

Lying in Virginia Military Survey 9933 and 9932 Rushcreek Township, Logan County, Ohio.

Being all of the Bong Oh Kim and Soon Bin Kim, Trustees, 2.94 acre tract, 15.963 acre tract, 50 acre tract, 30 acre tract, and 40.89 acre tract as deeded and described in Official Record 477, Page 957, Tracts I, II, III, IV, and V of the Logan County Records of Deeds and being more particularly described as follows:

Beginning at a MAG nail found at the intersection of the center-lines of U.S. Route 68 and County Highway 111.

THENCE, with the center-line of U.S. Route 68 (width varies), the following three (3) courses:

- 1.) S 17°-56'-31"W, a distance of 156.29 feet to a MAG nail set.
- 2.) with a curve to the right, a central angle of 12°-57'-03", a radius of 2868.43 feet, an arc of 648.37 feet, a chord bearing of S 24°-25'-02"W, a chord distance of 646.99 feet to a MAG nail set.
- 3.) S 30°-53'-34"W, a distance of 1210.31 feet to a MAG nail set.

THENCE, with the south line of the Carl Burkholder 8.27 acre tract (O.R. 70, Pg. 253), the following five (5) courses:

- 1.) N 84°-10'-28"E, a distance of 659.01 feet to a 5/8 inch iron rod set, passing a 5/8 inch iron rod set at 53.66 feet.
- 2.) S 05°-49'-32"E, a distance of 33.00 feet to a 5/8 inch iron rod set.
- 3.) N 84°-10'-28"E, a distance of 49.50 feet to a 5/8 inch iron rod set.
- 4.) N 05°-49'-32"W, a distance of 33.00 feet to a 5/8 inch iron rod set.
- 5.) N 84°-10'-28"E, a distance of 155.50 feet to a 5/8 inch iron rod set.

THENCE, with the west line of the Martha G. Miller 166.995 acre tract (Vol. 297, Pg. 278), S 06°-45'-01"E, a distance of 625.02 feet to a 5/8 inch iron rod set.

THENCE, with the north line of the Robin Yoder 29.025 acre tract (O.R. 54, Pg. 271, Tract III), S 83°-11'-55"W, a distance of 1367.92 feet to a MAG nail set, passing a 5/8 inch iron rod set at 1316.22 feet.

THENCE, with the center-line of U.S. Route 68, S 32°-31'-00"W, a distance of 1310.10 feet to a MAG nail set at the intersection of the center-lines of U.S. Route 68 and County Highway 113 (60 feet wide).

INDEXED ON MAP
9459 121

Lee Surveying and Mapping Co., Inc.

Land Surveys • Topography • Subdivisions • Construction Layout

117 N. Madriver St.
Bellefontaine OH 43311



Phone: (937) 593-7335
Fax: (937) 593-7444

THENCE, with the said center-line of County Highway 113, S 82°-54'-30"W, a distance of 327.30 feet to a MAG nail set.

THENCE, with the east lines of the David L. Sutherly 10.56 acre tract (Vol. 340, Pg. 186), the Tony Stephen Elliott 10.000 acre tract (O.R. 173, Pg. 479), the Tony Stephen Elliott 2.00 acre tract (O.R. 5, Pg. 235) and the Tony Stephen Elliott 2.00 acre tract (Vol. 392, Pg. 587), N 07°-04'-50"W, a distance of 3311.59 feet to a 1/2 inch iron rod found, passing a 5/8 inch iron rod found at 20.00 feet and 5/8 inch iron rod set at 3290.59 feet.

THENCE, with the center-line of County Highway 111, the following three (3) courses:

- 1.) N 83°-28'-00"E, a distance of 563.95 feet to a nail found.
- 2.) N 83°-04'-42"E, a distance of 662.83 feet to a 1 inch iron bar found at the intersection of the center-line of County Highway 111 and the line of Virginia Military Surveys 9933 and 9932.
- 3.) N 83°-17'-08"E, a distance of 1592.15 feet to the point of beginning.

Containing 141.424 acres, more or less, of which 5.573 acres are within the highway right-of-way, 81.639 acres are within Virginia Military Survey 9932, and 59.785 acres are within Virginia Military Survey 9933.

The basis for bearings is the center-line of U.S. Route 68, being S 32°-31'-00"W, and all other bearings are from angles and distances measured in a field survey by Lee Surveying and Mapping Co., Inc. on October 15, 2003

Description prepared by:

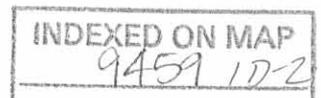
A handwritten signature in black ink that reads 'William K. Bruce'.

William K. Bruce
Professional Surveyor 7438
October 16, 2003



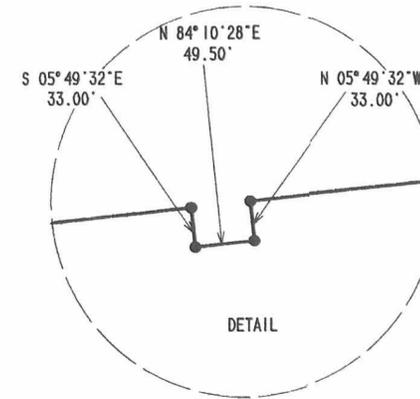
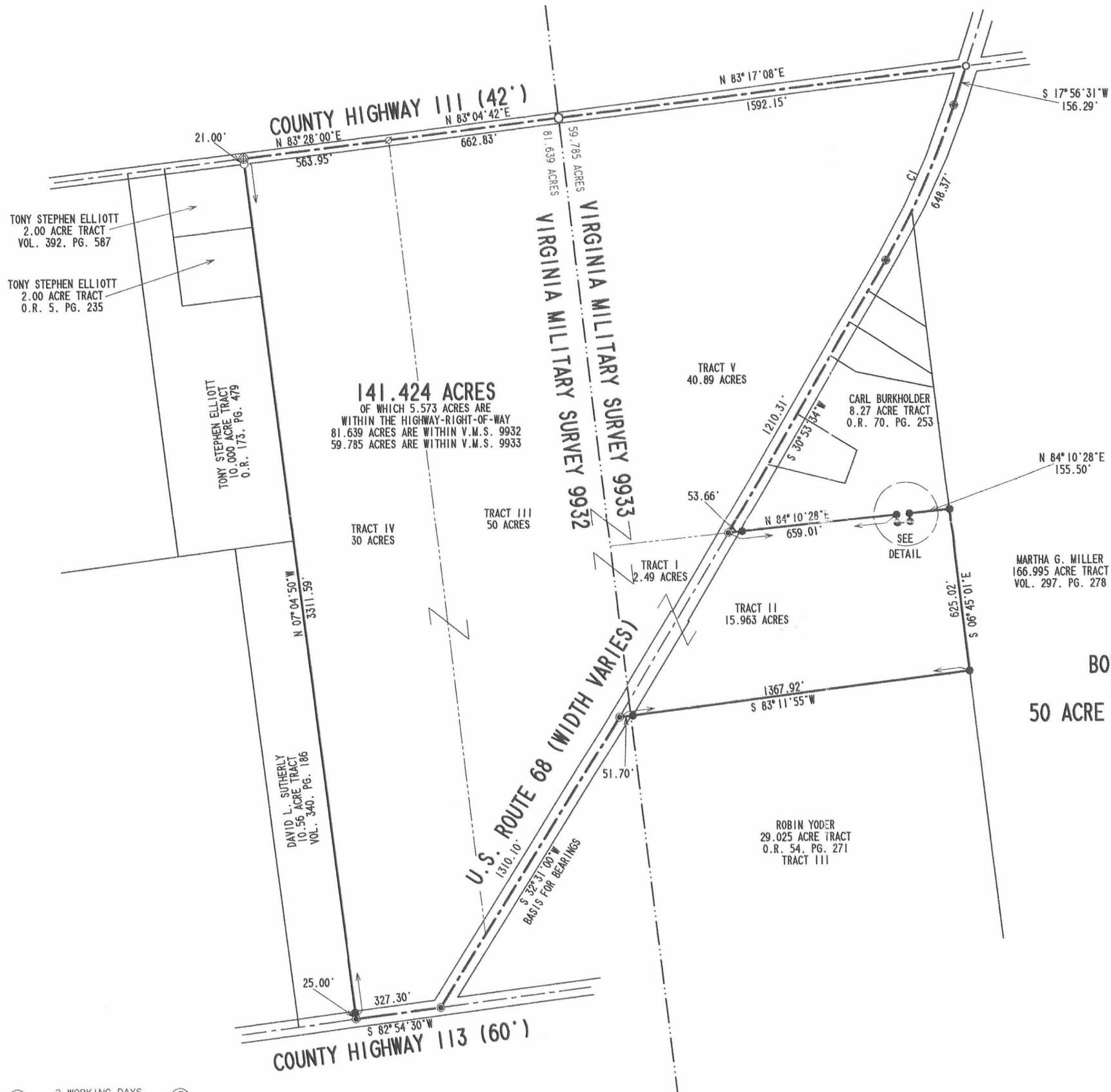
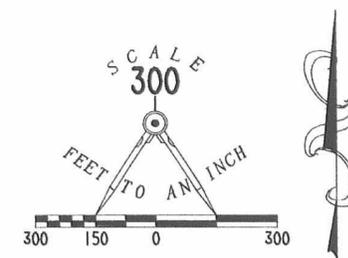
ORIGINAL STAMP IN GREEN

L-3680



REC'D 10-20-03 SMJ OK

CURVE	DELTA ANGLE	RADIUS	ARC	TANGENT	CHORD	CHORD BEARING
C 1	12° 57' 03"	2868.43'	648.37'	325.57'	646.99'	S 24° 25' 02" W



- LEGEND:
- MAG NAIL FOUND
 - 5/8 INCH IRON ROD SET
 - ⊕ 1/2 INCH IRON ROD FOUND
 - ⊗ 1 INCH IRON BAR FOUND
 - 5/8 INCH IRON ROD FOUND
 - MAG NAIL SET
 - ⊗ NAIL FOUND

SURVEY OF THE
BONG OH KIM AND SOON BIN KIM, TRUSTEES
2.94 ACRE TRACT, 15.963 ACRE TRACT,
50 ACRE TRACT, 30 ACRE TRACT, AND 40.89 ACRE TRACT
(141.424 ACRES BY THIS SURVEY)
OFFICIAL RECORD 477, PAGE 957
TRACTS I, II, III, IV, V
VIRGINIA MILITARY SURVEY 9932
VIRGINIA MILITARY SURVEY 9933
RUSHCREEK TOWNSHIP
LOGAN COUNTY, OHIO

SURVEYED BY:

William K. Bruce
WILLIAM K. BRUCE
PROFESSIONAL SURVEYOR 7437
OCTOBER 15, 2003



ORIGINAL STAMP IN GREEN

COPYRIGHT 2003 BY:
LEE SURVEYING & MAPPING CO., INC.
117 North Madriver Street
BELLEFONTAINE, OHIO 43311
(937) 593-7335
D 411 BONGOKIM 3680-2

INDEXED ON MAP
9459 1P

2 WORKING DAYS
BEFORE YOU DIG
CALL TOLL FREE 800-362-2764
OHIO UTILITIES PROTECTION SERVICE.

REC'D 12-26-03 SMJ/OK

Lee Surveying and Mapping Co., Inc.

Land Surveys • Topography • Subdivisions • Construction Layout

117 N. Madriver St.
Bellefontaine OH 43311



Phone: (937) 593-7335
Fax: (937) 593-7444

GINGERICH 16.205 ACRES

Lying in Virginia Military Surveys 9932 and 9933, Rushcreek Township, Logan County, Ohio

Being out of the Lucas Gingerich and Rebecca Gingerich original 141.424 acre tract as deeded and described in Official Record 693, Page 418 of the Logan County Records of Deeds and being more particularly described as follows:

Beginning at the MAG nail set at the intersection of center-lines of U.S. Route 68 (width varies) and County Highway 113 (60 feet wide).

THENCE, with the center-line of U.S. Route 68, N 32°-31'-00"E, a distance of 1310.10 feet to a MAG nail set at the TRUE POINT OF BEGINNING, passing a MAG nail set at a distance of 864.11 feet.

THENCE, with the center-line of U.S. Route 68, N 31°-27'-48"E, a distance of 814.78 feet to a MAG nail set.

THENCE, with the lines of the Carl Burkholder 8.27 acre tract (O.R. 70, Pg. 253), the following 5 courses,

N 84°-10'-28"E, a distance of 659.01 feet to a 5/8 iron rod set, passing a 5/8 inch iron rod set at 53.66 feet.

S 05°-49'-32"E, a distance of 33.00 feet to a 5/8 inch iron rod set.

N 84°-10'-28"E, a distance of 49.50 feet to a 5/8 inch iron rod set.

N 05°-49'-32"W, a distance of 33.00 feet to a 5/8 inch iron rod set.

N 84°-10'-28"E, a distance of 155.50 feet to a 5/8 inch iron rod set.

THENCE, with the west line of the Martha G. Miller, Trustee 146.538 acre tract (O.R. 683, Pg. 801), S 06°-45'-01"E, a distance of 625.02 feet to a 5/8 inch iron rod set.

THENCE, with the north line of the Donald Selhorst 29.025 acre tract (O.R. 54, Pg. 275, Tract III), S 83°-11'-55"W, a distance of 1367.92 feet to the point of beginning, passing a 5/8 inch iron rod set, at 1316.22 feet.

Containing 16.205 acres of which 0.778 acre is within the highway right-of-way.

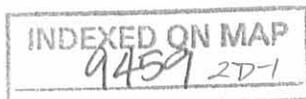
The basis for bearings is the center-line of U.S. Route 68 at County Highway 113 being S 32°-31'-00"W, and all other bearings are from angles and distances measured in a field survey by Lee Surveying and Mapping Co., Inc. on December 19, 2003.

Description prepared by:


Jeffrey I. Lee
Professional Surveyor 6357
December 19, 2003



L-3680



ORIGINAL STAMP IN GREEN

REC'D 12-26-03 SMJ OK

Lee Surveying and Mapping Co., Inc.

Land Surveys • Topography • Subdivisions • Construction Layout

117 N. Madriver St.
Bellefontaine OH 43311



Phone: (937) 593-7335
Fax: (937) 593-7444

GINGERICH 12.522 ACRES

Lying in Virginia Military Survey 9932, Rushcreek Township, Logan County, Ohio

Being out of the Lucas Gingerich and Rebecca Gingerich original 141.424 acre tract as deeded and described in Official Record 693, Page 418 of the Logan County Records of Deeds and being more particularly described as follows:

Beginning at the MAG nail set at the intersection of center-lines of U.S. Route 68 (width varies) and County Highway 113 (60 feet wide).

THENCE, with the center-line of County Highway 113, S 82°-54'-30"W, a distance of 327.30 feet to a MAG nail set.

THENCE, with the east line of the David L. Sutherly 10.56 acre tract (Vol. 340, Pg. 186), N 07°-04'-50"W, a distance of 921.83 feet to a 5/8 inch iron rod set, passing a 5/8 inch iron rod set a distance of 25.00 feet.

THENCE, S 87°-50'-42"E, a distance of 569.50 feet to a 5/8 inch iron rod set.

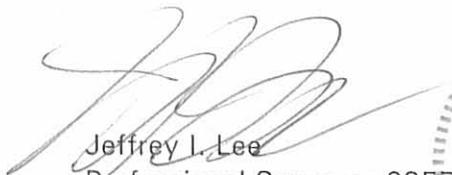
* THENCE, S 69°-34'-19"E, a distance of 356.23 feet to a MAG nail set, passing a 5/8 iron rod at 320.44 feet.

THENCE, with the center-line of U.S. Route 68, S 32°-31'-00"W, a distance of 864.11 feet to the point of beginning.

Containing 12.522 acres of which 0.906 acre is within the highway right-of-way.

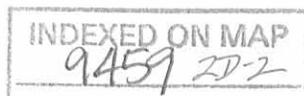
The basis for bearings is the center-line of U.S. Route 68, being S 32°-31'-00"W, and all other bearings are from angles and distances measured in a field survey by Lee Surveying and Mapping Co., Inc. on December 19, 2003.

Description prepared by:

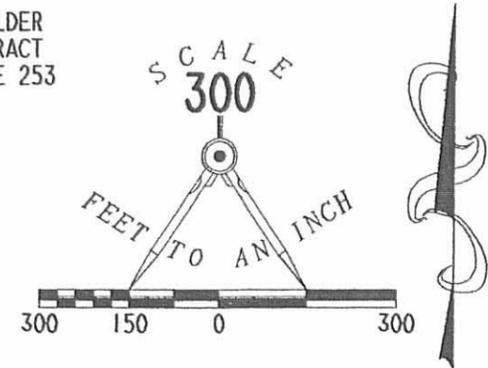
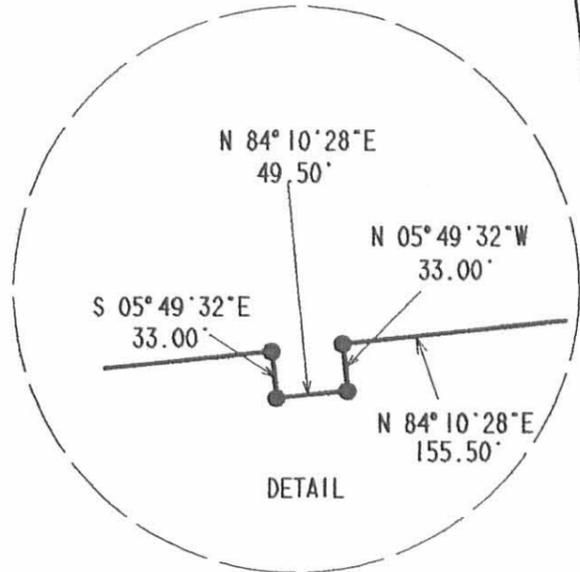

Jeffrey I. Lee
Professional Surveyor 6357
December 19, 2003



L-3680



REC'D 12-26-03 SMM/OK



LUCAS GINGERICH AND REBECCA GINGERICH
ORIGINAL 141.424 ACRE TRACT
OFFICIAL RECORD 693, PAGE 418

CARL BURKHOLDER
8.27 ACRE TRACT
O.R. 70, PAGE 253

16.205 ACRES
OF WHICH 0.778
ACRE IS WITHIN THE
HIGHWAY RIGHT-OF-WAY

MARTHA G. MILLER TRUSTEE
146.538 ACRE TRACT
O.R. 683, PG. 801

0.028 ACRE IN
VIRGINIA MILITARY SURVEY 9932

16.177 ACRES IN
VIRGINIA MILITARY SURVEY 9933

**BOUNDARY SURVEY OF TWO TRACTS OUT OF THE
LUCAS GINGERICH AND REBECCA GINGERICH
ORIGINAL 141.424 ACRE TRACT
OFFICIAL RECORD 693, PAGE 418
VIRGINIA MILITARY SURVEY 9932
VIRGINIA MILITARY SURVEY 9933
RUSHCREEK TOWNSHIP
LOGAN COUNTY, OHIO**

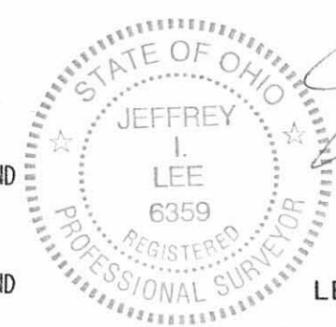
DAVID L. SUTHERLY
10.56 ACRE TRACT
VOL. 340, PG. 186

12.522
ACRES
OF WHICH 0.906
ACRE IS WITHIN THE
HIGHWAY RIGHT-OF-WAY

DONALD SELHORST
29.025 ACRE TRACT
O.R. 54, PG. 275
TRACT 111

SURVEYED BY:

- LEGEND:
- MAG NAIL FOUND
 - 5/8 INCH IRON ROD SET
 - ⊕ 1/2 INCH IRON ROD FOUND
 - ⊙ 1 INCH IRON BAR FOUND
 - 5/8 INCH IRON ROD FOUND
 - MAG NAIL SET
 - ⊗ NAIL FOUND



Jeffrey I. Lee
JEFFREY I. LEE
PROFESSIONAL SURVEYOR 6359
DECEMBER 19, 2003

COPYRIGHT 2003 BY:
LEE SURVEYING & MAPPING CO., INC.
117 North Madriver Street
BELLEFONTAINE, OHIO 43311
(937) 593-7335
D 411 BONGOK12 3680-2

INDEXED ON MAP
9459 2P

2 WORKING DAYS
BEFORE YOU DIG
CALL TOLL FREE **800-362-2764**
OHIO UTILITIES PROTECTION SERVICE.

COUNTY HIGHWAY 113 (60')

U.S. ROUTE 68 (WIDTH VARIES)
VIRGINIA MILITARY SURVEY 9932
VIRGINIA MILITARY SURVEY 9933