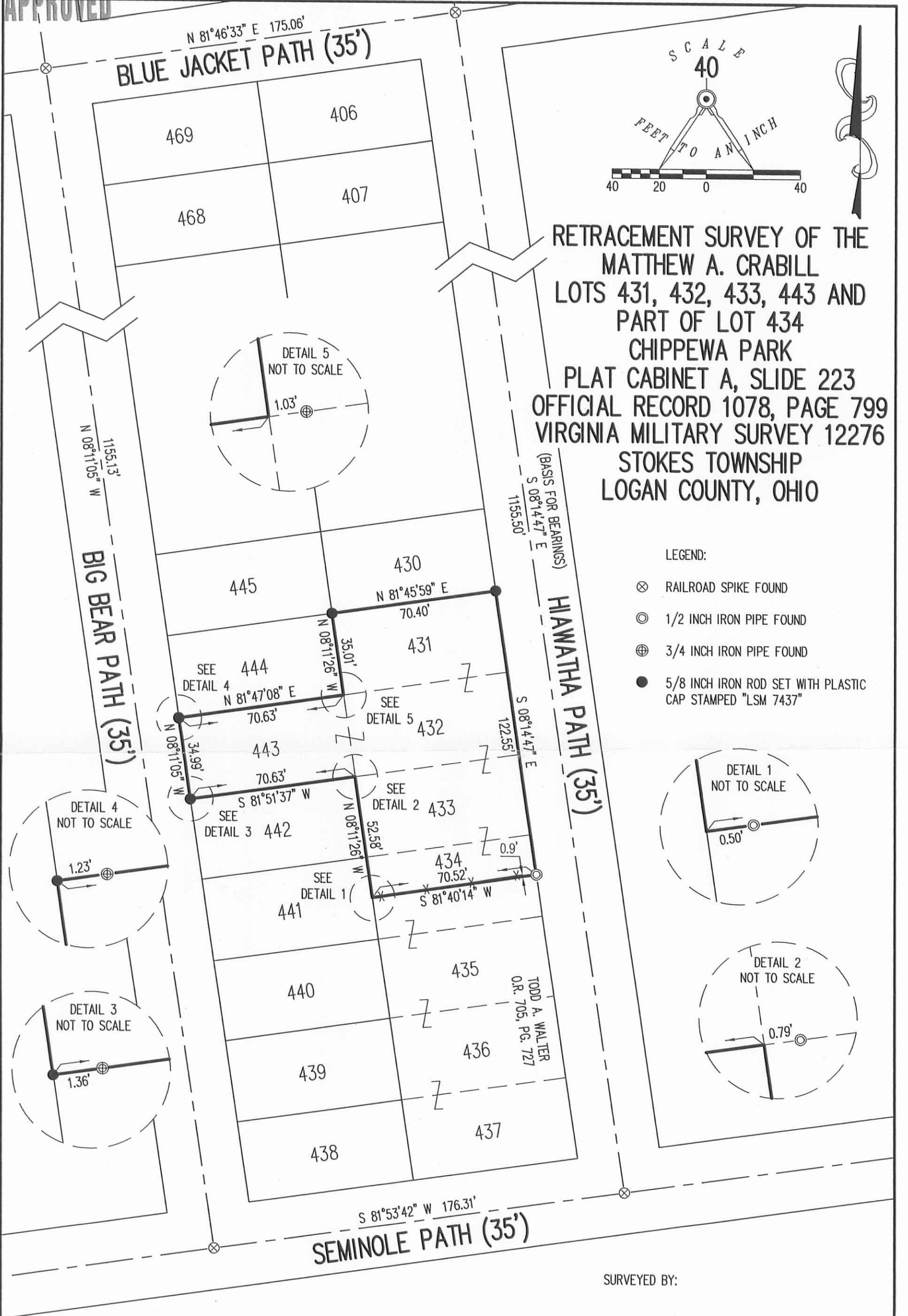


12-13-12

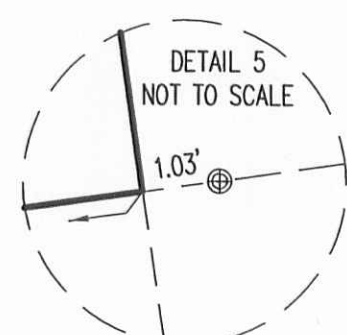
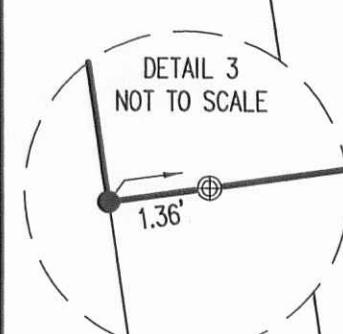
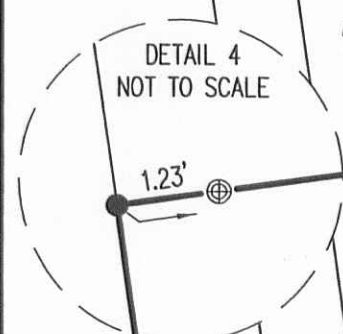
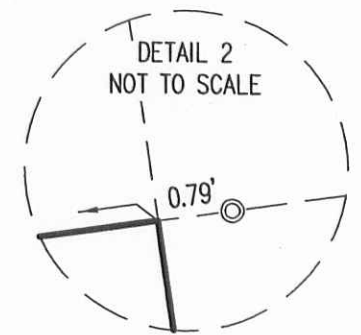
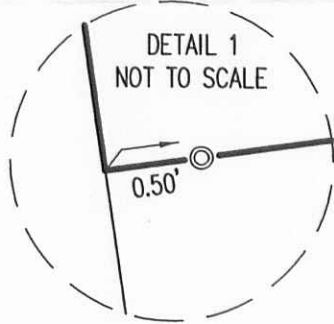
APPROVED



RETRACEMENT SURVEY OF THE
 MATTHEW A. CRABILL
 LOTS 431, 432, 433, 443 AND
 PART OF LOT 434
 CHIPPEWA PARK
 PLAT CABINET A, SLIDE 223
 OFFICIAL RECORD 1078, PAGE 799
 VIRGINIA MILITARY SURVEY 12276
 STOKES TOWNSHIP
 LOGAN COUNTY, OHIO

LEGEND:

- ⊗ RAILROAD SPIKE FOUND
- ⊙ 1/2 INCH IRON PIPE FOUND
- ⊕ 3/4 INCH IRON PIPE FOUND
- 5/8 INCH IRON ROD SET WITH PLASTIC CAP STAMPED "LSM 7437"



SURVEYED BY:

William K. Bruce
 WILLIAM K. BRUCE

PROFESSIONAL SURVEYOR 7437
 DECEMBER 10, 2012

COPYRIGHT 2012 BY:

LEE SURVEYING & MAPPING CO., INC.
 117 North Madriver Street
 BELLEFONTAINE, OHIO 43311
 (937) 593-7335
 WWW.LSMINC.US
 surveys@lsminc.us



ORIGINAL STAMP IN GREEN

INDEXED ON MAP
 6468 1P

2 WORKING DAYS
 BEFORE YOU DIG
 CALL TOLL FREE 800-362-2764
 OHIO UTILITIES PROTECTION SERVICE

KSS D1112 54461112 L-5446-3

6-30-16



APPROVED

BLUE JACKET PATH (35')

S 89°13'45" E 175.22'

469	406
468	407

450	425
449	426

SEE 448
DETAIL B

S 89°09'38" E
140.88'

447 428

N 89°09'08" W 140.91'

WILLIAM W. BORLAND AND
SHARON J. BORLAND 429
O.R. 896, PG. 794
TRACT ONE & TWO

SEE 445
DETAIL A

140.97'

N 89°08'39" W

444 430

444	431
443	432

442	433
-----	-----

441	434
-----	-----

440	435
-----	-----

439	436
-----	-----

438	437
-----	-----

N 89°06'26" W 176.24'

SEMINOLE PATH (35')

BIG BEAR PATH (35')

(BASIS FOR BEARINGS)
N 00°48'35" E

N 00°48'35" E

35.00'

N 00°48'35" E

70.02'

N 00°48'35" E

70.04'

N 00°48'35" E

1155.24'

HIAWATHA PATH (35')

S 00°45'33" W

35.02'

S 00°45'33" W

70.04'

S 00°45'33" W

1155.61'

S 00°45'33" W

S 00°45'33" W

S 00°45'33" W

S 00°45'33" W

S 00°45'33" W

S 00°45'33" W

S 00°45'33" W

S 00°45'33" W

S 00°45'33" W

S 00°45'33" W

S 00°45'33" W

S 00°45'33" W

S 00°45'33" W

S 00°45'33" W

S 00°45'33" W

S 00°45'33" W

S 00°45'33" W

S 00°45'33" W

S 00°45'33" W

S 00°45'33" W

S 00°45'33" W

S 00°45'33" W

S 00°45'33" W

S 00°45'33" W

S 00°45'33" W

S 00°45'33" W

S 00°45'33" W

S 00°45'33" W

S 00°45'33" W

S 00°45'33" W

S 00°45'33" W

S 00°45'33" W

S 00°45'33" W

S 00°45'33" W

S 00°45'33" W

S 00°45'33" W

S 00°45'33" W

S 00°45'33" W

S 00°45'33" W

S 00°45'33" W

S 00°45'33" W

S 00°45'33" W

S 00°45'33" W

S 00°45'33" W

S 00°45'33" W

S 00°45'33" W

S 00°45'33" W

S 00°45'33" W

S 00°45'33" W

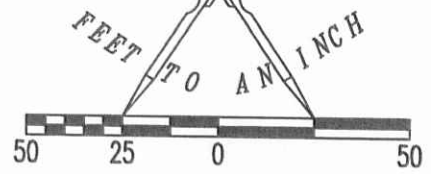
S 00°45'33" W

S 00°45'33" W

S 00°45'33" W

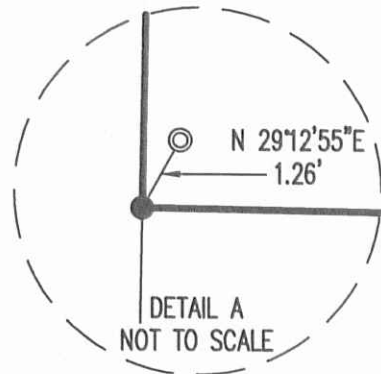
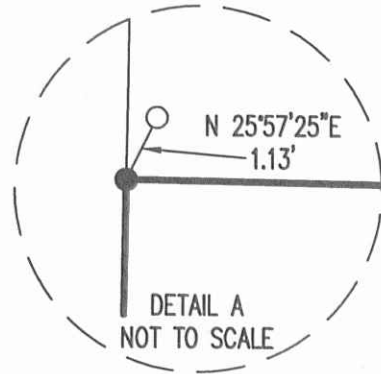
S 00°45'33" W

SCALE
50



LEGEND:

- ⊗ RAILROAD SPIKE FOUND
- ⊙ 1-1/2 INCH IRON PIPE FOUND
- 5/8 INCH IRON ROD FOUND
- 5/8 INCH IRON ROD SET WITH PLASTIC I.D. CAP STAMPED "LSM 7437"



RETRACEMENT SURVEY OF THE
WILLIAM W. BORLAND AND
SHARON J. BORLAND
LOTS 428, 429, 430, 445, 446 & 447
CHIPPEWA PARK
PLAT CABINET A, SLIDE 221
OFFICIAL RECORD 896, PAGE 794
TRACT ONE & TRACT TWO
STOKES TOWNSHIP
LOGAN COUNTY, OHIO

SURVEYED BY:

William K. Bruce

WILLIAM K. BRUCE
PROFESSIONAL SURVEYOR 7437
MAY 23, 2016
REVISED JUNE 28, 2016 (TO SHOW SOUTH LINES OF
LOTS 428 AND 447)

COPYRIGHT 2016 BY:
LEE SURVEYING & MAPPING CO., INC.
117 North Madriver Street
BELLEFONTAINE, OHIO 43311
(937) 593-7335
WWW.LSMINC.US
surveys@lsminc.us



ORIGINAL STAMP IN GREEN

THIS SURVEY WAS PREPARED IN THE ABSENCE OF
A COMPLETE AND ACCURATE TITLE SEARCH AND
DOES NOT GUARANTEE TITLE.

2 WORKING DAYS



BEFORE YOU DIG



INDEXED ON MAP

6468 2P

CALL TOLL FREE **800-362-2764**

OHIO UTILITIES PROTECTION SERVICE

KSS D0516 28430516REV L-2843-3