

7-3-18
 ✓ APPROVED

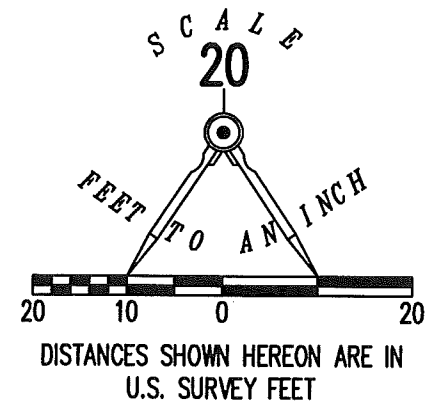
BASIS FOR BEARINGS:

- ⊕ 1-1/4 INCH IRON PIPE FOUND
- ⊙ 1/2 INCH IRON PIPE FOUND
- ⊙ 3/4 INCH IRON PIPE FOUND
- 5/8 INCH IRON ROD FOUND
- 5/8 INCH IRON ROD SET WITH PLASTIC I.D. CAP STAMPED "P.S. 8533"

R/W = RIGHT-OF-WAY

C/L = CENTER-LINE 46-335

**RETRACEMENT SURVEY OF THE
 CYNTHIA L. SMITH
 LOT 398
 AVONDALE PARK ALLOTMENT NO. 6
 PLAT CABINET A, SLIDE 279
 AND LOT 46-366
 INDIAN LAKE RESERVOIR LANDS
 PLAT CABINET A, SLIDE 469
 OFFICIAL RECORD 1282, PAGE 635
 PARCEL ONE AND PARCEL TWO
 VIRGINIA MILITARY SURVEY 12276
 STOKES TOWNSHIP
 LOGAN COUNTY, OHIO**



EXISTING CHANNEL TO INDIAN LAKE
 5" CONCRETE SEAWALL

BASIS FOR BEARINGS:

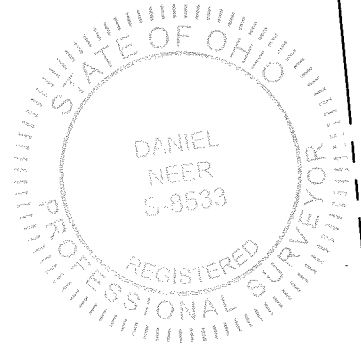
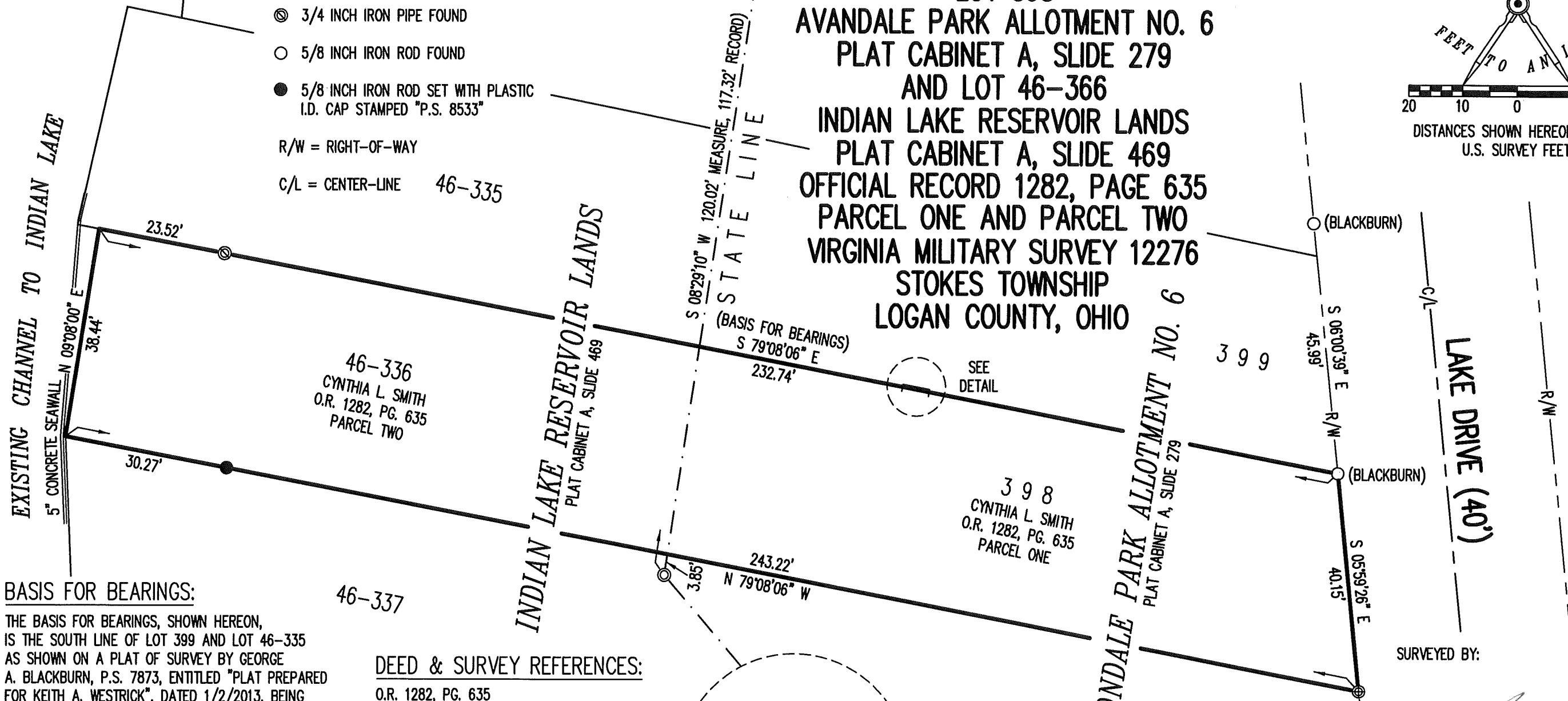
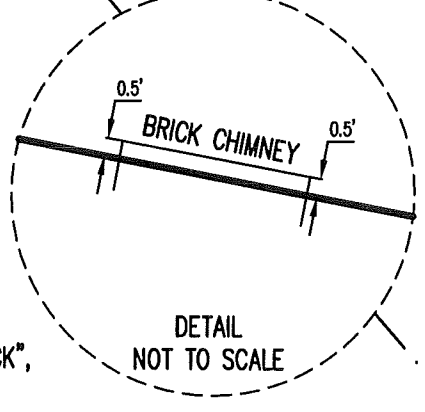
THE BASIS FOR BEARINGS, SHOWN HEREON, IS THE SOUTH LINE OF LOT 399 AND LOT 46-335 AS SHOWN ON A PLAT OF SURVEY BY GEORGE A. BLACKBURN, P.S. 7873, ENTITLED "PLAT PREPARED FOR KEITH A. WESTRICK", DATED 1/2/2013, BEING S 79°08'06" E.

THIS SURVEY WAS PREPARED IN THE ABSENCE OF A COMPLETE AND ACCURATE TITLE SEARCH AND DOES NOT GUARANTEE TITLE.

2 WORKING DAYS
BEFORE YOU DIG
 CALL TOLL FREE **800-362-2764**
 OHIO UTILITIES PROTECTION SERVICE

DEED & SURVEY REFERENCES:

- O.R. 1282, PG. 635
- AVONDALE PARK ALLOTMENT NO. 6 PLAT CABINET A, SLIDE 279
- INDIAN LAKE RESERVOIR LANDS PLAT CABINET A, SLIDE 469
- SURVEY BY GEORGE A. BLACKBURN, P.S. 7873, ENTITLED "PLAT PREPARED FOR KEITH A. WESTRICK", DATED 1/2/2013
- LOGAN COUNTY MAP ROOM FILE 2137.



SURVEYED BY:
Daniel A. Neer
 DANIEL A. NEER
 PROFESSIONAL SURVEYOR NO. 8533
 JUNE 21, 2018

COPYRIGHT 2018 BY:
LEE SURVEYING & MAPPING CO.
 117 North Madriver Street
 BELLEFONTAINE, OHIO 43311
 (937) 593-7335
 www.LEE-SURVEYING.COM
 surveys@lee-surveying.com
 KSS D0618 63970618 L-6397-3

INDEXED ON MAP
 6553