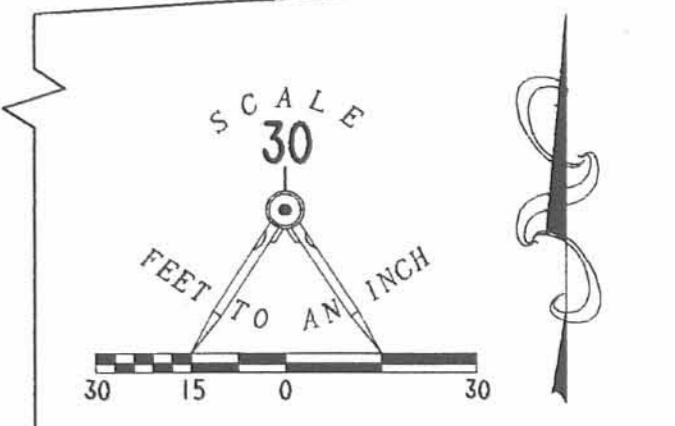
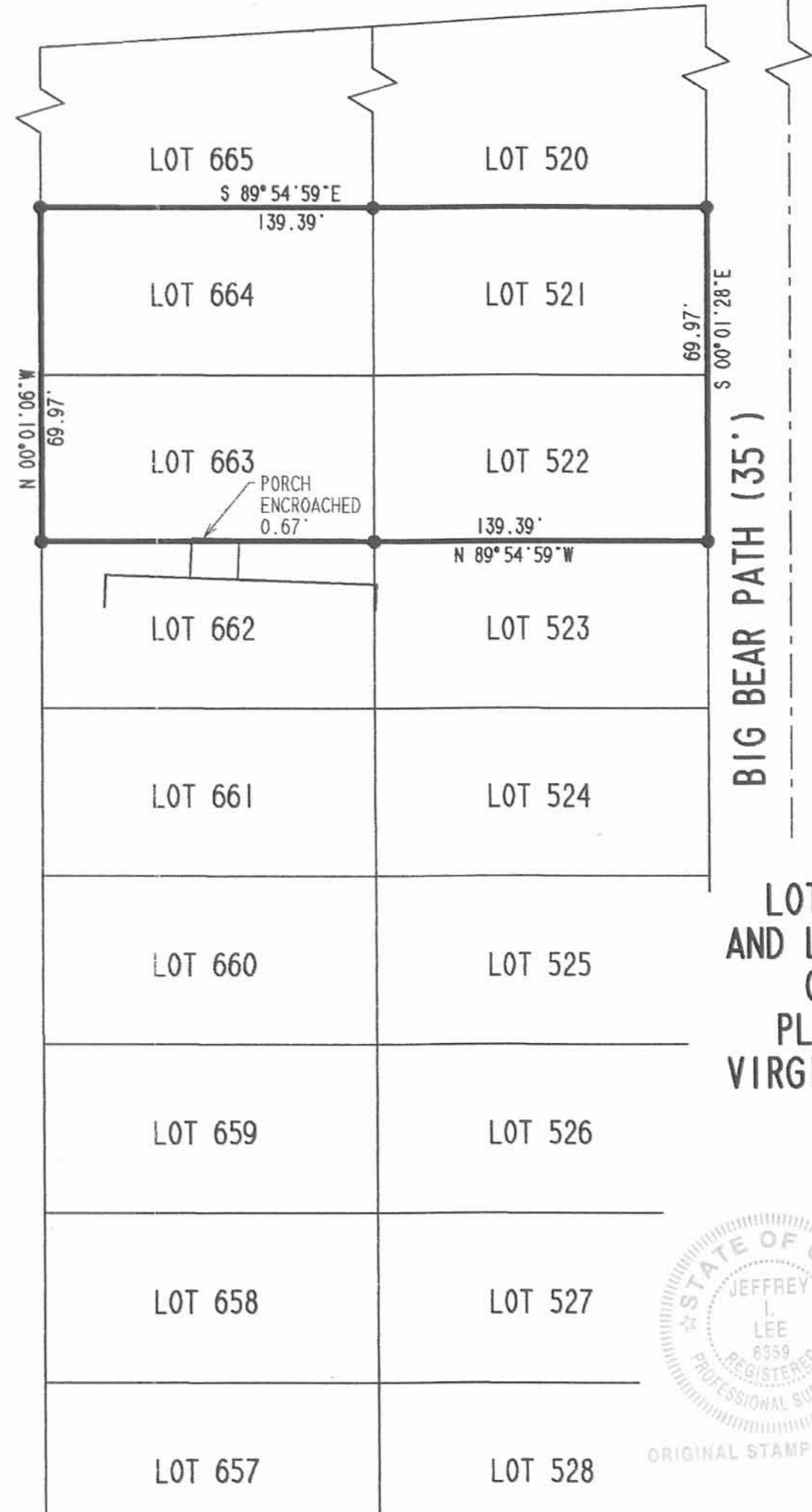
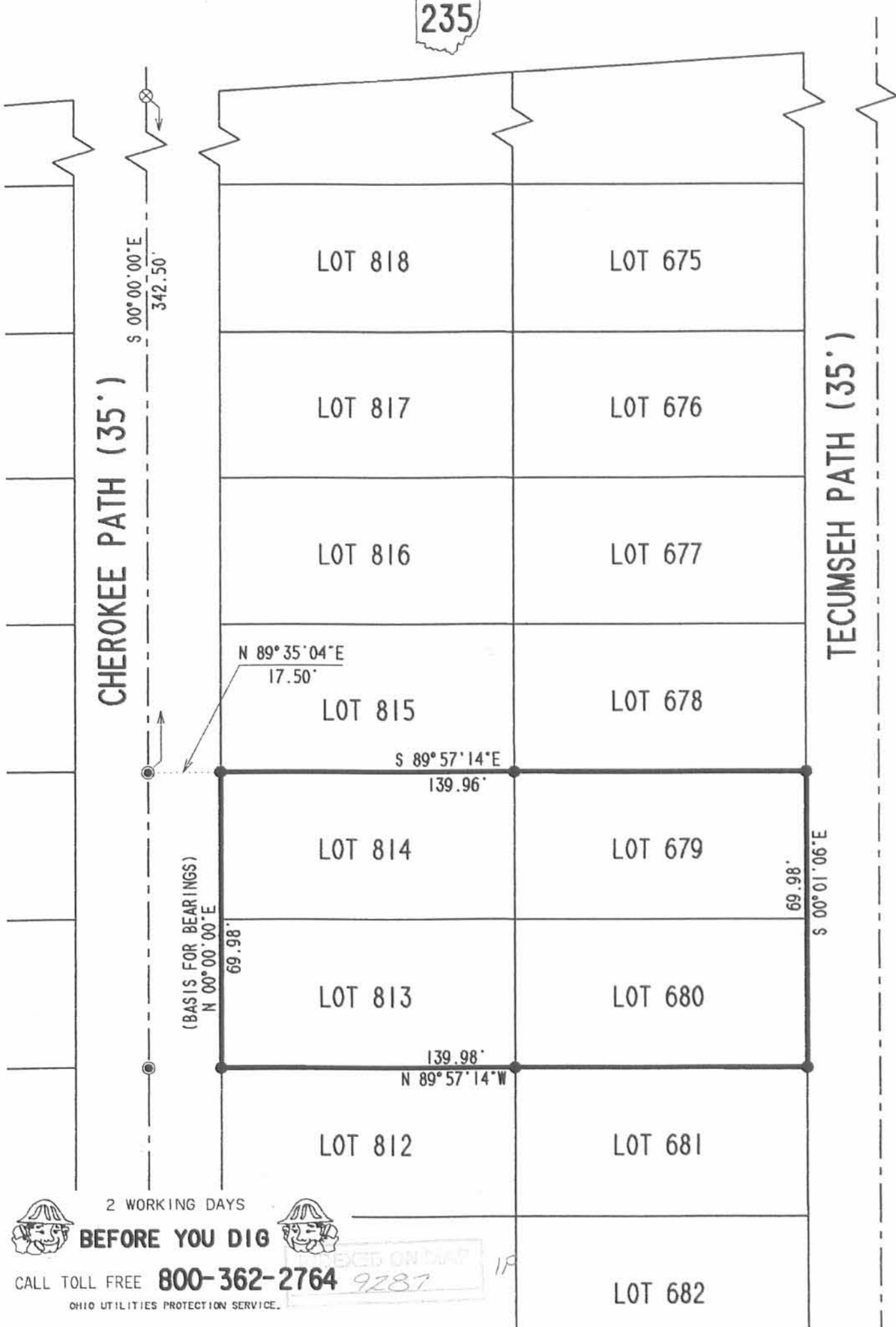


REC'D 11-9-99 SWM OK ✓

235



RETRACEMENT SURVEY OF
 LOTS 521, 522, 663 AND 664
 AND LOTS 679, 680, 813 AND 814
 OF CHIPPEWA PARK NO. 1
 PLAT CABINET A, SLIDE 221
 VIRGINIA MILITARY SURVEY 12276
 STOKES TOWNSHIP
 LOGAN COUNTY, OHIO



SURVEYED BY:
 JEFFREY I. LEE
 PROFESSIONAL SURVEYOR 6359
 OCTOBER 27, 1999

COPYRIGHT 1999 BY:
 LEE SURVEYING & MAPPING CO., INC.
 117 North Madriver Street
 BELLEFONTAINE, OHIO 43311
 (937) 593-7335

2 WORKING DAYS
BEFORE YOU DIG
 CALL TOLL FREE **800-362-2764**
 OHIO UTILITIES PROTECTION SERVICE.

9287

ORIGINAL STAMP IN GREEN

D 361 JUSTICE L-2836-3

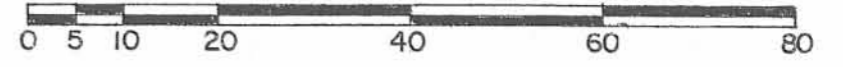
RED 9-9-03 SMMOK

MAP ROOM



INDEXED ON MAP
9287

2P



Scale: 1" = 20'

SYMBOLS:

- - Magnetic P. K. Nails Set.
- - 5/8" Rebars Found.
- - 5/8" x 30" Rebars Set.

Reference:

Chippewa Park No. 1.
Plat Cab. A Slides 221-223.

Survey of Lot No.'s 660-661, Chippewa Park No. 1,
V. M.S. No. 12276, Stokes Township,
Logan County, Ohio.

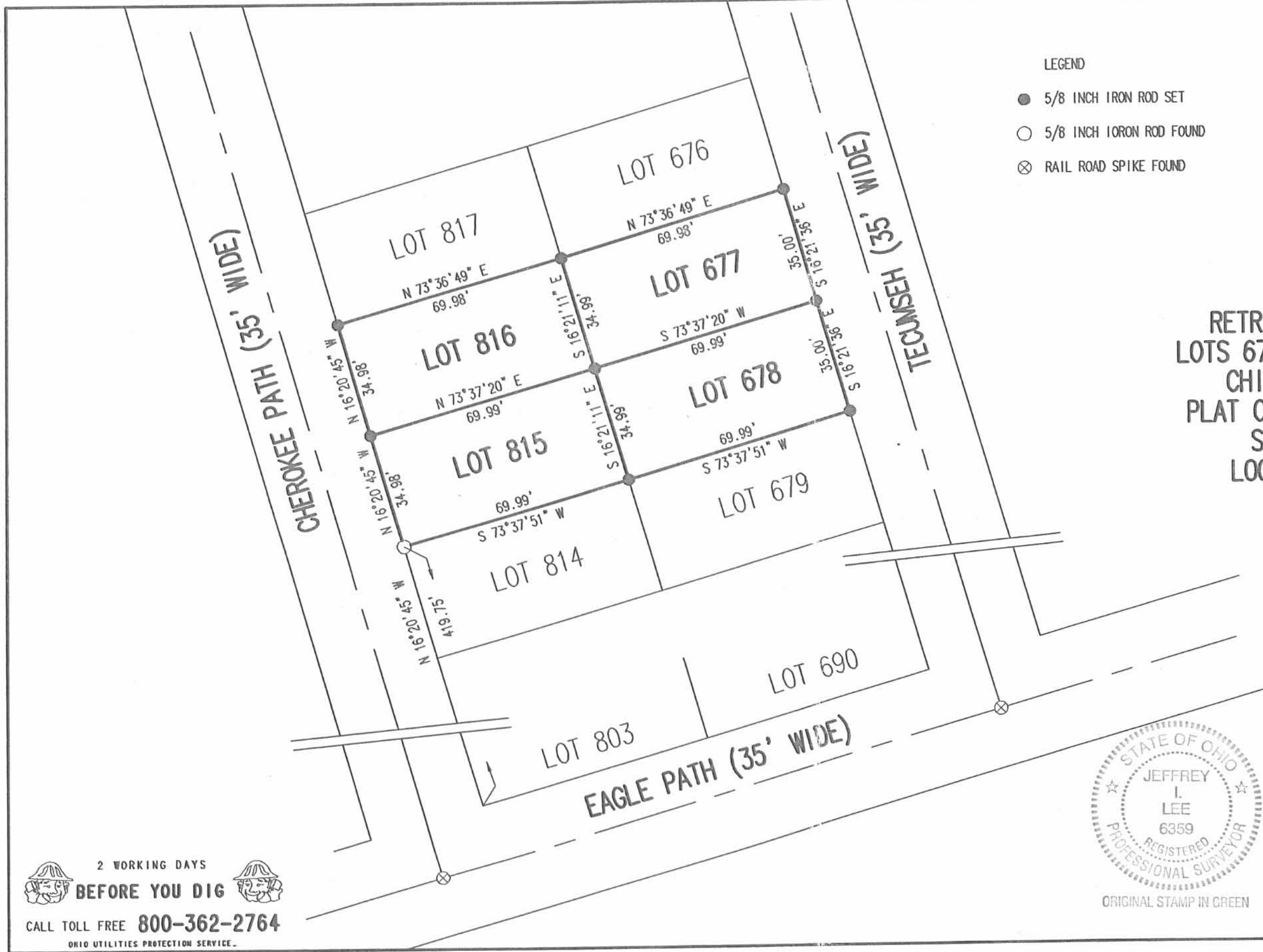
SCALE: 1" = 20'	APPROVED BY:	DRAWN BY DEG
DATE: 8-23-2003		REVISED

Daniel E. Gilbert

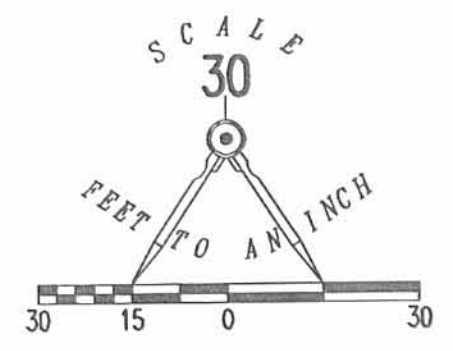
Daniel E. Gilbert, P.S.
Reg. Sur. No. 5402

DRAWING NUMBER
2003 - 016

REC'D 4-12-05 SMM OK



- LEGEND
- 5/8 INCH IRON ROD SET
 - 5/8 INCH IRON ROD FOUND
 - ⊗ RAIL ROAD SPIKE FOUND



RETRACEMENT SURVEY OF
 LOTS 677, 678, 815 AND 816
 CHIPPEWA PARK No. 1
 PLAT CABINET A, SLIDE 221
 STOKES TOWNSHIP
 LOGAN COUNTY, OHIO



ORIGINAL STAMP IN GREEN

SURVEYED BY:

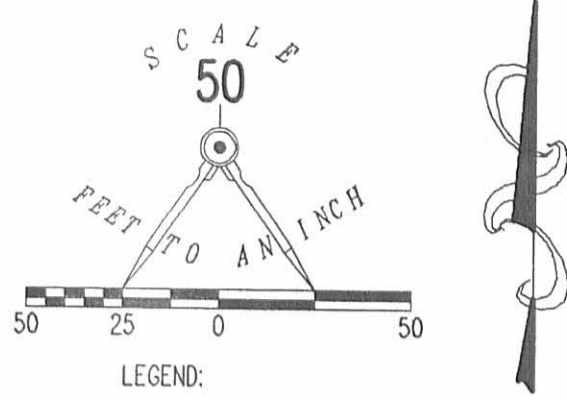
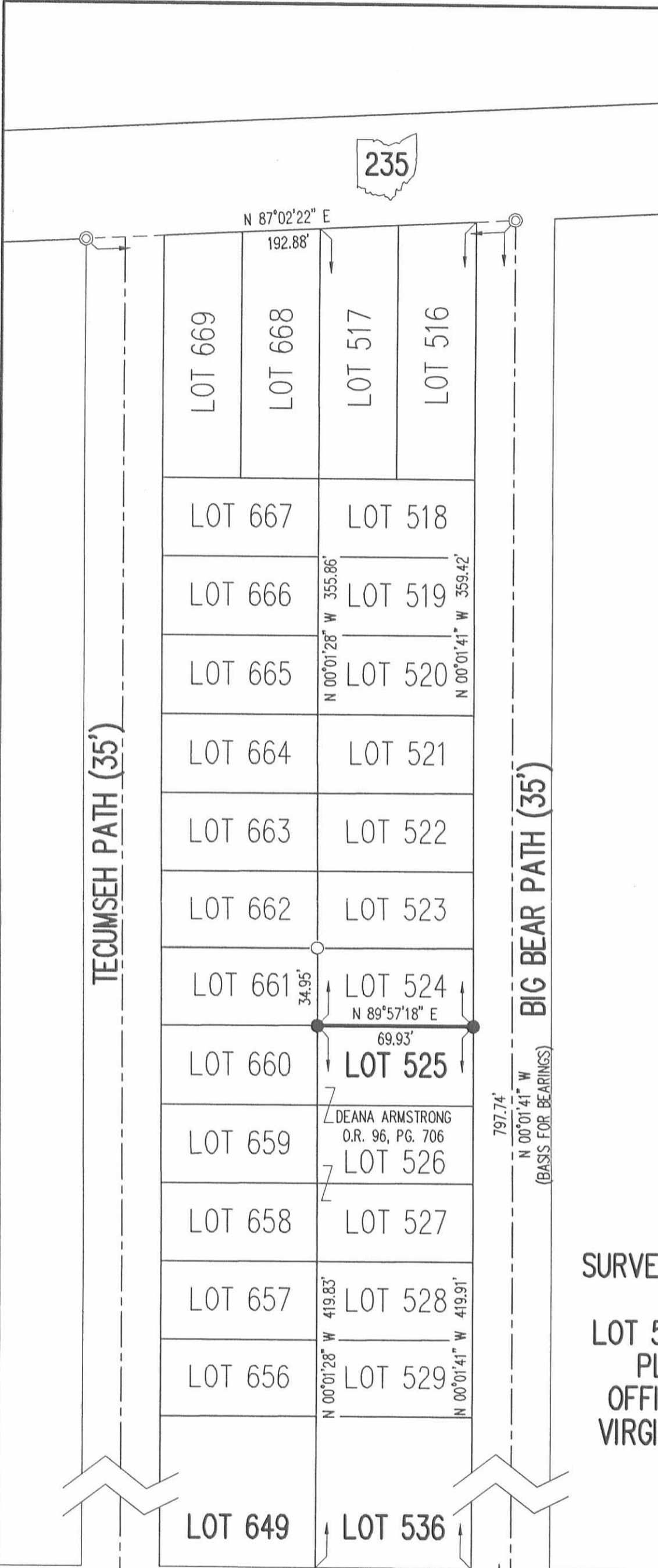
[Signature]
 JEFFREY I. LEE
 PROFESSIONAL SURVEYOR 6359
 APRIL 8, 2005

COPYRIGHT 2005 BY:
LEE SURVEYING & MAPPING CO., INC.
 117 North Modriver Street
 BELLEFONTAINE, OHIO 43311
 (937) 593-7335

ADW D0405 4014045 L-4014045-3

2 WORKING DAYS
BEFORE YOU DIG
 CALL TOLL FREE **800-362-2764**
 OHIO UTILITIES PROTECTION SERVICE

INDEXED ON MAP
 9287 3P

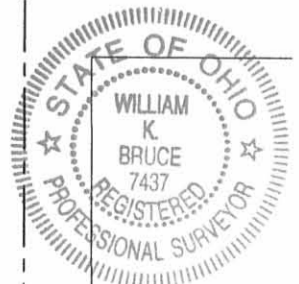


**SURVEY OF THE NORTH LINE OF THE
 DEANNA ARMSTRONG
 LOT 525 OF CHIPPEWA PARK NO. 1
 PLAT CABINET A, SLIDE 221
 OFFICIAL RECORD 96, PAGE 706
 VIRGINIA MILITARY SURVEY 12276
 STOKES TOWNSHIP
 LOGAN COUNTY, OHIO**

SURVEYED BY:

William K. Bruce
 WILLIAM K. BRUCE
 PROFESSIONAL SURVEYOR 7437
 JUNE 6, 2008

INDEXED ON MAP
 9287 4P

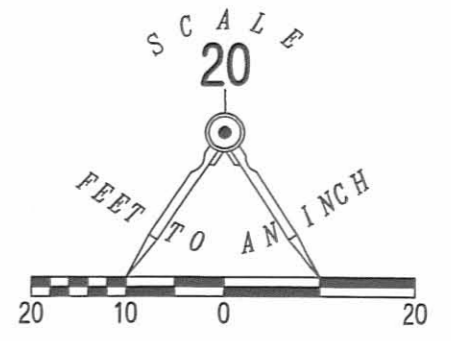


ORIGINAL STAMP IN GREEN

COPYRIGHT 2008 BY:
LEE SURVEYING & MAPPING CO., INC.
 117 North Madriver Street
 BELLEFONTAINE, OHIO 43311
 (937) 593-7335
 KSS D0608 4649068 L-4649-3

2 WORKING DAYS
BEFORE YOU DIG
 CALL TOLL FREE **800-362-2764**
 OHIO UTILITIES PROTECTION SERVICE.

REC'D 7-20-11 S.M.Y. OK

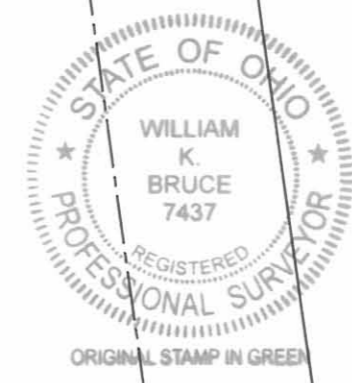


- LEGEND:
- 5/8 INCH IRON ROD FOUND
 - 5/8 INCH IRON ROD SET WITH PLASTIC I.D. CAP STAMPED "LSM 7437"

RETRACEMENT SURVEY OF THE
 CHARLES BLANKENSHIP, JR.
 LOT 659 OF CHIPPEWA PARK NO. 1
 PLAT CABINET A, SLIDE 221
 OFFICIAL RECORD 1033, PAGE 777
 VIRGINIA MILITARY SURVEY 12276
 STOKES TOWNSHIP
 LOGAN COUNTY, OHIO

SURVEYED BY:

William K. Bruce
 WILLIAM K. BRUCE
 PROFESSIONAL SURVEYOR 7437
 JULY 14, 2011



COPYRIGHT 2011 BY:
 LEE SURVEYING & MAPPING CO., INC.
 117 North Madriver Street
 BELLEFONTAINE, OHIO 43311
 (937) 593-7335
 surveys@lsmcinc.us
 KSS D0711 51710711 L-5171-3

2 WORKING DAYS
 BEFORE YOU DIG
 CALL TOLL FREE 800-362-2764
 OHIO UTILITIES PROTECTION SERVICE

INDEXED ON MAP
 9287 SP