

REC'D 4-15-02 SMM OK

# Lee Surveying and Mapping Co., Inc.

Land Surveys • Topography • Subdivisions • Construction Layout

117 N. Madriver St.  
Bellefontaine OH 43311



Phone: (937) 593-7335  
Fax: (937) 593-7444

## ESSINGER LOT 51 AND HALF OF LOT 52

Lying in Virginia Military Survey 12276, Stokes Township, Logan County, Ohio.

Being all of Lot 51 and the east one half of Lot 52 of Chippewa Park Allotment No. 1 as recorded in Plat Cabinet A, Slide 223 of the Logan County Records of Plats.

Description prepared by:



ORIGINAL STAMP IN GREEN

*Jeffrey I. Lee*  
Jeffrey I. Lee  
Professional Surveyor 6359  
April 9, 2002

L-3344

INDEXED ON MAP  
9399

1D-1

REC'D 4-15-02 SMJ ok

# Lee Surveying and Mapping Co., Inc.

Land Surveys • Topography • Subdivisions • Construction Layout

117 N. Madriver St.  
Bellefontaine OH 43311



Phone: (937) 593-7335  
Fax: (937) 593-7444

## ESSINGER LOT 53 AND ONE HALF OF LOT 52


Lying in Virginia Military Survey 12276, Stokes Township, Logan County, Ohio.

Being all of Lot 53 and the west one half of Lot 52 of Chippewa Park Allotment No. 1 as recorded in Plat Cabinet A, Slide 223 of the Logan County Records of Plats.



ORIGINAL STAMP IN GREEN

Description prepared by:

  
Jeffrey I. Lee  
Professional Surveyor 6359  
April 9, 2002

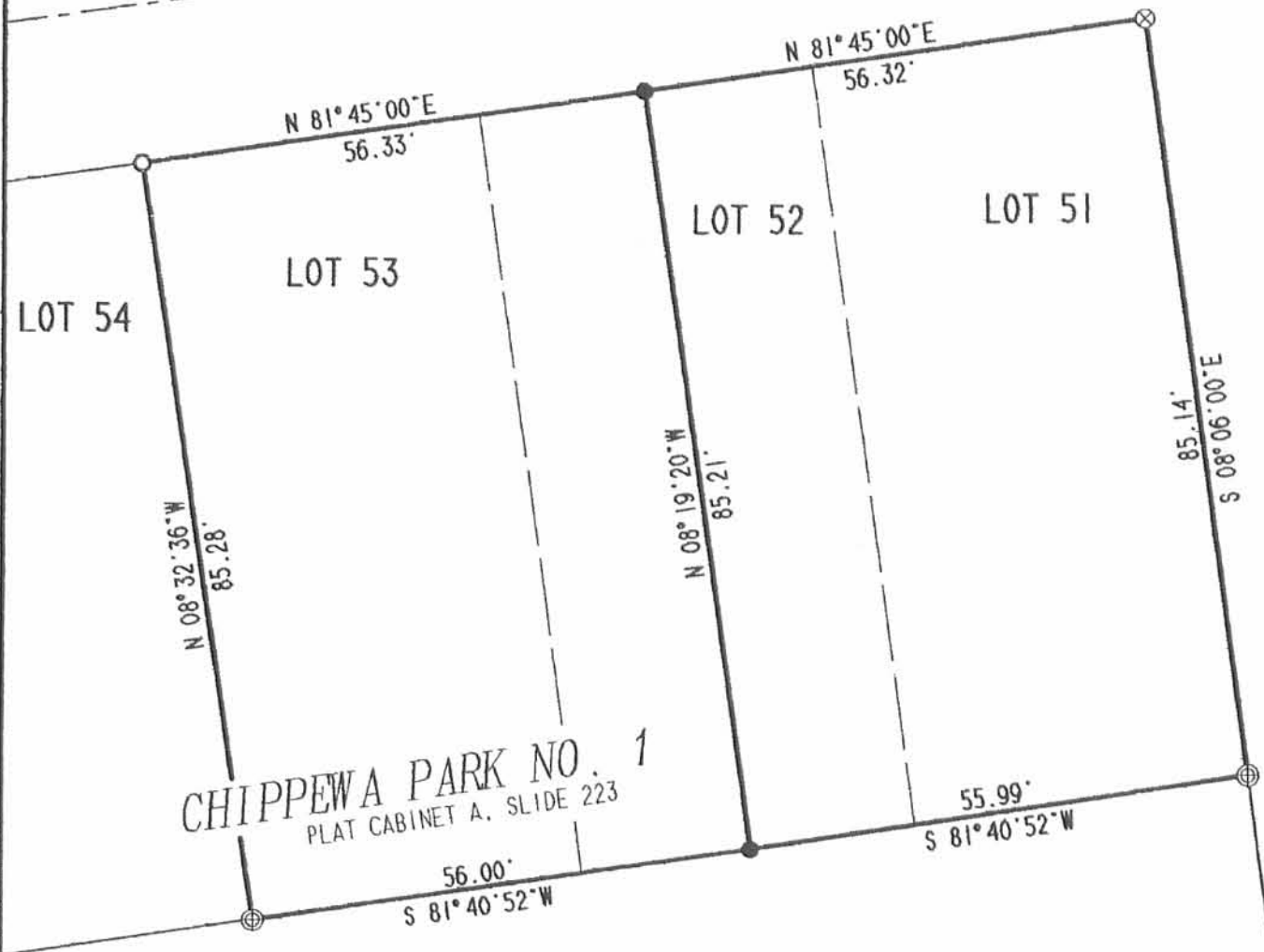
L-3344

INDEXED ON MAP  
9399

1D-2

REV'D 4-15-02 SMY

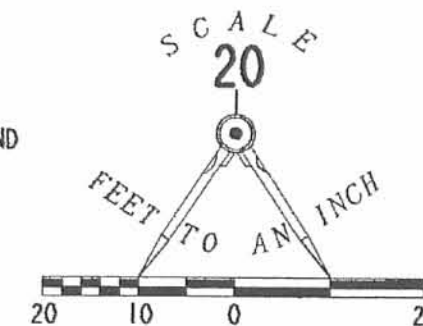
BLUE JACKET PATH (35')



PAUL F. GRIFFITH, TRUSTEE  
0.63 ACRE  
O.R. 464, PG. 424

LEGEND

- 5/8 INCH IRON ROD SET
- ⊕ 1-1/2 INCH IRON PIPE FOUND
- 3/4 INCH IRON PIPE FOUND
- ⊗ RAILROAD SPIKE FOUND



SURVEY OF TWO TRACTS  
OUT OF LOT 51, LOT 52 & LOT 53  
OF CHIPPEWA PARK ALLOTMENT NO. 1  
PLAT CABINET A. SLIDE 223  
VIRGINIA MILITARY SURVEY 12276  
STOKES TOWNSHIP  
LOGAN COUNTY, OHIO



ORIGINAL STAMP IN GREEN

SURVEYED BY:

*Jeffrey I. Lee*  
 JEFFREY I. LEE  
 PROFESSIONAL SURVEYOR 6359  
 APRIL 9, 2002

COPYRIGHT 2002 BY:  
 LEE SURVEYING & MAPPING CO., INC.  
 117 North Madriver Street  
 BELLEFONTAINE, OHIO 43311  
 (937) 593-7335

D 410

DESNGR

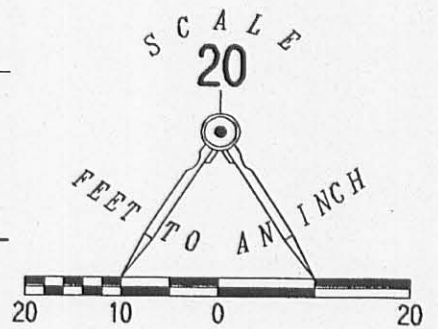
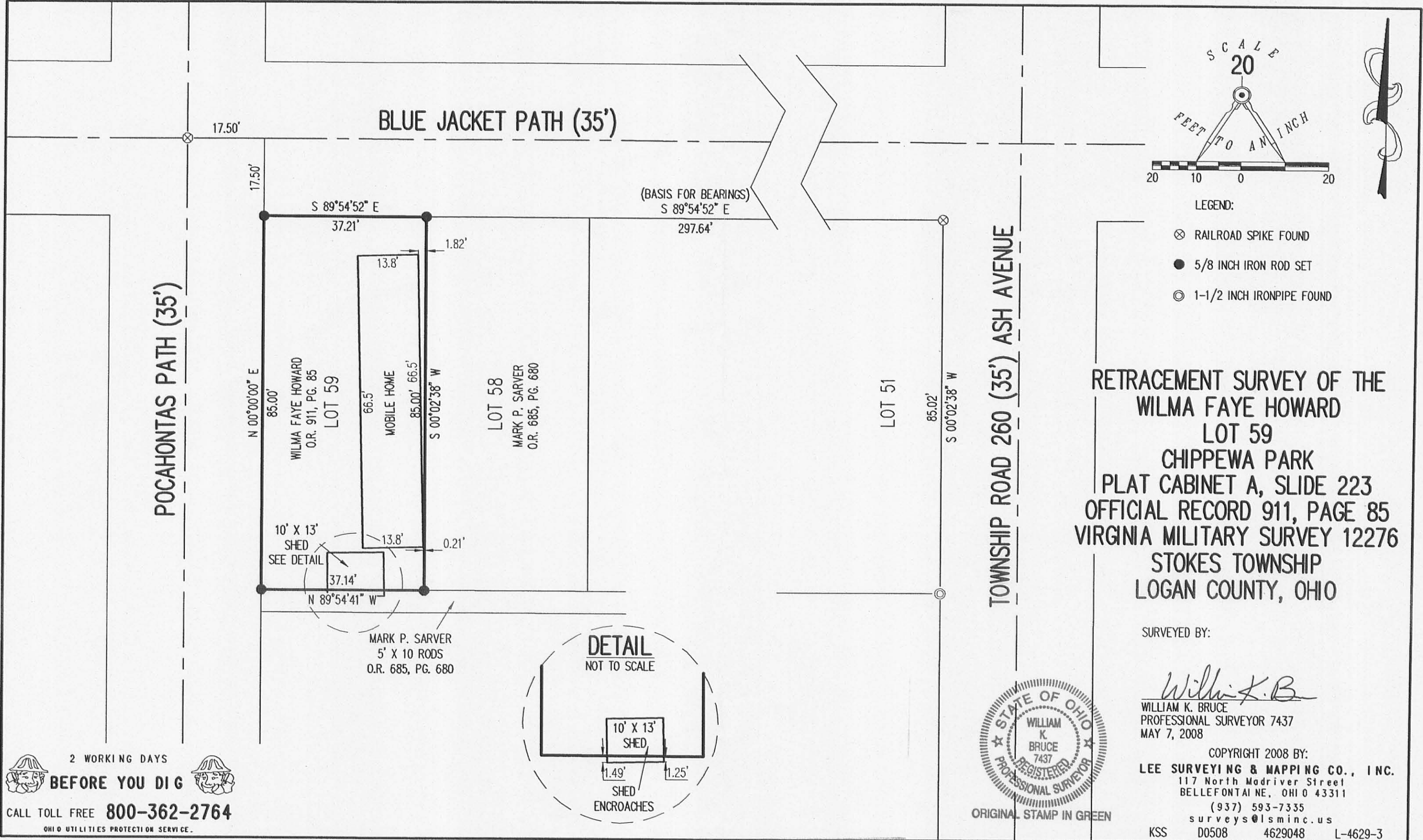
L-3344-3

INDEXED ON MAP

9399

IP

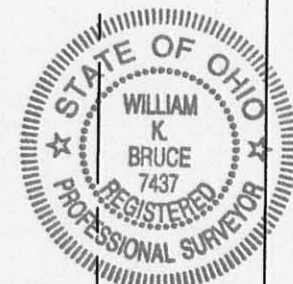
REC'D 5-13-08 SUM OW



RETRACEMENT SURVEY OF THE  
 WILMA FAYE HOWARD  
 LOT 59  
 CHIPPEWA PARK  
 PLAT CABINET A, SLIDE 223  
 OFFICIAL RECORD 911, PAGE 85  
 VIRGINIA MILITARY SURVEY 12276  
 STOKES TOWNSHIP  
 LOGAN COUNTY, OHIO

SURVEYED BY:

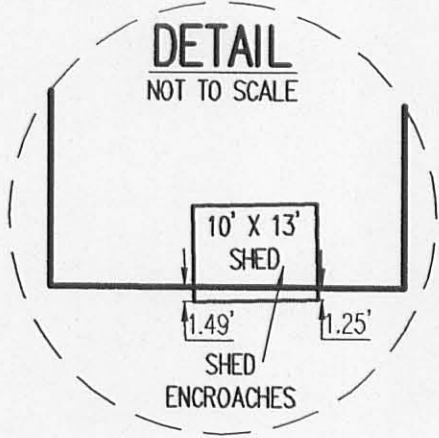
*William K. Bruce*  
 WILLIAM K. BRUCE  
 PROFESSIONAL SURVEYOR 7437  
 MAY 7, 2008



ORIGINAL STAMP IN GREEN

COPYRIGHT 2008 BY:  
 LEE SURVEYING & MAPPING CO., INC.  
 117 North Madriver Street  
 BELLEFONTAINE, OHIO 43311  
 (937) 593-7335  
 surveys@lsminc.us  
 KSS D0508 4629048 L-4629-3

2 WORKING DAYS  
 BEFORE YOU DIG  
 CALL TOLL FREE 800-362-2764  
 OHIO UTILITIES PROTECTION SERVICE.



INDEXED ON MAP  
 9399 2P