



Lee Surveying and Mapping Co.



Farm Surveys • Lot Surveys • Topography • Subdivisions • Construction Layout

143 EAST COLUMBUS AVENUE
BELLEFONTAINE, OHIO 43311

(513) 593-7335

JEFFREY I. LEE, P.S.

LUTHER KEENEN (1.332 ACRE)

Lying in Section 16, Town 4, Range 13, Union Township, Logan County, Ohio.

Being out of the Luther C. Keenen 168 acre tract as deeded and described in Volume 369, Page 584 of the Logan County Records of Deeds and being more particularly described as follows:

Beginning at a railroad spike set on the center-line of State Route 508 and being N 85°-12'-00" W, a distance of 649.41 feet from a railroad spike found at the northeast corner of said Section 16 and the intersection of center-lines of State Route 508 and County Highway 18.

THENCE, S 5°-13'-25" W, a distance of 244.88 feet to a 3/4 inch iron rod set.

THENCE, N 85°-12'-00" W, a distance of 236.09 feet to a 3/4 inch iron rod set.

THENCE, N 4°-48'-00" E, a distance of 244.87 feet to a railroad spike set on the center-line of State Route 508.

THENCE, with the center-line of State Route 508, S 85°-12'-00" E, a distance of 237.90 feet to the point of beginning.

Containing 1.332 acre of which 0.164 acre is within the highway right-of-way.

The basis for bearings is based upon the center-line of State Route 508 being S 85°-12'-00" E, and all other bearings are from angles and distances measured in a field survey by Lee Surveying and Mapping Company on July 5, 1991.

Description prepared by:

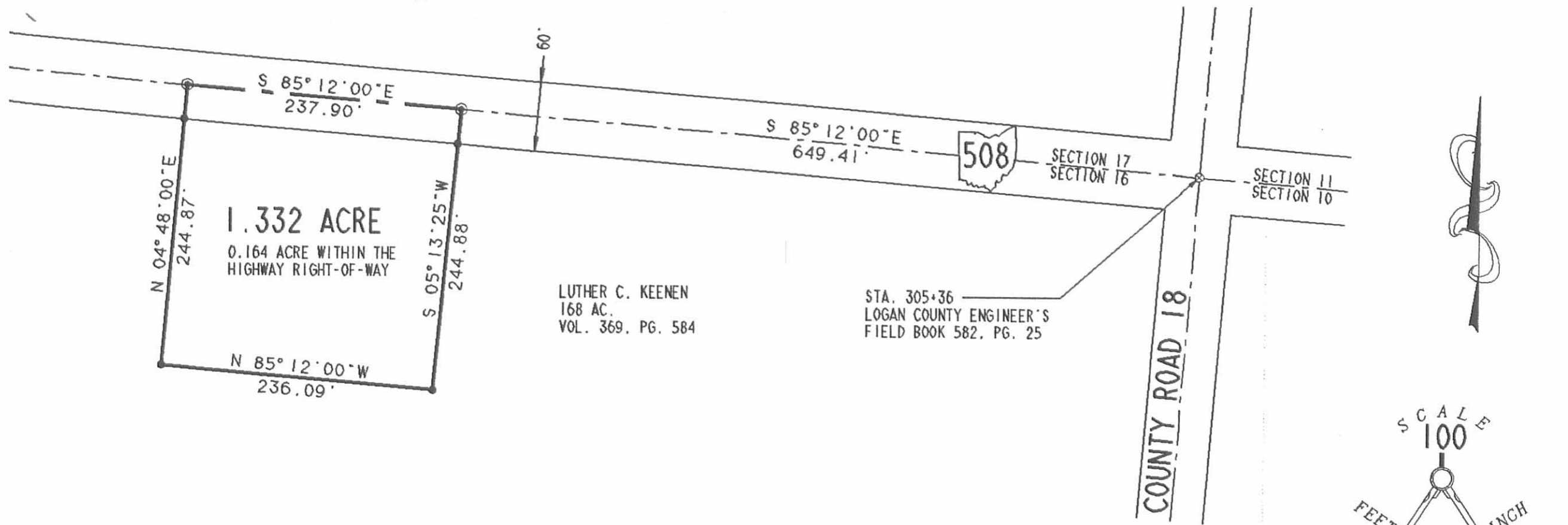


Jeffrey I. Lee
Jeffrey I. Lee
Professional Surveyor 6359
July 6, 1991

L 1379

ORIGINAL STAMP IN GREEN

INDEXED ON MAP
8142 1D



1.332 ACRE

0.164 ACRE WITHIN THE
HIGHWAY RIGHT-OF-WAY

LUTHER C. KEENEN
168 AC.
VOL. 369, PG. 584

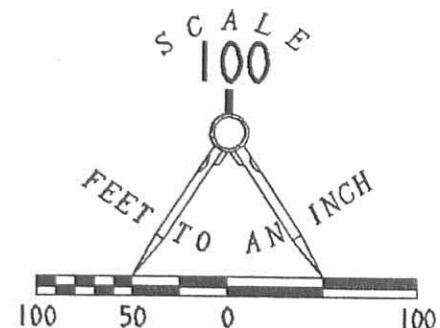
STA. 305+36
LOGAN COUNTY ENGINEER'S
FIELD BOOK 582, PG. 25

SURVEY OF 1.332 ACRE OUT OF THE
LUTHER C. KEENEN 168 ACRE TRACT
VOLUME 369. PAGE 584
SECTION 16. TOWN 4. RANGE 13
UNION TOWNSHIP
LOGAN COUNTY, OHIO

STATE OF OHIO
JEFFREY
T. LEE
6359
REGISTERED
SURVEYOR

SURVEYED BY:
Jeffrey T. Lee
JEFFREY T. LEE
PROFESSIONAL SURVEYOR 6359
JULY 5, 1991

ORIGINAL STAMP IN GREEN



LEGEND

- ⊗ RAILROAD SPIKE FOUND
- ⊙ RAILROAD SPIKE SET
- 3/4" I. ROD SET

INDEXED ON MAP
81421P

LEE SURVEYING & MAPPING CO.
143 East Columbus Avenue
BELLEFONTAINE, OHIO 43311
(513) 593-7335