

1500.0' ±

HIGHWAY R/W
CONCRETE MONUMENT

NOTE: REFERENCE POINTS NOT LOCATED
IN THIS S.E.V.L. (BLK OR TOP OVER CONCRETE)
285.0

S.H. 168

CHISELED CROSS
IN OLD CONCRETE PAVEMENT

N-82°-E

IRON PIN IN OLD
CONCRETE PAVEMENT

S.R. 33

HIGHWAY R/W CONCRETE
MONUMENT

482.0'

5.0

30.0

IRON BOLT

160.0

30.0

IRON BOLT

5.0' ACQUIRED BY STATE OF OHIO
FOR HIGHWAY R/W

88°-55'

BERNARD SWEENEY

DUNNS FOND ALLOTMENT
LOTS 37-38-39-40-41-42-43-44

S-6°-55'-E
155.0

15.0

155.0

IRON BOLT

160.0'

2" IRON PIPE
SET IN CONCRETE

IRON PIPE ON PROP.
AS SHOWN

1/2" IRON PIPE FOUND

285.0'

1/2" IRON PIPE FOUND

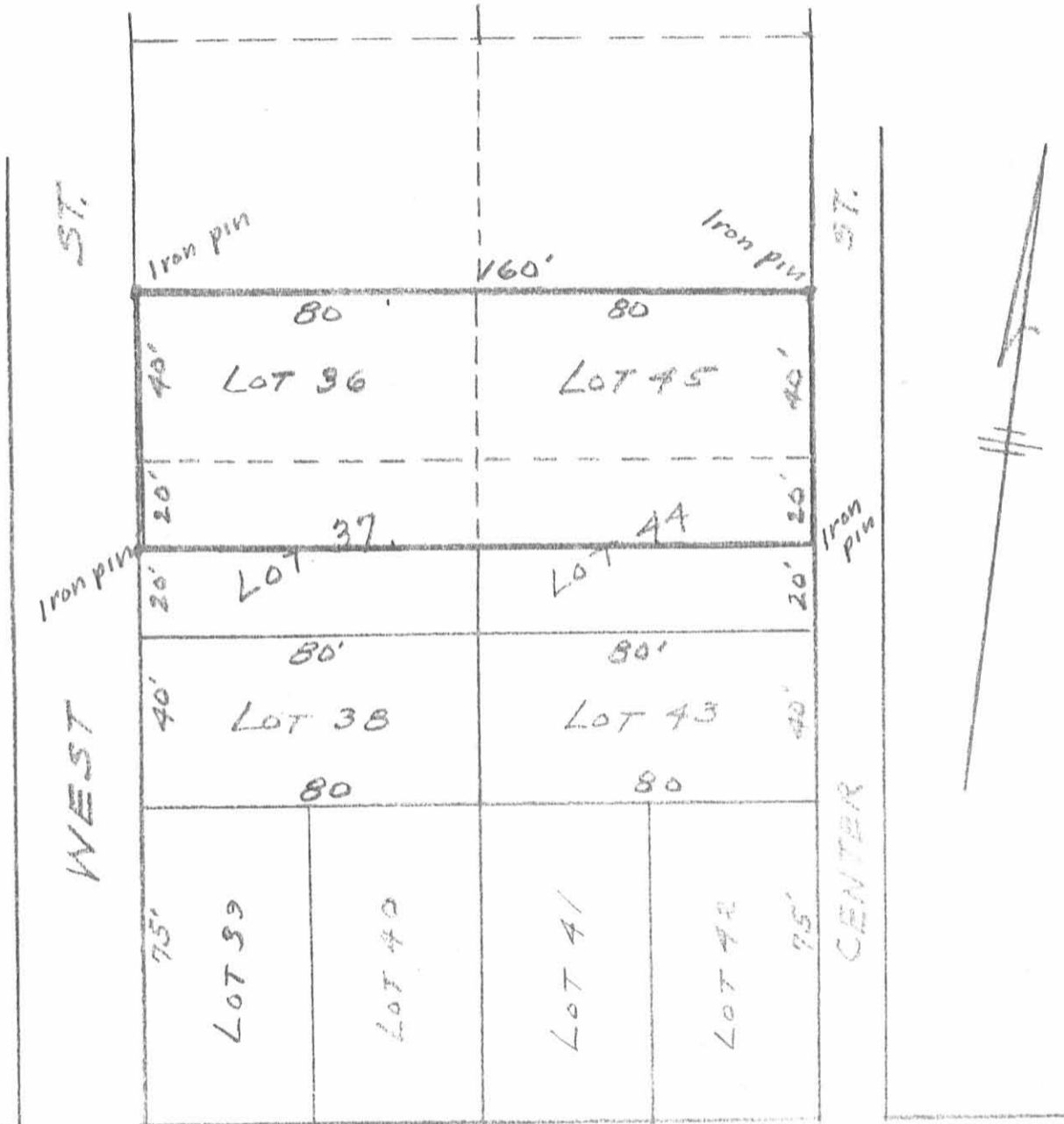
NORTH STREET

HOBART H. LEWIS
C.E. 2662
FEBRUARY 10, 1949.

1996 IP

PROPERTY SURVEY
FOR
Wilbur H, Nichols, etux.
Center Street

Being all of Lots numbered 36 and 45 and 20 feet off of the north side of lots numbered 37 and 44, as said lots are numbered and designated on the plat of Dunn's Pond Allotment, said plat is recorded in Plat Book 2 (Vol. B) page 78 of the Plat Records of Logan County, Ohio.



STATE ROUTE 366

Scale:- 1" = 40'

1996 2P

INDEXED ON MAP

Harold E. Lorton
Registered Surveyor 2913
4911 Tulane Road
Springfield, Ohio 45503

May, 1976

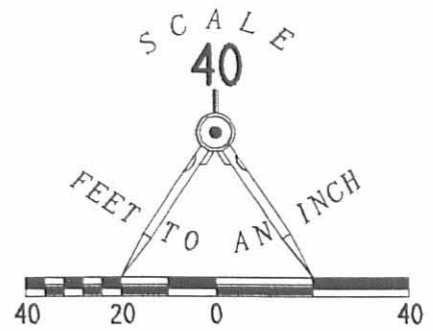
REC'D 11-18-96 SWJ

WEST STREET (30')

CENTER STREET (15')



- PK WITH SHINER FOUND
- 1-1/4" METAL PIPE FOUND
- ⊕ CONCRETE RIGHT-OF-WAY MONUMENT FOUND
- ⊗ RAILROAD SPIKE FOUND
- 3/4" IRON BAR FOUND
- 5/8" I. ROD FOUND
- 5/8" I. ROD SET
- 1" METAL PIPE FOUND



2 WORKING DAYS
BEFORE YOU DIG
 CALL TOLL FREE **800-362-2764**
 OHIO UTILITIES PROTECTION SERVICE.

**RETRACEMENT SURVEY OF
 LOTS 36 AND 45, AND
 PART OF LOTS 37 AND 44
 DUNN'S POND ALLOTMENT
 PLAT CABINET A, SLIDE 181
 WASHINGTON TOWNSHIP
 LOGAN COUNTY, OHIO**

366

INDEXED ON MAP
1996 3P

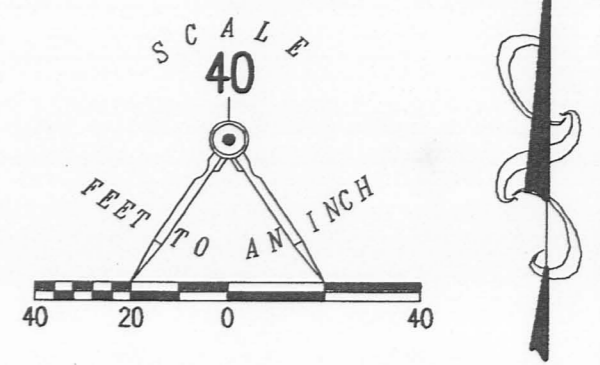
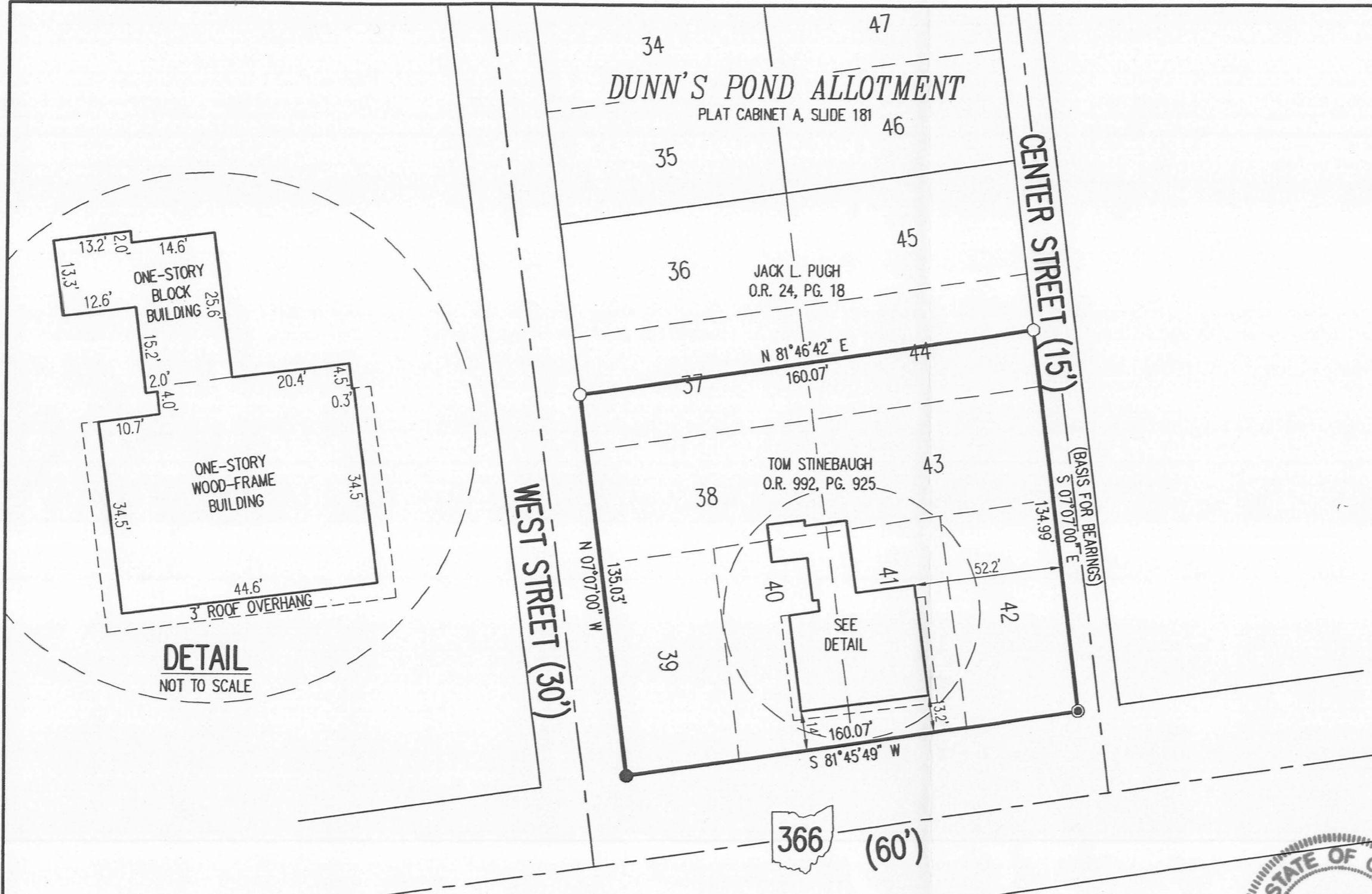


SURVEYED BY:

Jeffrey I. Lee
 JEFFREY I. LEE
 PROFESSIONAL SURVEYOR 6359
 NOVEMBER 11, 1996

COPYRIGHT 1996 BY:
LEE SURVEYING & MAPPING CO., INC.
 117 North Madriver Street
 BELLEFONTAINE, OHIO 43311
 (937) 593-7335

REC'D 6-23-10 SMY OK



- LEGEND:
- MAG NAIL SET OVER 3/4 INCH IRON BAR FOUND
 - 5/8 INCH IRON ROD FOUND
 - 5/8 INCH IRON ROD SET WITH PLASTIC I.D. CAP STAMPED "LSM 7437"

RETRACEMENT SURVEY OF THE
 TOM STINEBAUGH
 LOTS 38, 39, 40, 41, 42, 43
 AND PARTS OF LOTS 37 AND 44
 DUNN'S POND ALLOTMENT
 PLAT CABINET A, SLIDE 181
 OFFICIAL RECORD 992, PAGE 925
 WASHINGTON TOWNSHIP
 LOGAN COUNTY, OHIO

SURVEYED BY:
William K. Bruce
 WILLIAM K. BRUCE
 PROFESSIONAL SURVEYOR 7437
 JUNE 22, 2010



ORIGINAL STAMP IN GREEN

COPYRIGHT 2010 BY:
 LEE SURVEYING & MAPPING CO., INC.
 117 North Madriver Street
 BELLEFONTAINE, OHIO 43311
 (937) 593-7335
 surveys@lsminc.us
 KSS D0610 4987610 L-4987-3

2 WORKING DAYS
BEFORE YOU DIG
 CALL TOLL FREE **800-362-2764**
 OHIO UTILITIES PROTECTION SERVICE

INDEXED ON MAP
 1996 4P