

Received 9-28-90 OK 16-1-90



Lee Surveying and Mapping Co.



Farm Surveys • Lot Surveys • Topography • Subdivisions • Construction Layout

143 EAST COLUMBUS AVENUE
BELLEFONTAINE, OHIO 43311

(513) 593-7335
(513) 593-5780

CLAYTON M. LEE, P.S.
JEFFREY I. LEE, P.S.

DONALD L. BAKER 5.515 ACRE TRACT

Lying in the Nancy Stewart Section, Washington Township, Logan County, Ohio.

Being out of the Donald L. Baker 30.75 acre tract (27.270 acres per this survey) as deeded and described in Volume 308, Page 58 of the Logan County Records of Deeds and being more particularly described as follows:

Beginning at a railroad spike set on the center-line of State Route 235, S 17°-07'-00" E, a distance of 543.64 feet from a railroad spike found on the center-line of State Route 235 at the north line of the Nancy Stewart Section.

THENCE, with the center-line of State Route 235, S 17°-07'-00" E, a distance of 272.34 feet to a railroad spike set.

THENCE, S 88°-30'-46" W, a distance of 922.95 feet to a 5/8 inch iron rod set.

THENCE, with the east line of the Paul Neff 69.68 acre tract (Vol. 176, Pg. 255), N 14°-14'-50" W, a distance of 268.92 feet to a 5/8 inch iron rod set.

THENCE, N 88°-30'-46" E, a distance of 908.97 feet to the point of beginning.

Containing 5.515 acres of which 0.403 acre is within the road right-of-way.

The basis for bearings is based upon the center-line of State Route 235 being S 17°-07'-00" E, and all other bearings are from angles and distances measured in a field survey performed on September 27, 1990, by Lee Surveying and Mapping Company.

Description prepared by:

Jeffrey I. Lee
Professional Surveyor 6359
September 28, 1990



ORIGINAL STAMP IN GREEN

INDEXED ON MAP
8078 1D-1



Lee Surveying and Mapping Co.



Farm Surveys • Lot Surveys • Topography • Subdivisions • Construction Layout

143 EAST COLUMBUS AVENUE
BELLEFONTAINE, OHIO 43311

(513) 593-7335
(513) 593-5780

CLAYTON M. LEE, P.S.
JEFFREY I. LEE, P.S.

DONALD L. BAKER 5.500 ACRE TRACT

Lying in the Nancy Stewart Section, Washington Township, Logan County, Ohio.

Being out of the Donald L. Baker 30.75 acre tract (27.270 acres per this survey) as deeded and described in Volume 308, Page 58 of the Logan County Records of Deeds and being more particularly described as follows:

Beginning at a railroad spike set on the center-line of State Route 235, S 17°-07'-00" E, a distance of 1084.02 feet from a railroad spike found on the center-line of State Route 235 at the north line of the Nancy Stewart Section.

THENCE, with the center-line of State Route 235, S 17°-07'-00" E, a distance of 263.68 feet to a railroad spike found.

THENCE, S 88°-30'-46" W, with the north line of the A. Smith 50.00 acre tract (Vol. 332, Pg. 808, Tr.1), a distance of 950.25 feet to a 5/8 inch iron rod set.

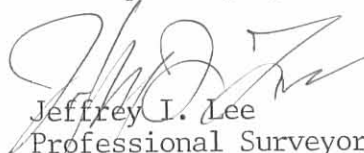
THENCE, with the east line of the Paul Neff 69.68 acre tract (Vol. 176, Pg. 255), N 14°-14'-50" W, a distance of 260.36 feet to a 5/8 inch iron rod set.

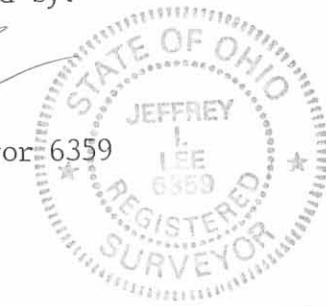
THENCE, N 88°-30'-46" E, a distance of 936.71 feet to the point of beginning.

Containing 5.500 acres of which 0.473 acre is within the road right-of-way.

The basis for bearings is based upon the center-line of State Route 235 being S 17°-07'-00" E, and all other bearings are from angles and distances measured in a field survey performed on September 27, 1990, by Lee Surveying and Mapping Company.

Description prepared by:


Jeffrey I. Lee
Professional Surveyor 6359
September 28, 1990



ORIGINAL STAMP IN GREEN

INDEXED ON MAP
8078 1D-2



Lee Surveying and Mapping Co.



Farm Surveys • Lot Surveys • Topography • Subdivisions • Construction Layout

143 EAST COLUMBUS AVENUE
BELLEFONTAINE, OHIO 43311

(513) 593-7335
(513) 593-5780

CLAYTON M. LEE, P.S.
JEFFREY I. LEE, P.S.

DONALD L. BAKER 5.517 ACRE TRACT

Lying in the Nancy Stewart Section, Washington Township, Logan County, Ohio.

Being out of the Donald L. Baker 30.75 acre tract (27.270 acres per this survey) as deeded and described in Volume 308, Page 58 of the Logan County Records of Deeds and being more particularly described as follows:

Beginning at a railroad spike set on the center-line of State Route 235, S 17°-07'-00" E, a distance of 266.94 feet from a railroad spike found on the center-line of State Route 235 at the north line of the Nancy Stewart Section.

THENCE, with the center-line of State Route 235, S 17°-07'-00" E, a distance of 276.70 feet to a railroad spike set.

THENCE, S 88°-30'-46" W, a distance of 908.97 feet to a 5/8 inch iron rod set.

THENCE, with the east line of the Paul Neff 69.68 acre tract (Vol. 176, Pg. 255), N 14°-14'-50" W, a distance of 273.22 feet to a 5/8 inch iron rod set.

THENCE, N 88°-30'-46" E, a distance of 894.77 feet to the point of beginning.

Containing 5.517 acres of which 0.405 acre is within the road right-of-way.

The basis for bearings is based upon the center-line of State Route 235 being S 17°-07'-00" E, and all other bearings are from angles and distances measured in a field survey performed on September 27, 1990, by Lee Surveying and Mapping Company.

Description prepared by:

Jeffrey I. Lee
Professional Surveyor 6359
September 28, 1990



ORIGINAL STAMP IN GREEN

INDEXED ON MAP
8078 1D-3

Received 9-28-90

OK 10-1-90



Lee Surveying and Mapping Co.



Farm Surveys • Lot Surveys • Topography • Subdivisions • Construction Layout

143 EAST COLUMBUS AVENUE
BELLEFONTAINE, OHIO 43311

(513) 593-7335
(513) 593-5780

CLAYTON M. LEE, P.S.
JEFFREY I. LEE, P.S.

DONALD L. BAKER 5.228 ACRE TRACT

Lying in the Nancy Stewart Section, Washington Township, Logan County, Ohio.

Being out of the Donald L. Baker 30.75 acre tract (27.270 acres per this survey) as deeded and described in Volume 308, Page 58 of the Logan County Records of Deeds and being more particularly described as follows:

Beginning at a railroad spike found on the center-line of State Route 235 at the north line of the Nancy Stewart Section.

THENCE, with the center-line of State Route 235, S 17°-07'-00" E, a distance of 266.94 feet to a railroad spike set.

THENCE, S 88°-30'-46" W, a distance of 894.77 feet to a 5/8 inch iron rod set.

THENCE, with the east line of the Paul Neff 69.68 acre tract (Vol. 176, Pg.255), N 14°-14'-50" W, a distance of 262.37 feet to a 5/8 inch iron rod set.

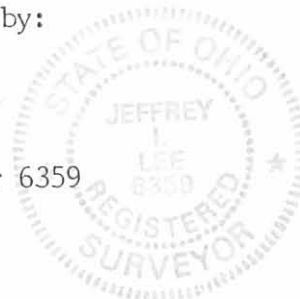
THENCE, with the north line of the Nancy Stewart Section, N 88°-26'-10" E, a distance of 880.80 feet to the point of beginning.

Containing 5.228 acres of which 0.386 acre is within the road right-of-way.

The basis for bearings is based upon the center-line of State Route 235 being S 17°-07'-00" E, and all other bearings are from angles and distances measured in a field survey performed on September 27, 1990, by Lee Surveying and Mapping Company.

Description prepared by:

Jeffrey I. Lee
Professional Surveyor 6359
September 28, 1990



ORIGINAL STAMP IN GREEN

INDEXED ON MAP
8078 1D-4



Lee Surveying and Mapping Co.



Farm Surveys • Lot Surveys • Topography • Subdivisions • Construction Layout

143 EAST COLUMBUS AVENUE
BELLEFONTAINE, OHIO 43311

(513) 593-7335
(513) 593-5780

CLAYTON M. LEE, P.S.
JEFFREY I. LEE, P.S.

DONALD L. BAKER 5.510 ACRE TRACT

Lying in the Nancy Stewart Section, Washington Township, Logan County, Ohio.

Being out of the Donald L. Baker 30.75 acre tract (27.270 acres per this survey) as deeded and described in Volume 308, Page 58 of the Logan County Records of Deeds and being more particularly described as follows:

Beginning at a railroad spike set on the center-line of State Route 235, S 17°-07'-00" E, a distance of 815.98 feet from a railroad spike found on the center-line of State Route 235 at the north line of the Nancy Stewart Section.

THENCE, with the center-line of State Route 235, S 17°-07'-00" E, a distance of 268.04 feet to a railroad spike set.

THENCE, S 88°-30'-46" W, a distance of 936.71 feet to a 5/8 inch iron rod set.

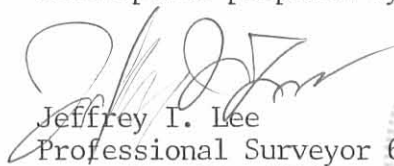
THENCE, with the east line of the Paul Neff 69.68 acre tract (Vol. 176, Pg. 255), N 14°-14'-50" W, a distance of 264.66 feet to a 5/8 inch iron rod set.

THENCE, N 88°-30'-46" E, a distance of 922.95 feet to the point of beginning.

Containing 5.510 acres of which 0.435 acre is within the road right-of-way.

The basis for bearings is based upon the center-line of State Route 235 being S 17°-07'-00" E, and all other bearings are from angles and distances measured in a field survey performed on September 27, 1990, by Lee Surveying and Mapping Company.

Description prepared by:


Jeffrey I. Lee

Professional Surveyor 6359
September 28, 1990



ORIGINAL TO BE IN GREEN

INDEXED ON MAP
8578 1D-5



SEC. 26, T-7, R-8

NANCY STEWART SECTION

5.228 ACRES
0.366 ACRE IN ROAD RIGHT-OF-WAY

5.517 ACRES
0.405 ACRE IN ROAD RIGHT-OF-WAY

5.515 ACRES
0.403 ACRE IN ROAD RIGHT-OF-WAY

5.510 ACRES
0.435 ACRE IN ROAD RIGHT-OF-WAY

5.500 ACRES
0.473 ACRE IN ROAD RIGHT-OF-WAY

235

NOTE: THIS POINT FOUND ON TANGENT TO SPIRAL.

NANCY STEWART SECTION

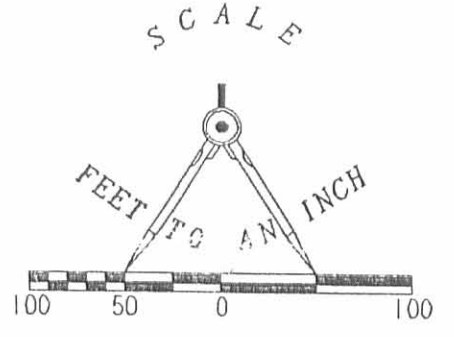
650+46.3 T.S.

644+00

235

669+00 OLD STATIONING

SURVEY OF FIVE TRACTS OUT OF THE
DONALD L. BAKER LANDS
30.75 ACRES PER LOGAN COUNTY TAX MAP
27.270 ACRES PER THIS SURVEY
VOLUME 308, PAGE 58
NANCY STEWART SECTION
VOLUME D, PAGE 227
WASHINGTON TOWNSHIP
LOGAN COUNTY, OHIO



LEGEND

- ⊕ RIGHT-OF-WAY MONUMENT FOUND
- ⊙ RAILROAD SPIKE FOUND
- 4" PIPE POST FOUND
- 5/8" I. ROD FOUND
- ⊙ RAILROAD SPIKE SET
- 5/8" I. ROD SET

REFERENCE:
O. D. O. T. PLANS LOG-69-10.39
DATED 1957

NOTE:
NEW CENTER-LINE USED FOR PROPERTY LINE
TO MATCH EXISTING PARCELS EAST OF THE
HIGHWAY.

PAUL KNIEF
69.68 AC.
VOL. 176, PG. 255

AUSTIN SMITH
50.00 AC.
VOL. 332, PG. 808, TRACT 1

SURVEYED BY:
Jeffrey L. Lee
JEFFREY L. LEE
PROFESSIONAL SURVEYOR 6359
SEPTEMBER 28, 1990



ORIGINAL STAMP IN GREEN

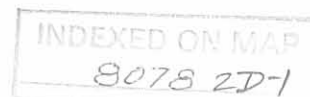
LEE SURVEYING & MAPPING CO.
143 East Columbus Avenue
BELLEFONTAINE, OHIO 43311
(513) 593-7336

INDEXED ON MAP
8078 1P

Received 12-22-93

OK (C.R.)

LESLIE H. GEESLIN
REGISTERED SURVEYOR NO. 5248
P.O. BOX 274
RUSHSVLVANIA, OHIO 43347
TELEPHONE: (513) 468-2793



KNIEF SURVEY

December 23, 1993

The following described real estate situated in the State of Ohio, County of Logan, Township of Washington being part of the Nancy Stewart Section and Section 22, 23, 26, and 27, Town 7 S., Range 8 E., and more particularly described as follows:

Beginning at a R. R. spike found in the centerline of State Route 235 and the north line of said Nancy Stewart Section at the northeast corner of Terry Brown's 5.228 acre tract as described in O. R. Vol. 172 Page 114.

Thence with said Brown's north line and the north line of said Nancy Stewart Section S. 88° 26' 20" W. 880.76 feet to a 5/8 inch iron bar found.

Thence with said Brown's west line, the west line of Carl Parson's 5.517 acre tract as described in O. R. Vol. 205 Page 682, Donald Baker's 19 acre tract as described in D. B. Vol. 308 Page 58, Tim Schmerge's 5.510 acre tract as described in O. R. Vol. 116 Page 67 and Daniel Rode's 5.500 acre tract as described in O. R. Vol. 182 Page 553 S. 14° 14' 50" E. 1329.98 feet to a 5/8 inch iron bar found in the north line of Austin Smith's 50 acre tract as described in D. B. Vol. 332 Page 808.

Thence with said Smith's north line and the north line of Larry Godwin's 152 acre tract as described in O. R. Vol. 55 Page 139 S. 88° 31' 37" W. 2425.50 feet to a 5/8 inch iron bar set.

Thence N. 17° 33' 25" E. 160.82 feet to a 5/8 inch iron bar set.

Thence N. 19° 48' 40" W. 76.56 feet to a 5/8 inch iron bar set.

Thence N. 31° 48' 40" W. 170.28 feet to a 5/8 inch iron bar set.

Thence N. 26° 48' 40" W. 410.52 feet to a 5/8 inch iron bar set.

Thence N. 30° 41' 20" E. 330.00 feet to a 5/8 inch iron bar set.

Thence N. 19° 48' 40" W. 254.76 feet to a 5/8 inch iron bar set.

Thence N. 11° 04' 49" E. 173.57 feet to a 5/8 inch iron bar set.

Thence N. 88° 15' 11" W. 120.92 feet to a point in the centerline of the Great Miami River and the east line of Ferrell Knief's 16 acre tract as described in O. R. Vol. 121 Page 493.

Thence with said river and east line N. 17° 48' 51" E. 316.28 feet to a point in the south line of said Farrell Knief's 70.50 acre tract as described in D. B. Vol. 353 Page 197.

Thence with the south line of said 70.50 acre tract S. 88° 15' 11" E. 33.39 feet to a 5/8 inch iron bar set in the west line of Lelah May's 33 acre tract as described in D. B. Vol. 333 Page 605.

Thence with said May's west line S. 1° 44' 49" W. 218.13 feet to a 5/8 inch iron bar set.

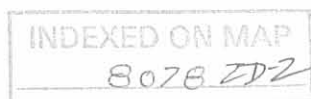
Thence with said May's south line N. 87° 59' 49" E. 3037.98 feet to a cap and nail set in the centerline of said State Route 235.

Thence with the centerline of said S.R. 235 S. 17° 07' 00" E. 258.20 feet to the place of beginning.

Containing 87.800 acres more or less of which 0.374 acre is in the right-of-way of State Route 235.

The above described 87.800 acre tract being all of John Knief's 69.68 acre tract, his 17.32 acre tract and his 1 acre tract as described in O. R. Vol. 158 Page 944 and having 69.691 acres in the Nancy Stewart Section, 3.702 acres in Section 22, 8.377 acres in Section 23, 2.030 acres in Section 26, and 4.000 acres in Section 27,

Bearings are based on an assumed bearing (S. 14° 14' 50" E.) for the west line of Terry Brown's 5.228 acre tract as described in O. R. Vol. 172 Page 114 in this field survey by Leslie H. Geeslin, Reg. Surveyor 5248 on December 23, 1993.



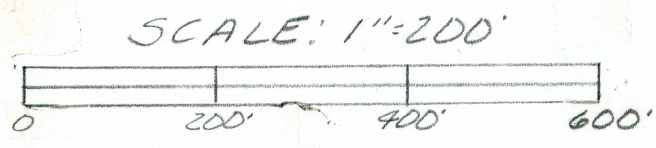
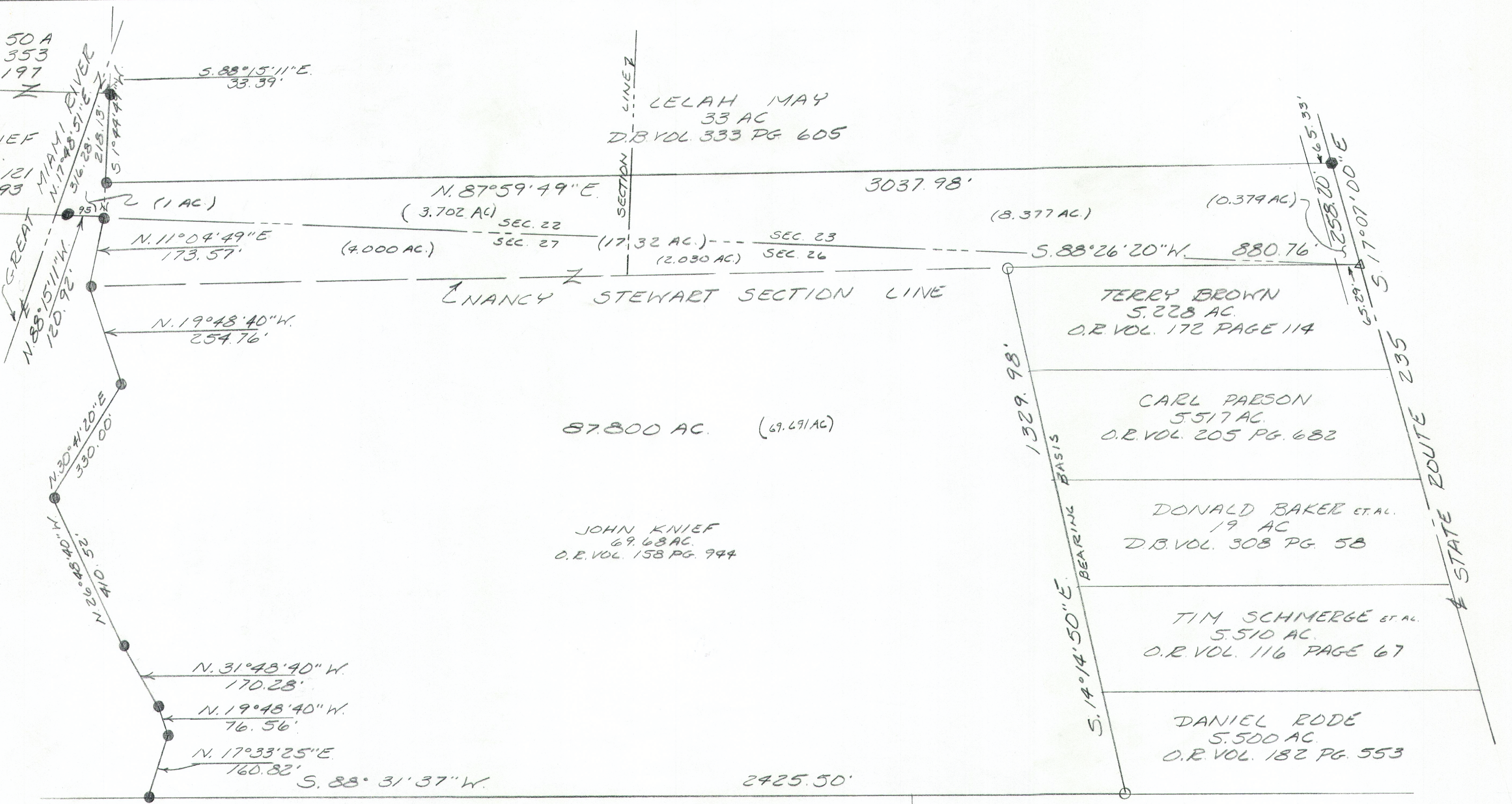
Leslie H. Geeslin

70.50 A
D.B. VOL. 353
PAGE 197

FARRELL
KNIEF
16 AC.
O.R. VOL. 121
PAGE 493

LELAH MAY
33 AC
D.B. VOL. 333 PG. 605

THIS SURVEYOR WAS UNABLE TO DETERMINE ACRESAGE & OWNERSHIP OF THIS PROPERTY.



- LEGEND:**
- Δ = R.R. SPIKE FOUND
 - = 5/8 INCH IRON BAR FOUND
 - = 5/8 INCH IRON BAR SET
 - ⦿ = CAP #10 NAIL SET

SURVEY # 87.800 ACRE TRACT
 IN SECTIONS 22, 23, 26, 27, T.75, R.8E, NANCY STEWART SECTION, WASHINGTON TOWNSHIP, LOGAN COUNTY, OHIO FOR JOHN KNIEF IN DECEMBER 23, 1993



INDEXED ON MAP
8078

Leslie H. Geeslin
LESLIE H. GEESLIN
RUSHSVANVA, O
(513) 468-2793

RECEIVED 9-12-94 SMJ OK ✓



Lee Surveying and Mapping Co.



Farm Surveys • Lot Surveys • Topography • Subdivisions • Construction Layout

143 EAST COLUMBUS AVENUE
BELLEFONTAINE, OHIO 43311

(513) 593-7335

JEFFREY I. LEE, P.S.

DARTHEA H. BROWN NORTH TRACT 2.747 ACRES

Lying in the Nancy Stewart Section, Washington Township, Logan County, Ohio.

Being out of the Darthea H. Brown 5.515 acre tract as deeded and described in Official Record 230, Page 214 of the Logan County Records of Deeds and being more particularly described as follows:

Beginning at a railroad spike set on the center-line of State Route 235, S 17°-07'-00" E, a distance of 543.64 feet from a railroad spike found on the center-line of State Route 235 at the north line of the Nancy Stewart Section.

THENCE, with the center-line of State Route 235, S 17°-07'-00" E, a distance of 136.17 feet to a railroad spike set.

THENCE, S 88°-30'-46" W, a distance of 915.96 feet to a 5/8 inch iron rod set.

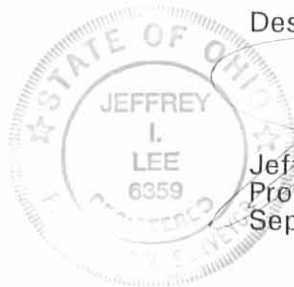
THENCE, with the east line of the Joyce I. Huffer 69.691 acre tract (O.R. 214, Pg. 237), N 14°-14'-50" W, a distance of 134.46 feet to a 5/8 inch iron rod set.

THENCE, with the south line of the Carl Parson 5.517 acre tract (O.R. 205, Pg. 682), N 88°-30'-46' E, a distance of 908.97 feet to the point of beginning.

Containing 2.747 acres of which 0.201 acre is within the highway rights-of-way.

The basis for bearings is based upon the center-line of State Route 235 being S 17°-07'-00" E, and all other bearings are from angles and distances measured in field surveys by Lee Surveying and Mapping Company on September 27, 1990 and September 2, 1994.

Description prepared by:



Jeffrey I. Lee
Professional Surveyor 6359
September 9, 1994

L 756

ORIGINAL STAMP IN GREEN

INDEXED ON MAP
8078 3D

RECEIVED 9-12-94 SMM OK

SEC. 26, T-7, R-8

N 88° 26' 10" E

NANCY STEWART SECTION

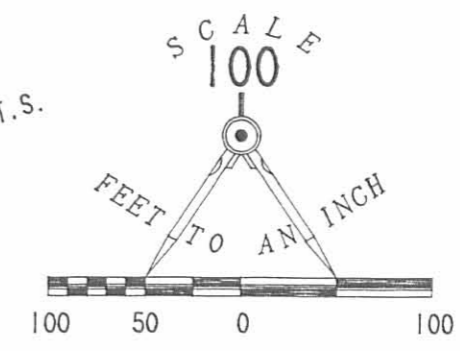
NANCY STEWART SECTION

NOTE: THIS POINT FOUND ON TANGENT TO SPIRAL.

- LEGEND
- ⊕ RIGHT-OF-WAY MONUMENT FOUND
 - ⊗ RAILROAD SPIKE FOUND
 - 4" PIPE POST FOUND
 - 5/8" I. ROD FOUND
 - ⊕ RAILROAD SPIKE SET
 - 5/8" I. ROD SET

REFERENCE:
 O.D.O.T. PLANS LOG-69-10.39
 DATED 1957

NOTE:
 NEW CENTER-LINE USED FOR PROPERTY LINE TO MATCH EXISTING PARCELS EAST OF THE HIGHWAY.



CARL PARSON
 5.517 AC.
 O.R. 205. PG. 682

2.747 ACRES

0.201 ACRE IN ROAD RIGHT-OF-WAY

2.747 ACRES

0.201 ACRE IN ROAD RIGHT-OF-WAY

TIMOTHY J. SCHMERGE
 5.510 AC.
 O.R. 116. PG. 67

INDEXED ON MAP
 8078 3P

SURVEY OF TWO TRACTS OUT OF THE
 DARTHEA H. BROWN 5.515 ACRES
 OFFICIAL RECORD 230. PAGE 214
 NANCY STEWART SECTION
 VOLUME D, PAGE 227
 WASHINGTON TOWNSHIP
 LOGAN COUNTY, OHIO



SURVEYED BY:
[Signature]
 JEFFREY L. LEE
 PROFESSIONAL SURVEYOR 6359
 SEPTEMBER 2, 1994

LEE SURVEYING & MAPPING CO.
 143 East Columbus Avenue
 BELLEFONTAINE, OHIO 43311
 (513) 593-7335

D 243 DBAKER L 756-3

N 14° 14' 50" W
262.37'

N 14° 14' 50" W
273.22'

JOYCE I. HUFFER
 69.691 AC.
 O.R. 214. PG. 237

N 14° 14' 50" W
134.46'

134.46'

N 88° 30' 46" E
908.97'

N 88° 30' -46" E
915.96'

S 88° 30' 46" W
922.95'

S 17° 07' 00" E
266.94'

235

S 17° 07' 00" E
276.70'

66.59'

136.17'

66.98'

S 17° 07' 00" E
136.17'

67.37'

650+46.3 T.S.

644+00

RECEIVED 9-12-94 SAM OK ✓



Lee Surveying and Mapping Co.



Farm Surveys • Lot Surveys • Topography • Subdivisions • Construction Layout

143 EAST COLUMBUS AVENUE
BELLEFONTAINE, OHIO 43311

(513) 593-7335

JEFFREY I. LEE, P.S.

DARTHEA H. BROWN SOUTH TRACT 2.747 ACRES

Lying in the Nancy Stewart Section, Washington Township, Logan County, Ohio.

Being out of the Darthea H. Brown 5.515 acre tract as deeded and described in Official Record 230, Page 214 of the Logan County Records of Deeds and being more particularly described as follows:

Beginning at a railroad spike set on the center-line of State Route 235, S 17°-07'-00" E, a distance of 679.81 feet from a railroad spike found on the center-line of State Route 235 at the north line of the Nancy Stewart Section.

THENCE, with the center-line of State Route 235, S 17°-07'-00" E, a distance of 136.17 feet to a railroad spike set.

THENCE, with the north line of the Timothy J. Schmerge 5.510 acre tract (O.R. 116, Pg. 67), S 88°-30'-46" W, a distance of 922.95 feet to a 5/8 inch iron rod set.

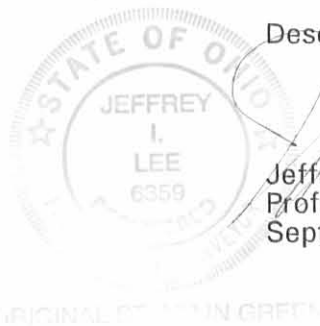
THENCE, with the east line of the Joyce I. Huffer 69.691 acre tract (O.R. 214, Pg. 237), N 14°-14'-50" W, a distance of 134.46 feet to a 5/8 inch iron rod set.

THENCE, N 88°-30'-46' E, a distance of 915.96 feet to the point of beginning.

Containing 2.747 acres of which 0.201 acre is within the highway rights-of-way.

The basis for bearings is based upon the center-line of State Route 235 being S 17°-07'-00" E, and all other bearings are from angles and distances measured in field surveys by Lee Surveying and Mapping Company on September 27, 1990 and September 2, 1994.

Description prepared by:



Jeffrey I. Lee
Professional Surveyor 6359
September 9, 1994

L 756

INDEXED ON MAP
2070 40

RECEIVED 9-12-94 OC SUR
SEC. 26, T-7, R-8

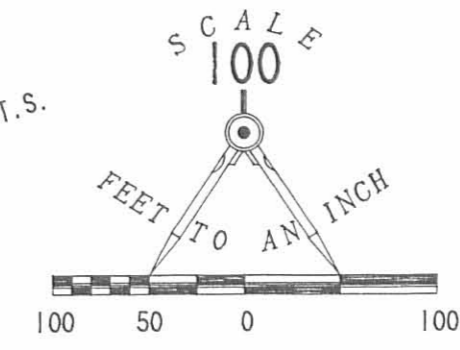
N 88° 26' 10" E

NANCY STEWART SECTION

NANCY STEWART SECTION

NOTE: THIS POINT FOUND ON TANGENT TO SPIRAL.

- LEGEND
- ⊕ RIGHT-OF-WAY MONUMENT FOUND
 - ⊗ RAILROAD SPIKE FOUND
 - 4" PIPE POST FOUND
 - 5/8" I. ROD FOUND
 - ⊙ RAILROAD SPIKE SET
 - 5/8" I. ROD SET



REFERENCE:
O.D.O.T. PLANS L06-69-10.39
DATED 1957

NOTE:
NEW CENTER-LINE USED FOR PROPERTY LINE TO MATCH EXISTING PARCELS EAST OF THE HIGHWAY.

N 14° 14' 50" W
262.37'

S 17° 07' 00" E
266.94'

650+46.3 T.S.

235

S 17° 07' 00" E
276.70'

N 14° 14' 50" W
273.22'

CARL PARSON
5.517 AC.
O.R. 205. PG. 682

N 88° 30' 46" E
908.97'

2.747 ACRES

0.201 ACRE IN ROAD RIGHT-OF-WAY

N 88° 30' -46" E
915.96'

2.747 ACRES

0.201 ACRE IN ROAD RIGHT-OF-WAY

S 88° 30' 46" W
922.95'

TIMOTHY J. SCHMERGE
5.510 AC.
O.R. 116. PG. 67

INDEXED ON MAP
2078 4P

SURVEY OF TWO TRACTS OUT OF THE
DARTHEA H. BROWN 5.515 ACRES
OFFICIAL RECORD 230. PAGE 214
NANCY STEWART SECTION
VOLUME D, PAGE 227
WASHINGTON TOWNSHIP
LOGAN COUNTY, OHIO

JOYCE I. HUFFER
69.691 AC.
O.R. 214. PG. 237

SURVEYED BY:

JEFFREY I. LEE
PROFESSIONAL SURVEYOR 6359
SEPTEMBER 2, 1994

STATE OF OHIO
JEFFREY I. LEE
6359

LEE SURVEYING & MAPPING CO.
143 East Columbus Avenue
BELLEFONTAINE, OHIO 43311
(513) 593-7335

REC'D SMY OK ✓

LESLIE H. GEESLIN

REGISTERED SURVEYOR 5248

P. O. BOX 274

RUSHSVLVANIA, OHIO 43347

TELEPHONE: (937) 468-2793

FAX: (937) 468-2080

BROWN BRAZIER SURVEY

April 6, 1999

The following described ingress-egress easement situated in the State of Ohio, County of Logan, Township of Washington, being part of the Nancy Stewart Section and more particularly described as follows:

Commencing at a point in the centerline of State Route 235 at the northeast corner of Helen E. Brazier's 2.747 acre tract as described in O. R. Vol. 239 Page 137..

Thence with the centerline of said S. R. 235 N. 17°07' 00" W. 32.44 feet to a point for the place of beginning.

Thence S. 81° 11' 22" W. 155.50 feet to a point.

Thence S. 10°18' 43" W. 11.67 feet to the north line of said Brazier's 2.747 acre tract.

Thence with said Brazier's north line S. 88° 30' 46" W. 26.33 feet to a point.

Thence N. 27°28' 29" E. 29.05 to a point.

Thence N. 81° 34' 35" E. 166.11 feet to a point in the centerline of said S. R. 235.

Thence with said centerline S. 17° 07' 00" E. 14.78 feet to the place of beginning.

The above described easement is on Darthea H. Brown's original 5.515 acre tract as described in O. R. Vol. 230 Page 214.

Bearings are based on an assumed bearing (N. 17°07' 00" W.) for the centerline of S. R. 235 in this field survey by Leslie H. Geeslin, Reg. Surveyor No. 5248, on April 6, 1999.



INDEXED ON MAP
80785D

Leslie H. Geeslin

DARTHEA H. BROWN
 ORIG 5.515 AC.
 OR VOL. 230 PG 214



N. 81° 34' 35" E. 166.11'

EASEMENT

S. 81° 11' 22" W. 155.50'

S. 88° 30' 46" W. 26.33'

S. 10° 18' 43" W. 11.67'

165.36'

66.98'

HELEN E. BRAZIER
 2.747 AC.
 OR VOL. 239 PG 137

RIGHT OF WAY

STATE ROUTE 235

14.78'
 32.44'
 N. 17° 07' 00" W.

DRIVEWAY EASEMENT FOR H. BRAZIER
 ON ORIG. 5.515 AC. TRACT IN NANCY
 STEWART SECTION, WASHINGTON
 TOWNSHIP, LOGAN COUNTY, OHIO.

APRIL 6, 1999
 SCALE: 1" = 30'



FILED ON 11/25
 80785P

Leslie H. Geeslin
 LESLIE H. GEESLIN
 RUSHsylvania, OHIO