

C. H. No. 153

60' R/W.

Plan L-24 Page 6

Michael E. & Joan E. Failor H/W
 O.R. Vol. 57 P. 281 (2-1-1988)
 Per. Par. No. 12-109-00-00-057

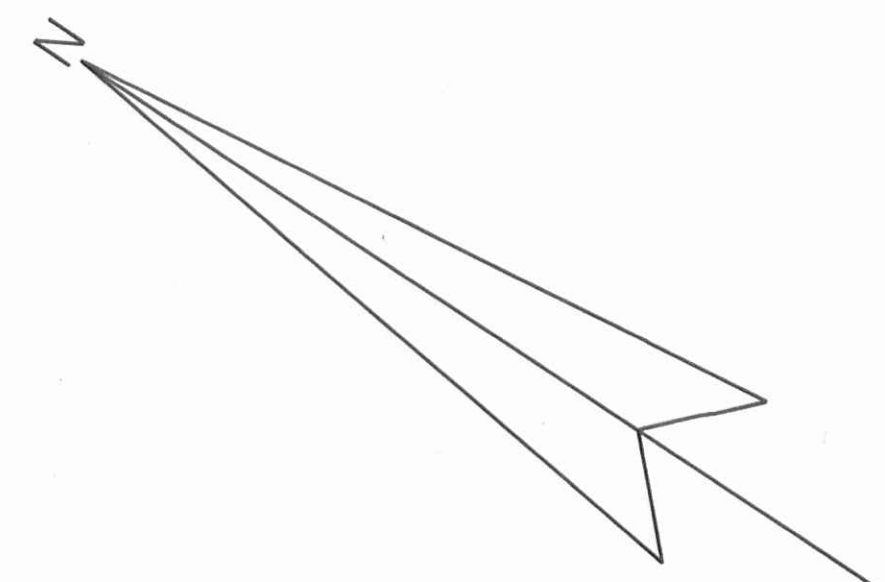
4.820 Acres
 - 2.012
 2.808 Acres

ZANESFIELD CEMETERY

Per. Par. No. 12-109-00-00-056

Curtis Black
 Vol. 236 P. 12
 Per. Par. No. 12-109-00-00-061
 178.52 Acres

To Jefferson Township Trustees
 87,634.125^{sq}
 or
 2.012 Acres



•-5/8"x30" Rebars Set.

INDEXED ON MAP
 5560



Michael E. Failor Survey V.M.S. No. 3137, Jefferson Township, Logan County, Ohio.	
SCALE: 1" = 50'	APPROVED BY:
DATE: 5-27-1988	DRAWN BY: DEG
REVISER:	
<i>Daniel E. Gilbert</i> Daniel E. Gilbert, P.S. Reg. Sur. No. 5402	
DRAWING NUMBER 088 - 031	

S-697