

Survey Notes in Logan County Surveyors Book No. 49  
Concrete R/W. Posts set as shown  
Surveyed by F.F. Wright & E.K. Corc  
Drawn by F.F. Wright  
40' Road Surveyors Book 49 Page 33

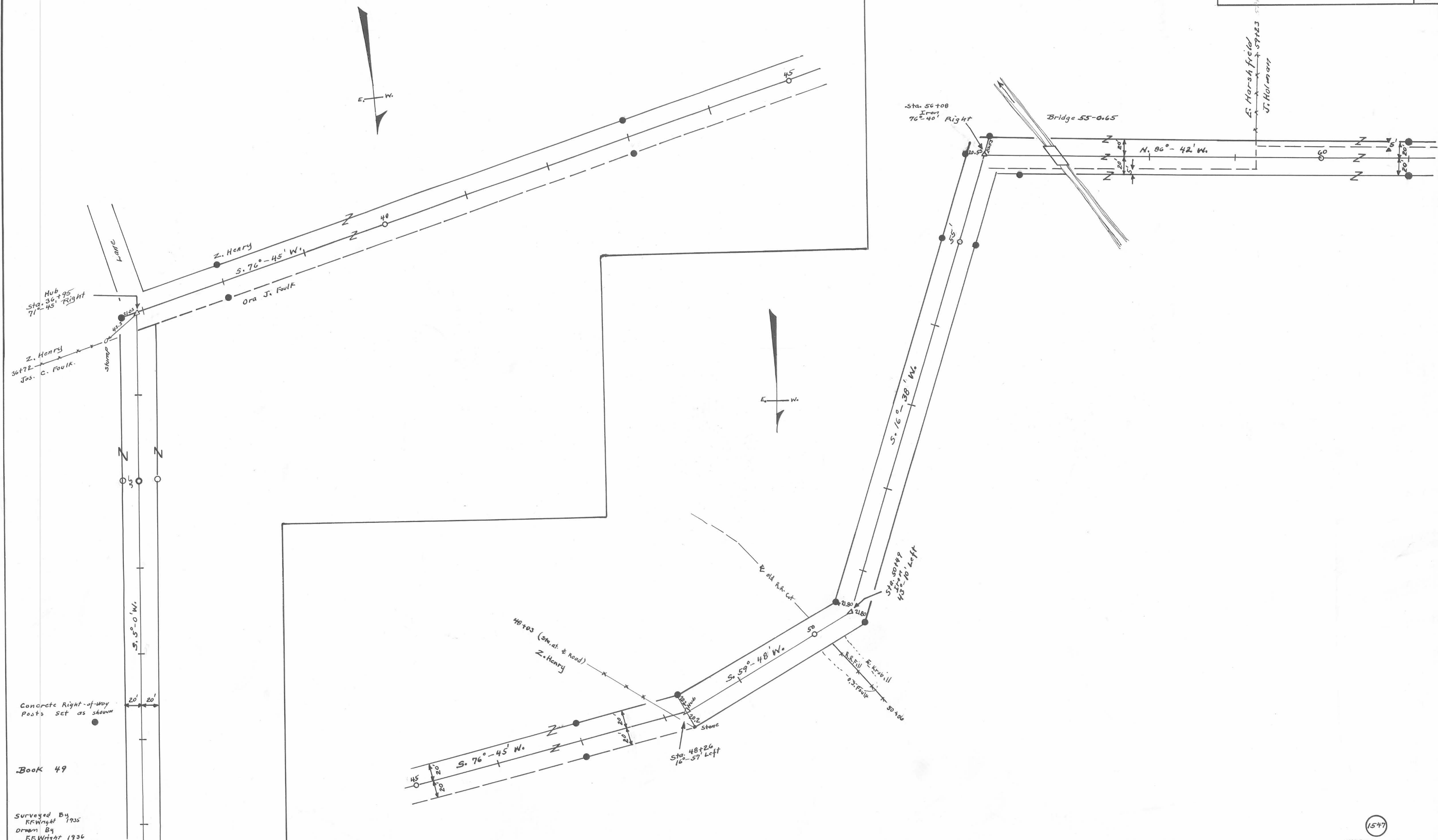
INDEXED ON MAP

Surveyed By F.F. Wright 1935  
Drawn By F.F. Wright 1936

ROAD 55

X-55 B

X-55 B



Hub  
 sta. 36+95  
 71°-45' Right

Z. Henry  
 36+72  
 Jos. C. Faulk.

Lane

Z. Henry  
 S. 76°-45' W.  
 Ora J. Faulk

S. 5°-0' W.

Concrete Right-of-Way  
 Posts Set as shown

Book 49

Surveyed By  
 F.F. Wright 1935  
 Drawn By  
 F.F. Wright 1936



Sta. 56+08  
 Iron  
 76°-40' Right

Bridge 55-0.65

N. 86°-42' W.

E. Harshfield  
 J. Holmery

S. 16°-38' W.

E. old R.R. cut

46+05 (Sta. at E. Road)  
 Z. Henry

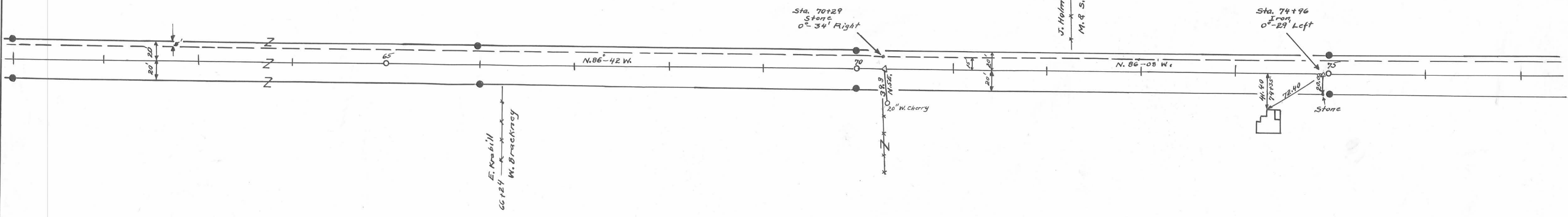
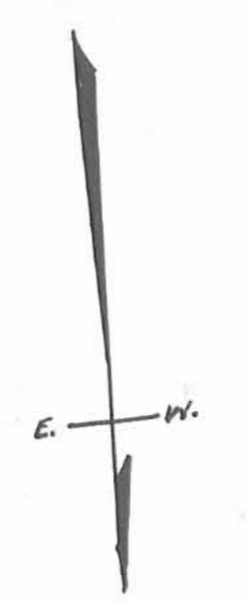
S. 59°-48' W.

E. Kravill  
 0.3. Faulk

S. 76°-45' W.

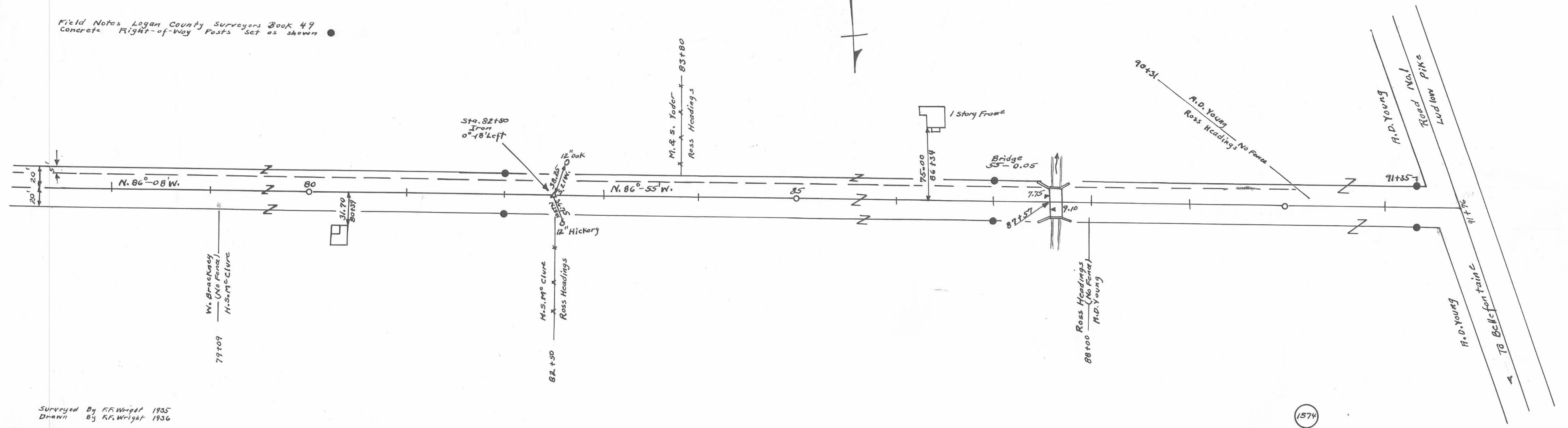
Sta. 48+26  
 16°-57' Left





Length 9176 Foot  
 Length 1.74 Miles

Field Notes Logan County Surveyors Book 49  
 Concrete Right-of-Way Posts Set as shown



Surveyed By R.F. Wright 1935  
 Drawn By R.F. Wright 1936

1574  
 INDEXED ON MAP